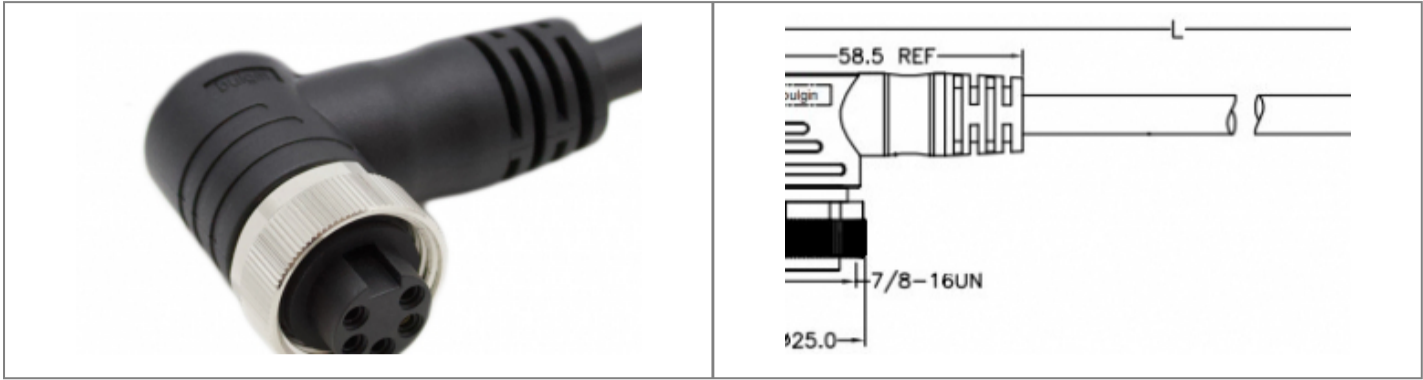


PXPTPU78RAF05ACL020PUR Datasheet

Product Name // 5 Contacts 7/8" Right Angled Female 2m Cable

[View Product Page](#)



// Product Description:

- 5 Contacts 7-8" Right Angled Female 2m Cable
- Operating Temperature= -25°C to +85°C
- IP67 rated when mated
- Rated Voltage 300 V
- Mechanical Cycles >100
- ROHS compliance

// General Information:

<p>Product Display Title:</p> <p>Product Family:</p> <p>Product Series:</p> <p>Cable Length:</p> <p>Connection Method:</p> <p>Contact Type:</p> <p>Current Max:</p> <p>Durability:</p> <p>Function:</p> <p>Insulation Resistance:</p> <p>Ip Rating:</p> <p>Max Cable Entry Size:</p> <p>Max Operating Temperature:</p> <p>Min Operating Temperature:</p> <p>Number Of Contacts:</p> <p>Pin Layout Code:</p> <p>Rohs Compliant:</p> <p>Thread Size:</p> <p>Voltage Max:</p>	<p>7/8" Right Angled Female 2m Cable</p> <p>Circular Automation Connectors</p> <p>7/8" Series</p> <p>2m</p> <p>Solder</p> <p>Socket Contact</p> <p>9A</p> <p>>100 Cycles</p> <p>Right Angled Female Connector Single Ended Cable</p> <p>>100MOhm</p> <p>IP67</p> <p>8.5mm</p> <p>+80°C</p> <p>-25°C</p> <p>5 Contacts</p> <p>A Code</p> <p>Yes</p> <p>7/8-16UN</p> <p>300V</p>
---	--

// Product PDF Links

[78 Series Circular connectors...](#)