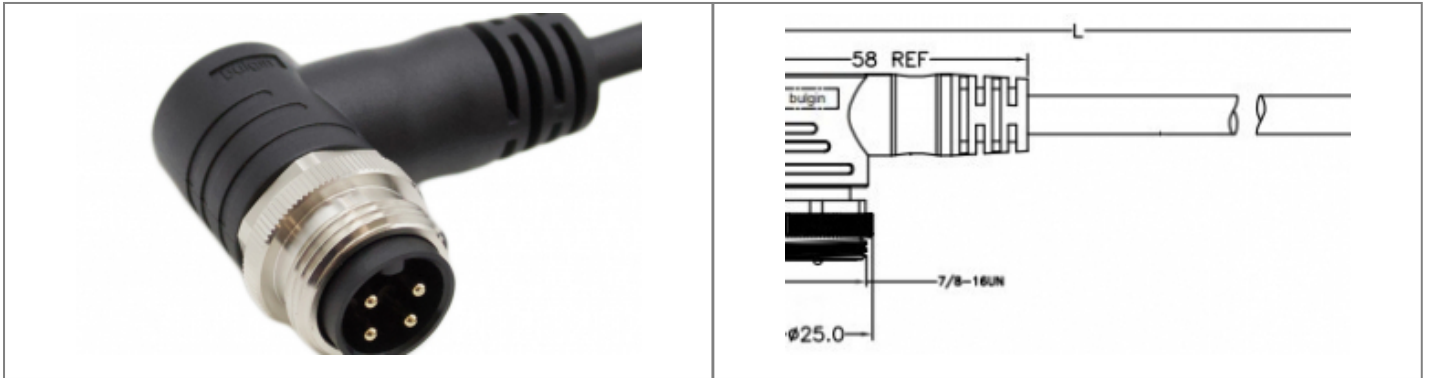


## Product Name // 4 Contacts 7/8" Right Angled Male 1m Cable

[View Product Page](#)


### // Product Description:

- ⊞ 3 Contacts 7-8" Right Angled Male 1m Cable
- ⊞ IP67 rated when mated
- ⊞ Mechanical Cycles >100
- ⊞ Operating Temperature -25Å°C to +85Å°C
- ⊞ Rated Voltage 300 V
- ⊞ ROHS compliance

### // General Information:

Product Display Title:	7/8" Right Angled Male 1m Cable
Product Family:	Circular Automation Connectors
Product Series:	7/8" Series
Cable Length:	1m
Connection Method:	Solder
Contact Type:	Plug Contact
Current Max:	8A
Durability:	>100 Cycles
Function:	Right Angled Male Connector Single Ended Cable
Insulation Resistance:	>100MΩ
Ip Rating:	IP67
Max Cable Entry Size:	7.0mm
Max Operating Temperature:	+80°C
Min Operating Temperature:	-25°C
Number Of Contacts:	4 Contacts
Pin Layout Code:	A Code
Rohs Compliant:	Yes
Thread Size:	7/8-16UN
Voltage Max:	300V

### // Product PDF Links

[78 Series Circular connectors...](#)