



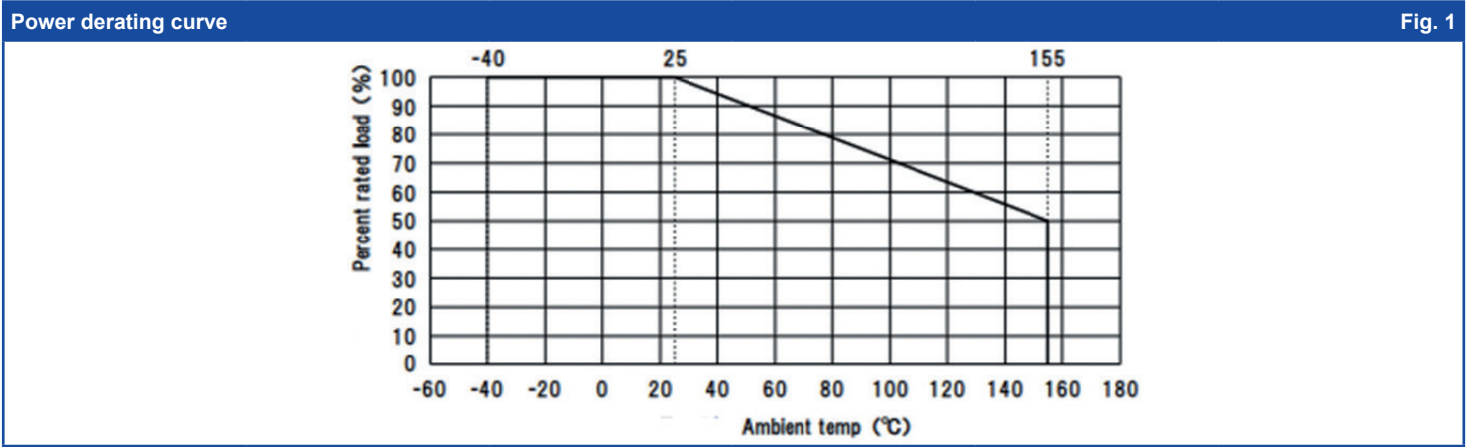
- Intrinsically safe
- Aluminium housed
- Pre-charge & discharge resistors
- AEC-Q200 automotive grade\*
- Power ratings from 80W to 300W
- Resistance ranges from 5Ω to 200Ω
- Tolerances of 1%, 5% & 10%
- High voltage cable for electric & hybrid vehicles

RoHS  
Compliant ✓

Technical Data							Table 1
Type	XV4-A80 / XV4-B80	XV4-A100 / XV4-B100	XV4-A120 / XV4-B120	XV4-A150 / XV4-B150	XV4-A200 / XV4-B200	XV4-A300 / XV4-B300	
Power rating	80W	100W	120W	150W	200W	300W	
Resistance range	5Ω ~ 200Ω						
Resistance tolerance	± 1%, ± 5%, ± 10%						

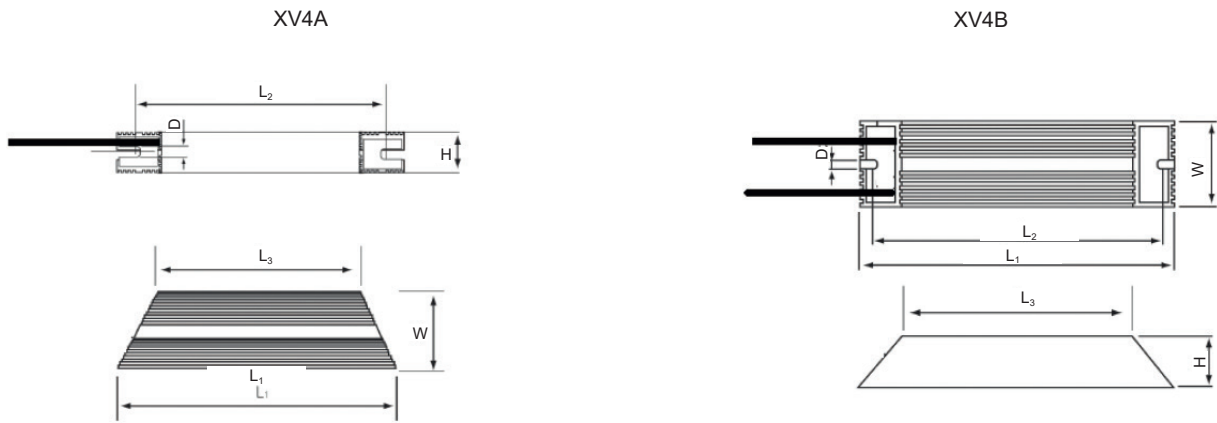
Performance Data		Table 2
Power	80W ~300W	
TCR	80W ~ 200W: 220ppm/ °C ; 300W: 260ppm/°C	
Resistance range	5Ω ~ 200Ω	
Operating voltage	≥ 1000VDC	
Max. operating voltage	1500VDC	
Maximum current	15A	
Dielectric voltage	2500V	
Insulation resistance	1MΩ	
Operating temperature	-40 ~ 155°C ± 2% +0.05Ω	
Load life	200,000 cycles ± 3% +0.05Ω	
Short duration	200ms @ 15A ± 2% +0.05Ω	
Mechanical vibration	100G, 6ms Half sine, 3 times/axis, Total 6 axis ± 1% +0.05Ω	
Short time overload	10X for 5sec ± 2% +0.05Ω	
Short circuit	Pulse Duration: 200ms. Cycle time: 2sec 1 time: 5 cycles. Total: 5 times ± 2% +0.05Ω	
Terminations	200 ± 10mm. High voltage cable, Cu-R4XLPO-HV-3.0mm <sup>2</sup> (-40°C ~ +150°C / 3000hr)	

\*This product has undergone rigorous AEC-Q200 testing and is certified in the 100W, 100ohm, +/-5% variant. If you need more detailed information around AEC-Q200 testing for specific resistance values, please contact our team of engineers.



Dimensions (mm)

Fig. 2

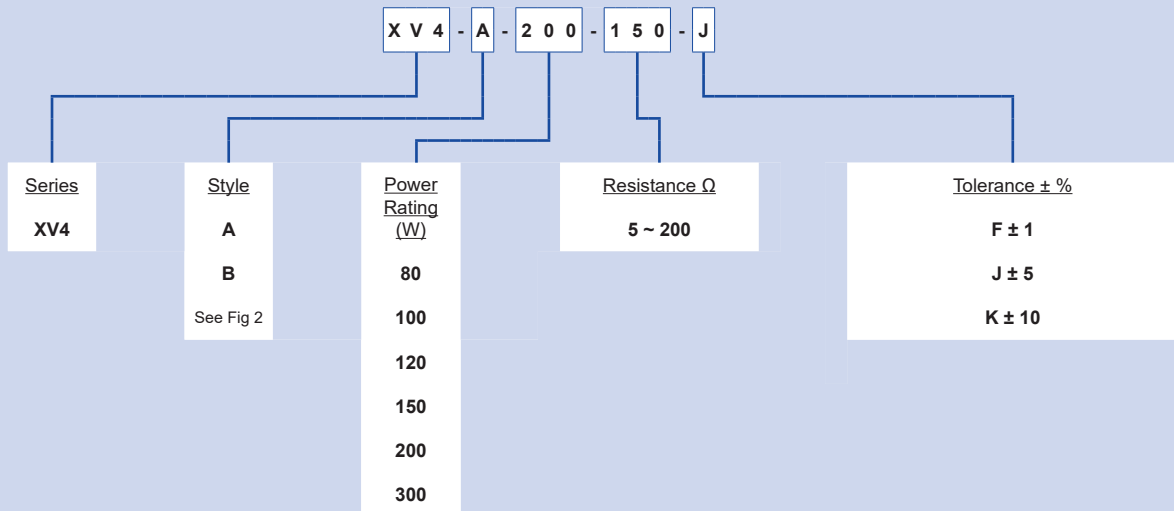


Dimensions (mm)

Table 3

Type	L <sub>1</sub> ±2	L <sub>2</sub> ±2	L <sub>3</sub> ±2	W ±0.5	H ±0.5	D ±0.5
XR4-A80 / XR4-B80	150	137	110	41	22	4.3
XR4-A100 / XR4-B100	165	152	125	41	22	4.3
XR4-A120 / XR4-B120	182	169	142	41	22	4.3
XR4-A150 / XR4-B150	210	197	170	41	22	4.3
XR4-A200 / XR4-B200	165	146	125	60	30	5.3
XR4-A300 / XR4-B300	215	196	175	60	30	5.3

### Example Ordering Code



\*AEC-Q200: This product has undergone rigorous AEC-Q200 testing and is certified in the 100W, 100ohm, +/-5% variant. If you need more detailed information around AEC-Q200 testing for specific resistance values, please contact our team of engineers.