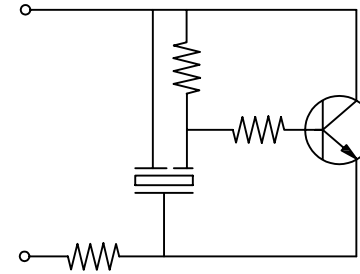


THIS DOCUMENT CONTAINS DATA PROPRIETARY TO PROJECTS UNLIMITED, INC. ANY USE OR REPRODUCTION, IN ANY FORM, WITHOUT PRIOR WRITTEN PERMISSION OF PROJECTS UNLIMITED, INC. IS PROHIBITED.
© 2003, Projects Unlimited Inc.

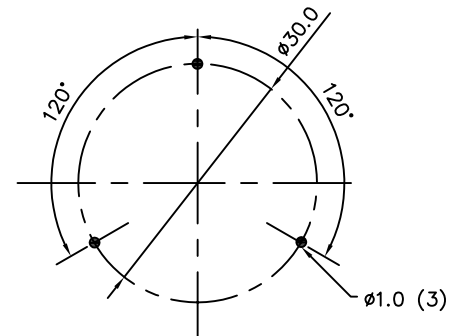
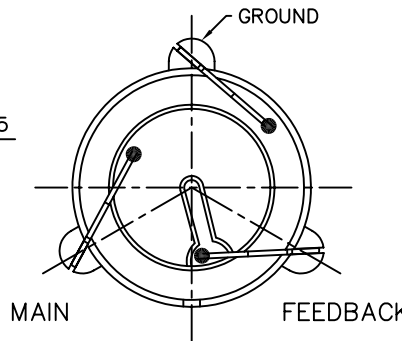
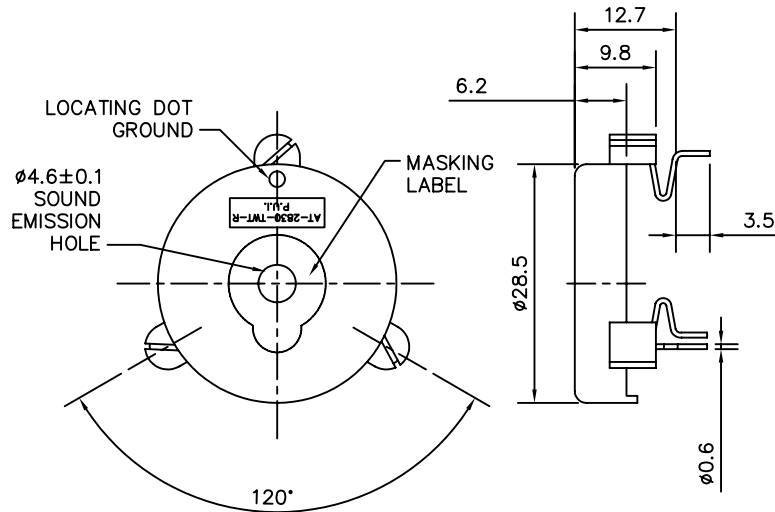
SPECIFICATIONS

PARAMETERS	VALUES	UNITS
RATED VOLTAGE (SQUARE WAVE)	12	V _{p-p}
OPERATING VOLTAGE RANGE	3 ~ 28	V _{p-p}
RATED CURRENT (MAX)	8	mA
CAPACITANCE	20,000±30%	pF
MINIMUM SPL @ 10 CM	93	dBA
RESONANT FREQUENCY	3,000±500	Hz
OPERATING TEMPERATURE	-30 ~ +85	°C
STORAGE TEMPERATURE	-40 ~ +95	°C
HOUSING MATERIAL	ABS	-
TERMINAL MATERIAL	Au PLATED PHOSPHER BRONZE	-
WEIGHT	3.7	grams

REVISIONS			
LTR	DESCRIPTION	DATE	APPROVED
-	RELEASED FROM ENGINEERING	9/12/05	



BASIC DRIVING CIRCUIT (FOR TESTING ONLY)




P.C. PIN HOLE PATTERN

NOTES:

1. ALL DIMENSIONS ARE IN MILLIMETERS.
2. SPECIFICATION SUBJECT TO CHANGE OR WITHDRAWAL WITHOUT NOTICE.
3. THIS PART IS RoHS 2002/95/EC COMPLIANT.
4. PART WASHABLE USING DEIONIZED WATER, OR PURE ISOPROPYL ALCOHOL.

FILE NAME
AT-2830-TWT-R.DWG

UNLESS OTHERWISE SPECIFIED: DIMENSIONS ARE IN MILLIMETERS, TOLERANCES ARE ±0.5 AND ANGLES ARE ±3°.		 projects® unlimited Dayton, Ohio	
APPROVALS DRAWN <i>J. A. F.</i> 9/05 APPROVED <i>E. P.</i> 9/05 <i>B. R.</i> 9/05		TRANSDUCER(PIEZO) AT-2830-TWT-R DRAWING NO. AT-2830-TWT-R	
DO NOT SCALE DRAWING		SIZE A	SHEET 1 OF 1
		SCALE: N.T.S.	