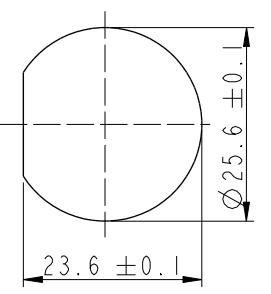
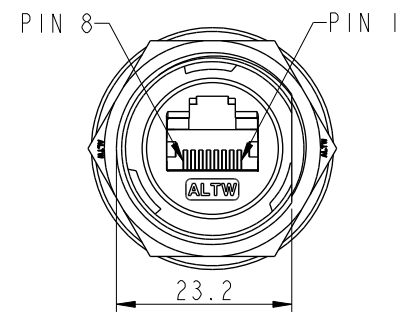
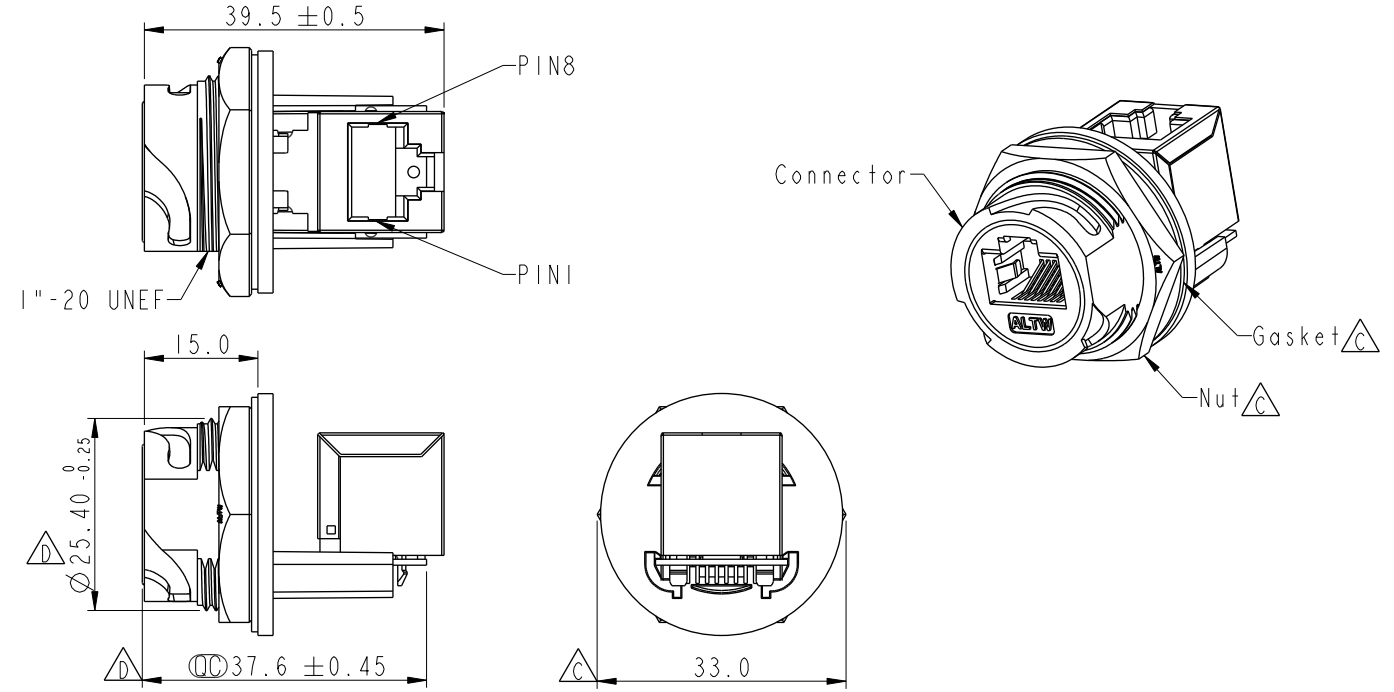


THIS DOCUMENT IS SUBJECT TO CHANGE WITHOUT NOTICE. IT IS CONFIDENTIAL AND A PROPERTY OF AMPHENOL LTW. DISCLOSURE TO THIRD PARTY HAS TO BE AUTHORIZED BY AMPHENOL LTW.

REV.	ECN NO.	DATE	SIGN	DESCRIPTION
D	LEN1810063	2017/11/29	Jalam	Change The Tolerance
E	C190405	2019/03/15	Ruru	Modify Note
F	C220800	2022/06/02	Vicky	△ F X2



Recommended Panel Cut-Out

- △ E △ F Note:
- * RoHS Compliant
 - * Ⓞ Important dimension
 - * Waterproof rate: IPX7, unmated
 - * Connector Housing: Thermoplastic, Black, RJ45 jack, shielded
 - * Nut: Thermoplastic, Black
 - △ C * Gasket: Rubber, Gray
 - * Use with waterproof cap or dust cap
Panel thickness max: 1.3mm
 - * Use without waterproof cap or dust cap
Panel thickness max: 2.5mm
 - * Gasket and nut are packed separately in pe bag

UNIT: mm		TITLE			Amphenol LTW 安費諾亮泰企業股份有限公司	ITEM NO.	DRAWN BY	DATE
		RJ, D PLASTIC, C5E SHLD FRONT FASTENED, F, PNL JACK R, 3LOCK				RDP-5SPFFV-TCU7001	Ruru	2019-03-15
TOLERANCE		SCALE	SIZE	SHEET	OF	DWG NO.	CHECKED BY	DATE
.X ±0.25		1:1	A4	1	1	RDP-5SPFFV-TCU7001	Rita	2019-03-15
.XX ±0.1		REV.	WC-REV.			CUSTOMER	APPROVED BY	DATE
.XXX ±0.05		F	A.8			ALTW	Max	2019-03-15
ANGLES ±1°								