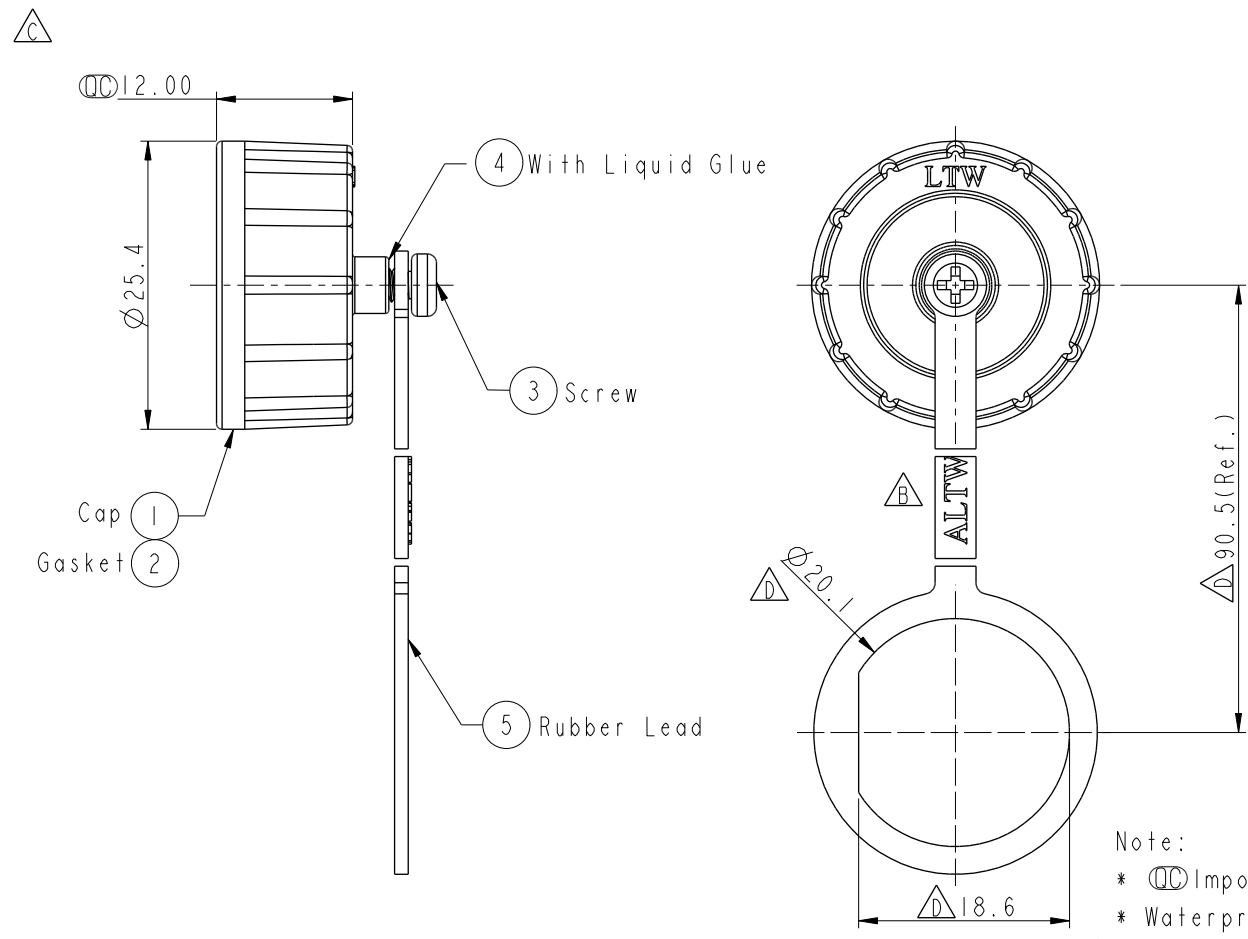


THIS DOCUMENT IS SUBJECT TO CHANGE WITHOUT NOTICE. IT IS CONFIDENTIAL AND A PROPERTY OF Amphenol LTW. DISCLOSURE TO THIRD PARTY HAS TO BE AUTHORIZED BY Amphenol LTW.

REV.	ECN NO.	DATE	SIGN	DESCRIPTION
B	LEN1480129	2014/08/06	Vicky	Change Logo
C	C202032	2020/12/24	Ruru	$\triangle C$ X4
D	C230202	2023/02/16	Vicky	$\triangle D$ X3



- Note:
- \*  $\text{CC}$  Important Dimension.
  - \* Waterproof Rate: IP67
  - $\triangle C$  \* Cap: Metal
  - $\triangle C$  \* Gasket: Rubber, Black
  - \* Rubber Lead: Hytrel, Black
  - \* Screw is not allowed to tight (Chain be revolve)
- 不可將螺絲鎖緊, (鏈條要可旋轉)

UNIT: mm		
TOLERANCE		
.X	±0.25	
.XX	±0.1	
.XXX	±0.05	
ANGLES	±1°	

TITLE ACC, CERES, WP CAP SCREW, W/RB LEAD $\triangle C$			
SCALE 3:2	SIZE A4	SHEET 1 OF 1	
REV. D	WC-REV. A.1	$\text{CC}$ : Inspection item	

**Amphenol LTW**  
安費諾亮泰企業股份有限公司

ITEM NO. CAP-WACMSPC2	DRAWN BY Vicky	DATE 2014-08-06
DWG NO. CAP-WACMSPC2	CHECKED BY Sam	DATE 2014-08-06
CUSTOMER ALTW	APPROVED BY Rita	DATE 2014-08-06