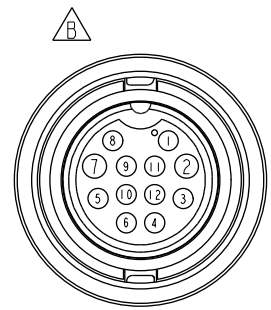
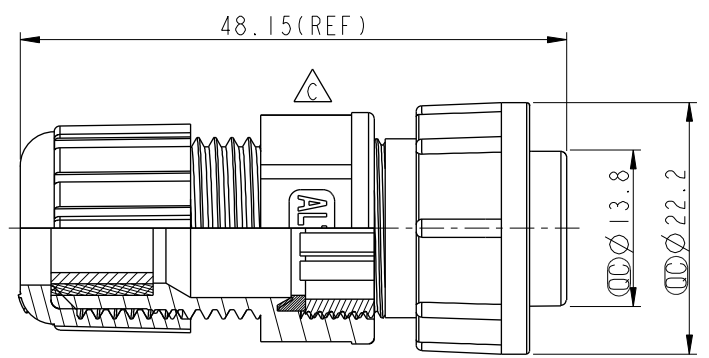
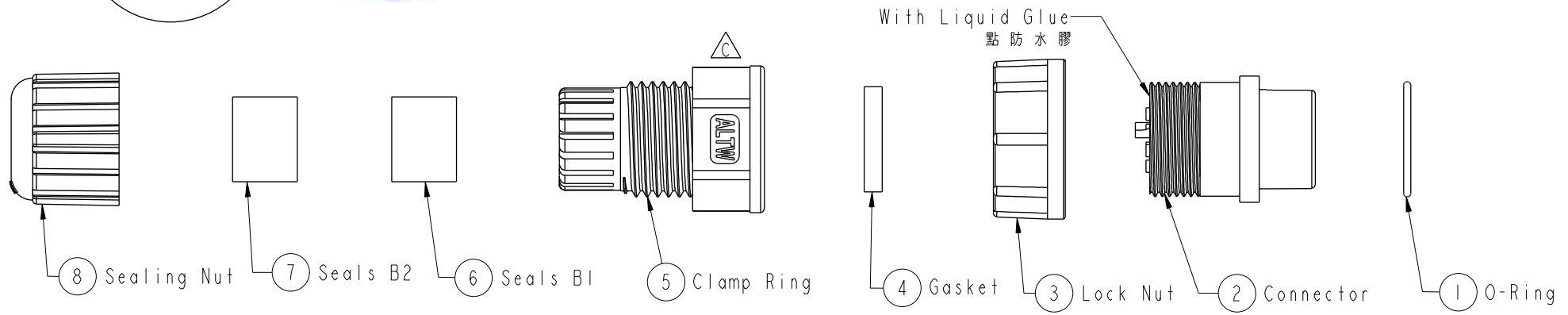


THIS DOCUMENT IS SUBJECT TO CHANGE WITHOUT NOTICE. IT IS CONFIDENTIAL AND A PROPERTY OF Amphenol LTW. DISCLOSURE TO THIRD PARTY HAS TO BE AUTHORIZED BY Amphenol LTW.

REV.	ECN NO.	DATE	SIGN	DESCRIPTION
B	LEN-9C0058	2009/12/01	Kevin	Change Pin Assignments
C	LEN1741324	2017/04/24	Ruru	Change Logo



- Note:
- \*  $\varnothing$  Important Dimension To Check.
  - \* Waterproof Rate: IP67
  - \* Connector: Nylon+GF, Black
  - \* Male Pin: Copper Alloy, Gold Plated
  - \* Lock Nut: Nylon+GF, Black.
  - \* O-Ring: EPDM, Black.
  - \* Gasket: Silicone, Black
  - \* Clamp Ring: Nylon, Black
  - \* Sealing-Nut: Nylon, Black.
  - \* Seals: EPDM, Black
  - \* Seals B1 for Cable OD:  $\varnothing 7.6\text{mm} \sim \varnothing 9.6\text{mm}$
  - \* Seals B2 for Cable OD:  $\varnothing 4.0\text{mm} \sim \varnothing 7.6\text{mm}$
  - \* One Set Unassembled in One PE Bag.  
(每一組未組裝，放置於一個PE袋，並封口)

UNIT: mm		TITLE 12Pin Female Connector Male Pin(5A+2A)			<h1>Amphenol LTW</h1> <p>安費諾亮泰企業股份有限公司</p>	ITEM NO CDU-12BFMA-LL7001	DRAWN BY Ruru	DATE 2017-04-24
		SCALE 1:1	SIZE A4	SHEET 1 OF 1		DWG NO CDU-12BFMA-LL7001	CHECKED BY Rita	DATE 2017-04-24
TOLERANCE .X ±0.25 .XX ±0.1 .XXX ±0.05 ANGLES ±1°		REV. C	WC-REV. A.2	$\varnothing$ : Inspection item	CUSTOMER ALTW	APPROVED BY Max	DATE 2017-04-24	

A B C D E F