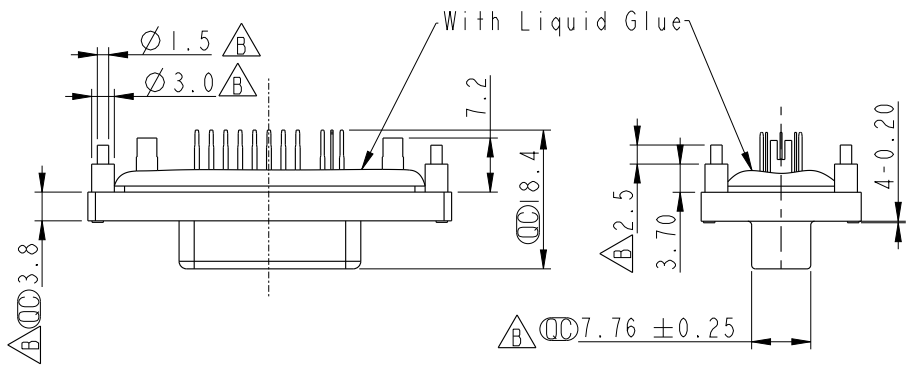
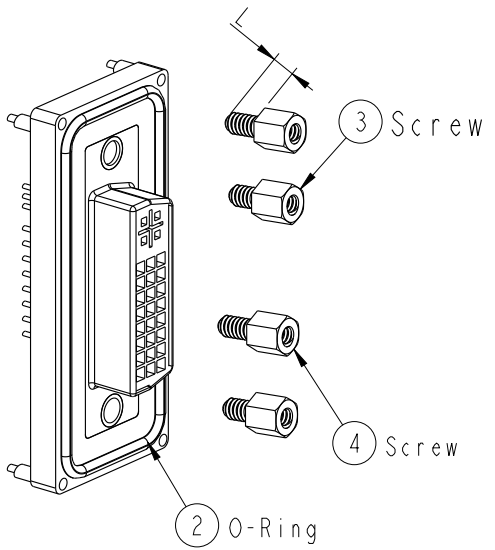
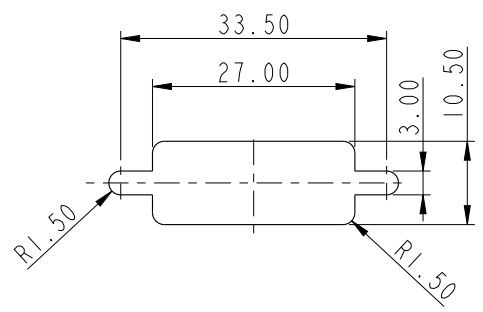
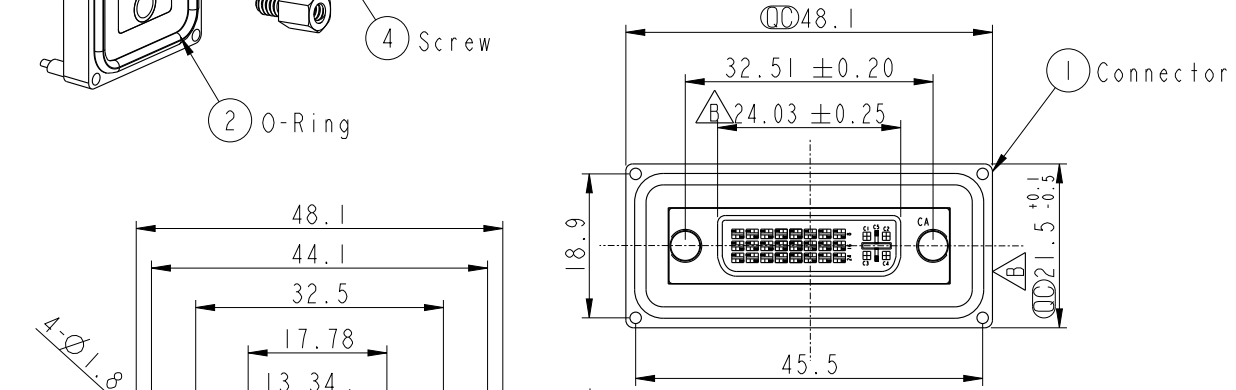


REV.	ECN NO.	DATE	SIGN	DESCRIPTION
A	Initial Release	2016-10-24	Joyy	Change Rev.01 To Rev.A
B	C210385	2021-03-21	Xiaofeng	$\triangle B$ X7



- ③ Screw L=5.0 For Panel Thickness Under 1.2mm  
適用板厚為 1.2mm 以下
- ④ Screw L=6.0 For Panel Thickness Between 1.2~2.0mm  
適用板厚為 1.2~2.0mm



Recommended Panel Cut-Out  
建議挖孔尺寸

- Note:
- \*  $\text{⌀}$  Important Dimension.
  - \* Waterproof Rate: IP68
  - \* DVI Conn.: Nylon66, Black Core
  - \* Plastic Jacket: Nylon+GF, Black
  - \* Pin: Copper Alloy, Gold Plated
  - \* O-Ring: Silicone, Black
  - \* Screw: Copper Alloy, Nickel Plated, #4-40 UNC
  - \* For PCB Thickness: Max=2.0mm

Recommended PCB Lay\_out

UNIT: mm		TITLE			ITEM NO	DRAWN BY	DATE
		Female DVI Connector(24+5)			DID-29PFFP-SL8001	Joyy	2016-10-24
TOLERANCE		SCALE	SIZE	SHEET	OF	CHECKED BY	DATE
.X	±0.25	1:1	A4	1	1	Ma Fei	2016-10-24
.XX	±0.1	REV.	WC-REV.	$\text{⌀}$ : Inspection item		APPROVED BY	DATE
.XXX	±0.05	B	A.2	Amphenol LTW 安費諾亮泰企業股份有限公司		Jerry	2016-10-24
ANGLES	±1°			CUSTOMER	ALTW		

THIS DOCUMENT IS SUBJECT TO CHANGE WITHOUT NOTICE. IT IS CONFIDENTIAL AND A PROPERTY OF Amphenol LTW. DISCLOSURE TO THIRD PARTY HAS TO BE AUTHORIZED BY Amphenol LTW.