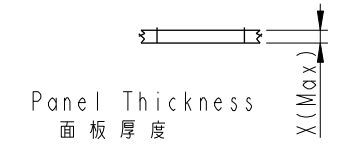
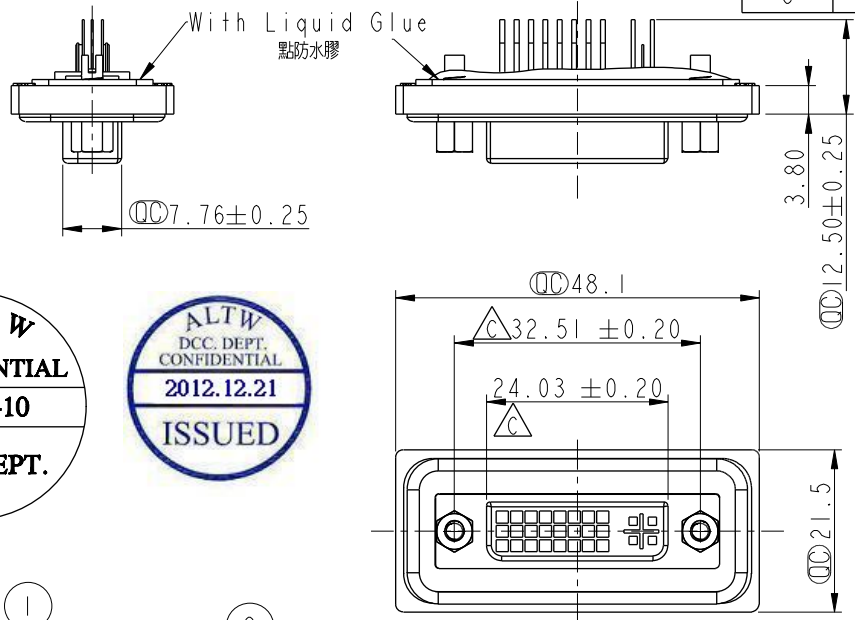
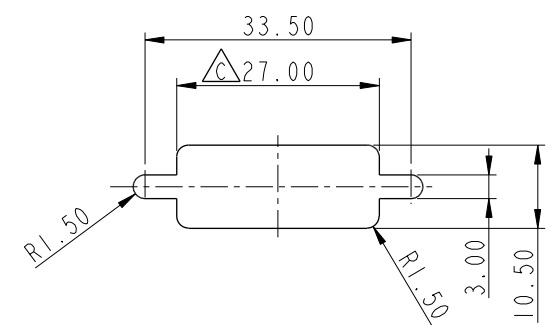


REV.	ECN NO.	DATE	SIGN	DESCRIPTION
A		2005/11/16	DAVID	Released Rev.A
B	LE3-710146	2006/12/13	Gao Ling	Move O-ring to ZSE00100842
C	LEN12C0092	2012/12/10	Ruru	Modify Dimension

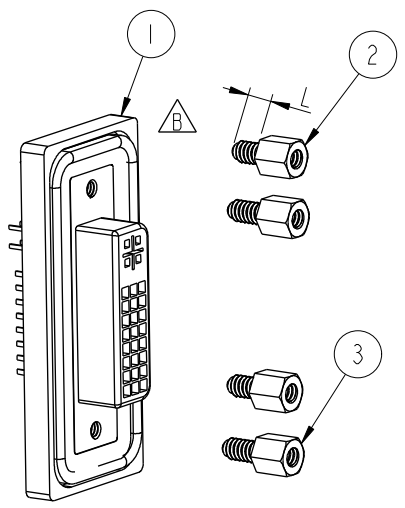
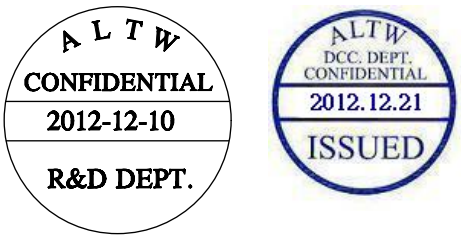


Screw L=5.0 For Panel Thickness Under 1.2mm
適用板厚為 1.2mm 以下

Screw L=6.0 For Panel Thickness Between 1.2~2.0mm
適用板厚為 1.2~2.0mm



Recommended Panel Cut-Out
建議挖孔尺寸



- Note:
- * \varnothing Important Dimension.
 - * Waterproof Rate : IP68
IP68: 1M of depth of water 24 hours
(防水等級 : IP68)
(IP68: 1 米水深 24 小時)
 - * Do Mating Test After Glued
點膠後, 須作對插測試
 - * Add glue can't highly exceed pin
(點膠高度不得蓋過pin針)
 - * DVI Conn. : Black Core , Nylon66
 - * Plastic Jacket : Black , Nylon+GF
 - * Pin : Copper Alloy , Gold Plated
 - * Ring : Light Blue, Silicone
 - * Screw : Copper Alloy, Nickel Plated, #4-40 UNC

UNIT:mm		TITLE	Female DVI2S Connector(24+5)		
TOLERANCE		SCALE	SIZE	SHEET	OF
.X ±0.25		1:1	A4	1	1
.XX ±0.1		REV.	WC-REV.	\varnothing	Inspection item
.XXX ±0.05		C	B.3		
ANGLES ±1					

Amphenol LTW
安費諾亮泰企業股份有限公司

ITEM NO	DID-29PFFS-SL8001	DRAWN BY	Ruru	DATE	2012-12-19
DWG NO	DID-29PFFS-SL8001	CHECKED BY	Rita	DATE	2012-12-19
CUSTOMER	ALTW	APPROVED BY	Maslow	DATE	2012-12-19

THIS DOCUMENT IS SUBJECT TO CHANGE WITHOUT NOTICE. IT IS CONFIDENTIAL AND A PROPERTY OF Amphenol LTW. DISCLOSURE TO THIRD PARTY HAS TO BE AUTHORIZED BY Amphenol LTW.