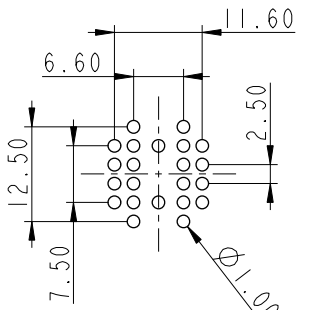
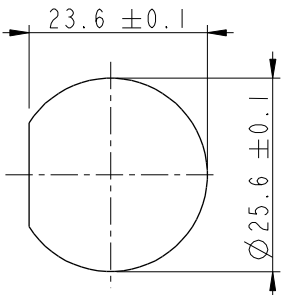


THIS DOCUMENT IS SUBJECT TO CHANGE WITHOUT NOTICE. IT IS CONFIDENTIAL AND A PROPERTY OF Amphenol LTW. DISCLOSURE TO THIRD PARTY HAS TO BE AUTHORIZED BY Amphenol LTW.

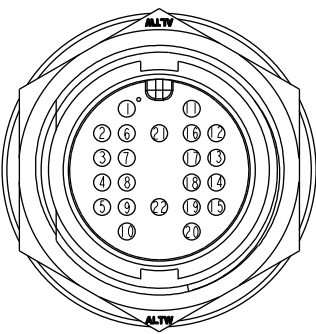
REV.	ECN NO.	DATE	SIGN	DESCRIPTION
C	LEN1510087	2014/12/29	Sam	Update Logo.
D	LEN1650019	2016/04/26	Ruru	Modify Nut View & Logo & Dimension
E	CI90314	2019/03/12	Ruru	Modify Note



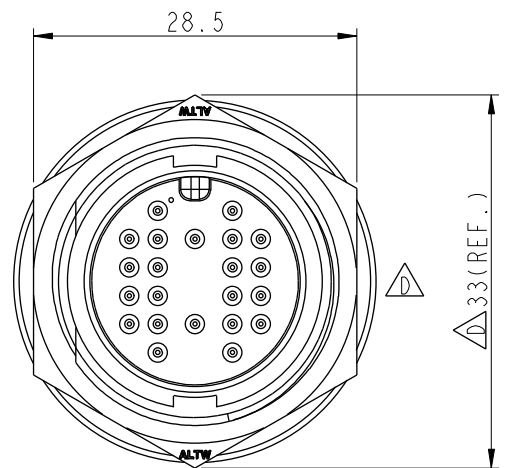
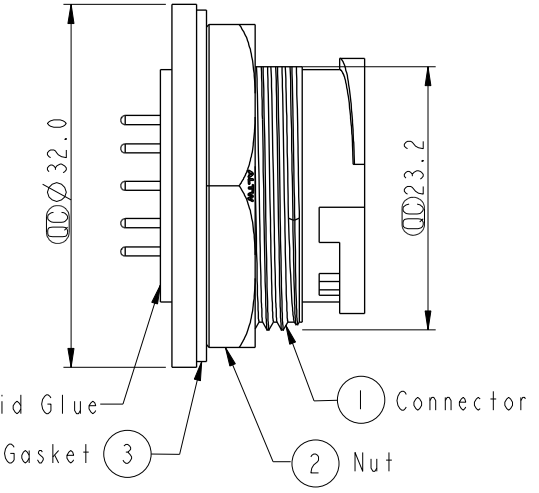
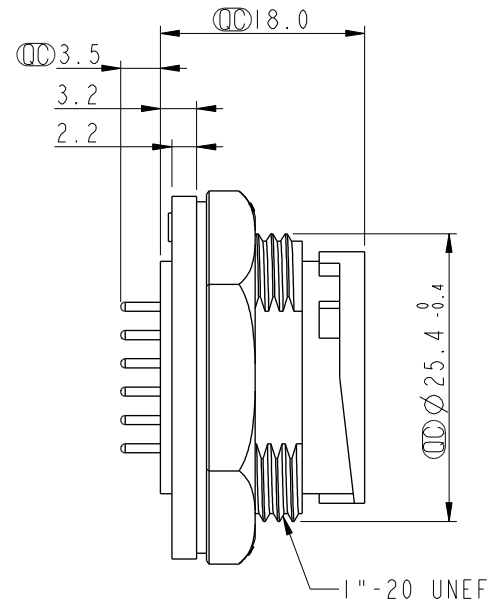
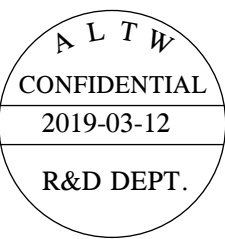
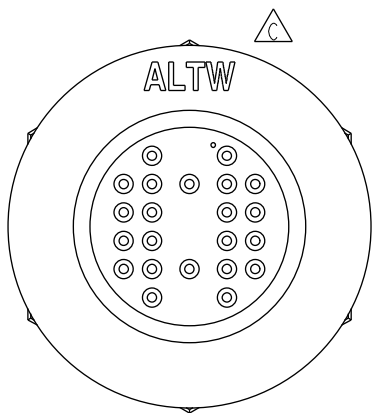
PCB Layout



Recommended Panel Cut-Out



Pin Assignments Front View



NOTE:

- * Important Dimension.
- * Waterproof Rate: IP67, Unmated
- * Housing: Thermoplastic, Black
- * Pin: Copper Alloy, Gold Plated
- * Nut: Thermoplastic, Black
- * Gasket: Rubber, Black
- * Use Waterproof Cap or Dust Cap
Panel Thickness Max: 3.0mm
- * Use without Waterproof Cap or Dust Cap
Panel Thickness Max: 4.0mm
- * Gasket and Nut are packed separately in PE bags.

UNIT:mm		
TOLERANCE	.X ±0.25	
	.XX ±0.1	
	.XXX ±0.05	
ANGLES	±1°	

TITLE 22Pin Male Connector Male Pin(2A)			
SCALE 1:1	SIZE A4	SHEET 1 OF 1	
REV. E	WC-REV. A.2	: Inspection item	

Amphenol LTW
安費諾亮泰企業股份有限公司

ITEM NO DU-22PMMP-LC7001	DRAWN BY Ruru	DATE 2019-03-12
DWG NO DU-22PMMP-LC7001	CHECKED BY Rita	DATE 2019-03-12
CUSTOMER ALTW	APPROVED BY Max	DATE 2019-03-12