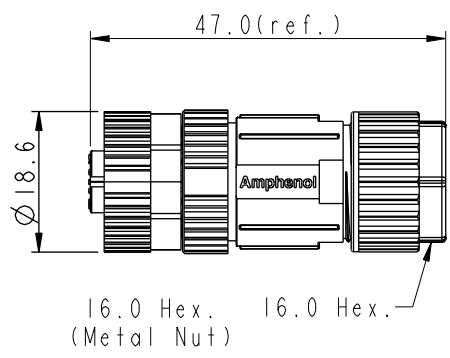
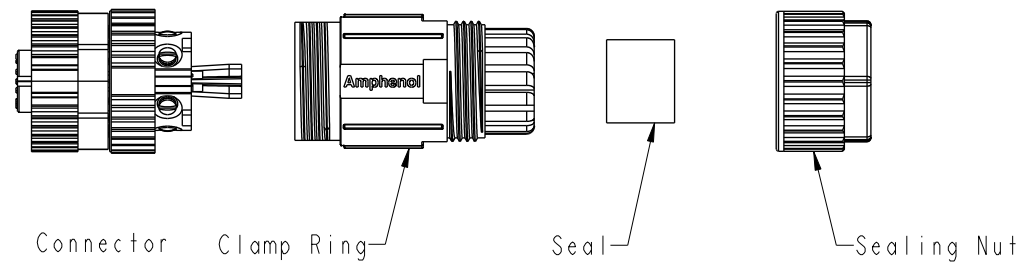


THIS DOCUMENT IS SUBJECT TO CHANGE WITHOUT NOTICE. IT IS CONFIDENTIAL AND A PROPERTY OF AMPHENOL LTW. DISCLOSURE TO THIRD PARTY HAS TO BE AUTHORIZED BY AMPHENOL LTW.

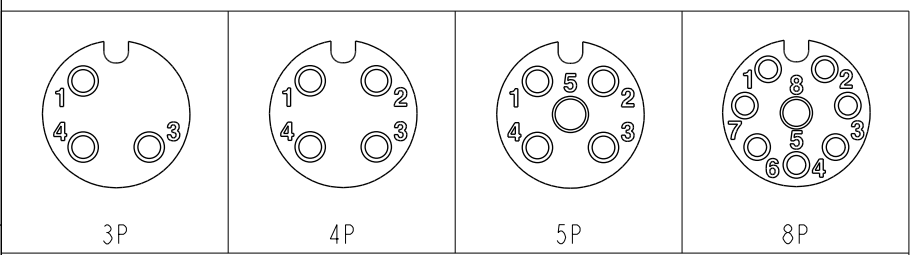
REV.	ECN NO.	DATE	SIGN	DESCRIPTION
B	LEN1790108-11	2017/08/31	Frank Deng	Update Note
C	C210561	2021/04/09	Vicky	$\triangle C$ X4
D	C221877	2022/12/09	Ruru	$\triangle D$ X1

$\triangle C$
M12A-XXBFFB-SL7001

XX: No. Of Pin



- $\triangle B$ $\triangle C$
Note:
- * RoHS Compliant
 - * $\text{\textcircled{O}}$ Important Dimension
 - \triangle * Waterproof rate: IP67, mated
 - * Connector
 - Housing: Thermoplastic, Black
 - Pin: Copper alloy, Gold plated
 - Extension Nut: Thermoplastic, Black
 - Nut: Metal
 - O-Ring: Rubber, Gray
 - * Clamp Ring: Thermoplastic, Black
 - * Sealing Nut: Thermoplastic, Black
 - * Seal: Rubber, Gray, OD: $\text{\textcircled{O}}4.0\text{mm} \sim \text{\textcircled{O}}8.0\text{mm}$
 - * One set unassembled in one pe bag



Pin Assignments Front View

UNIT: mm	$\text{\textcircled{O}}$ $\text{\textcircled{O}}$	TITLE N SEN, M12 A, SCREW CABLE W/O SR, F, F, FI SCREW IN	$\triangle C$
TOLERANCE .X ± 0.25 .XX ± 0.1 .XXX ± 0.05 ANGLES $\pm 1^\circ$	$\triangle C$	SCALE 1:1 SIZE A4 SHEET 1 OF 1	
		REV. D WC-REV. A.4 $\text{\textcircled{O}}$: Inspection item	

Amphenol LTW
安費諾亮泰企業股份有限公司

ITEM NO.	DRAWN BY Frank Deng	DATE 2017-08-31
DWG NO. M12A-XXBFFB-SL7001	CHECKED BY Fisher Wang	DATE 2017-08-31
CUSTOMER ALTW	APPROVED BY Kevin Hu	DATE 2017-08-31