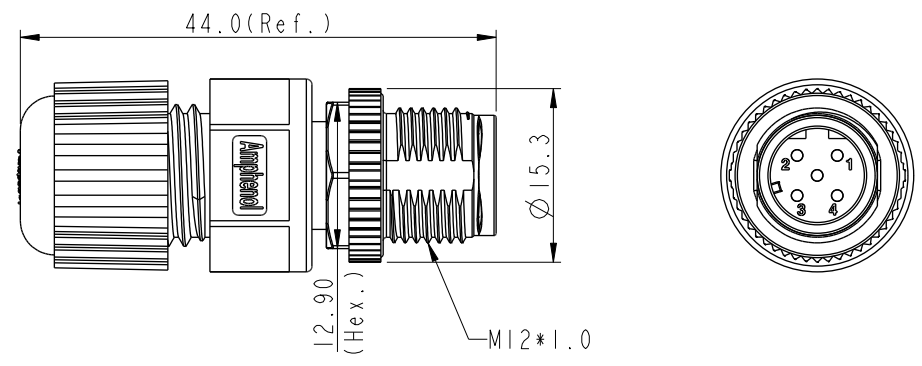
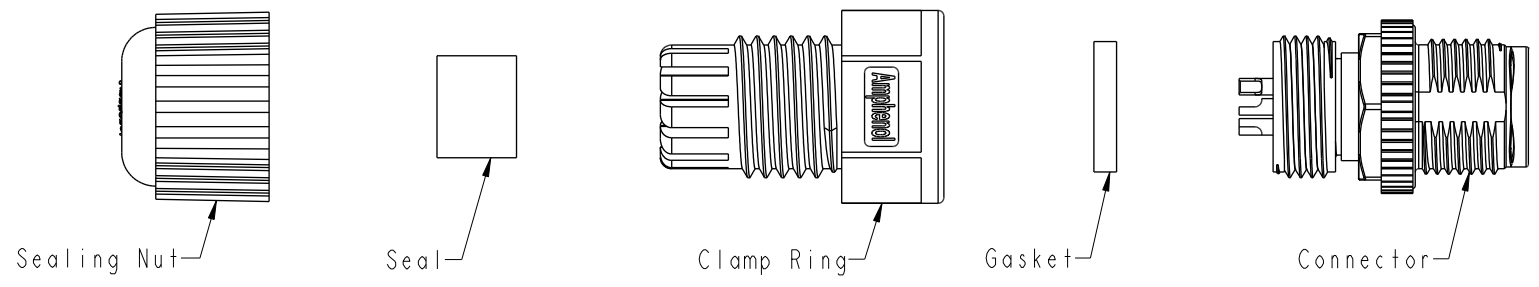


THIS DOCUMENT IS SUBJECT TO CHANGE WITHOUT NOTICE. IT IS CONFIDENTIAL AND A PROPERTY OF Amphenol LTW. DISCLOSURE TO THIRD PARTY HAS TO BE AUTHORIZED BY Amphenol LTW.

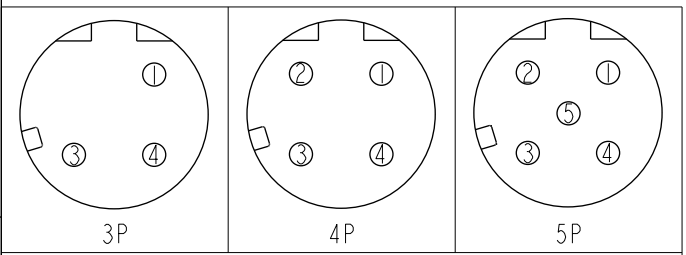
REV.	ECN NO.	DATE	SIGN	DESCRIPTION
B	C210561	2021/04/13	Vicky	$\triangle B$ X4
C	C221953	2022/12/15	Ruru	$\triangle C$ XI



$\triangle B$  M12D-XXBMM-A-SL8001

XX: No. Of Pin

- $\triangle B$  Note:
- \* RoHS Compliant
  - \*  $\text{CC}$  Important Dimension
  - $\triangle C$  \* Waterproof rate: IP68, mated 1m/24h
  - \* Connector
  - Housing: Thermoplastic, Black
  - Pin: Copper alloy, Gold plated
  - Extension Nut: Thermoplastic, Black
  - Nut: Metal
  - \* Gasket: Rubber, Gray
  - \* Clamp Ring: Thermoplastic, Black
  - \* Sealing Nut: Thermoplastic, Black
  - \* Seal: Rubber, Gray, OD:  $\varnothing 4.5\text{mm} - \varnothing 6.5\text{mm}$
  - \* One set unassembled in one pe bag



Pin Assignments Front View

UNIT: mm	$\text{CC}$	TITLE	$\triangle B$
TOLERANCE		N SEN, M12 D, SCREW	
.X $\pm 0.25$		CABLE W/O SR, M, M, FI SOLDER	
.XX $\pm 0.1$	$\triangle B$	SCALE	1:1
.XXX $\pm 0.05$		SIZE	A4
ANGLES $\pm 1^\circ$		SHEET	1 OF 1
		REV.	C
		WC-REV.	A.5
		$\text{CC}$	Inspection item

**Amphenol LTW**  
安費諾亮泰企業股份有限公司

ITEM NO	DRAWN BY	DATE
	JC Chen	2019/08/28
DWG NO	CHECKED BY	DATE
M12D-XXBMM-A-SL8001	Li Feng	2019/08/28
CUSTOMER	APPROVED BY	DATE
ALTW	Jerry	2019/08/28