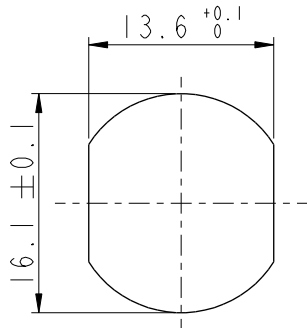
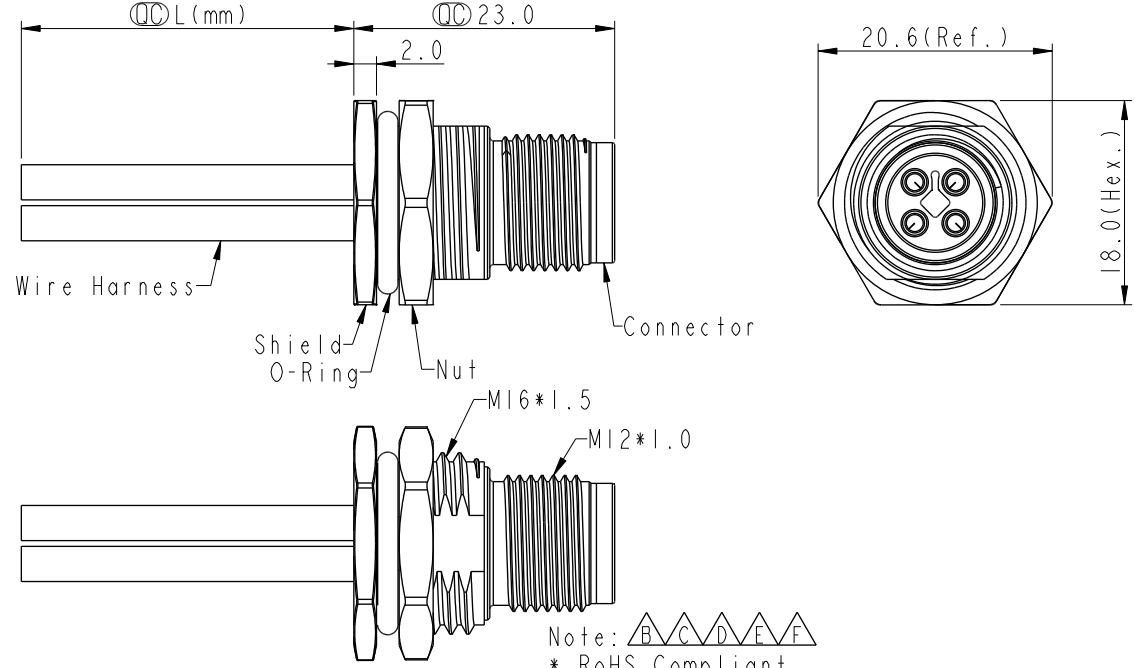
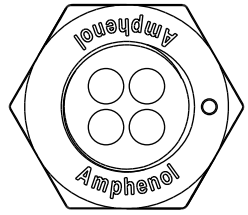


THIS DOCUMENT IS SUBJECT TO CHANGE WITHOUT NOTICE. IT IS CONFIDENTIAL AND A PROPERTY OF Amphenol LTW. DISCLOSURE TO THIRD PARTY HAS TO BE AUTHORIZED BY Amphenol LTW.

REV.	ECN NO.	DATE	SIGN	DESCRIPTION
E	C210025	2021/01/20	Vicky	X2
F	C210593	2021/04/19	Ruru	X3
G	C221890	2022/12/29	Vicky	X1

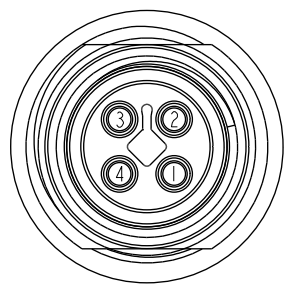


Recommended Panel Cut-Out



4	Black	黑
3	Blue	藍
2	White	白
1	Brown	棕

Pin #	Wire	Pin Out



4P

Pin Assignments Front View

M12T-XXPMS-SF8CXX
XX: No. Of Pin

- 10: 100mm
- 15: 150mm
- 20: 200mm
- 95: 950mm
- Cable Pitch Unit: 50mm
- A0: 1000mm
- A5: 1500mm
- Cable Pitch Unit: 100mm
- Wire Length(L): 150~1500mm

- Note:
- * RoHS Compliant
 - * Important dimension
 - * Waterproof rate: IP68, unmated 1m/24h
IP69K, unmated
 - * Connector
Housing: Thermoplastic, Black
Pin: Copper alloy, Gold plated
 - * Shield: Metal
 - * Nut: Metal
 - * O-Ring: Rubber, Black
 - * Wire harness: UL1015, 16AWG
 - * For panel thickness max: 4.5mm
 - * O-Ring and nut are assembled on connectors
 - * Wire harness tolerance: 100mm: ±10mm
100mm < L ≤ 300mm: ±15mm
300mm < L ≤ 1000mm: ±20mm
1000mm < L ≤ 1500mm: ±50mm

UNIT:mm		
TOLERANCE	.X ±0.25	
	.XX ±0.1	
	.XXX ±0.05	
ANGLES	±1°	

TITLE N SEN, M12 T, SCREW RECEPTACLE, M, M, SOLDER			
SCALE 1:1	SIZE A4	SHEET 1 OF 1	
REV. G	WC-REV. A.2	Inspection item	

Amphenol LTW
安費諾亮泰企業股份有限公司

ITEM NO	DRAWN BY Vicky	DATE 2019-09-20
DWG NO M12T-XXPMS-SF8CXX	CHECKED BY Rita	DATE 2019-09-20
CUSTOMER ALTW	APPROVED BY Max	DATE 2019-09-20