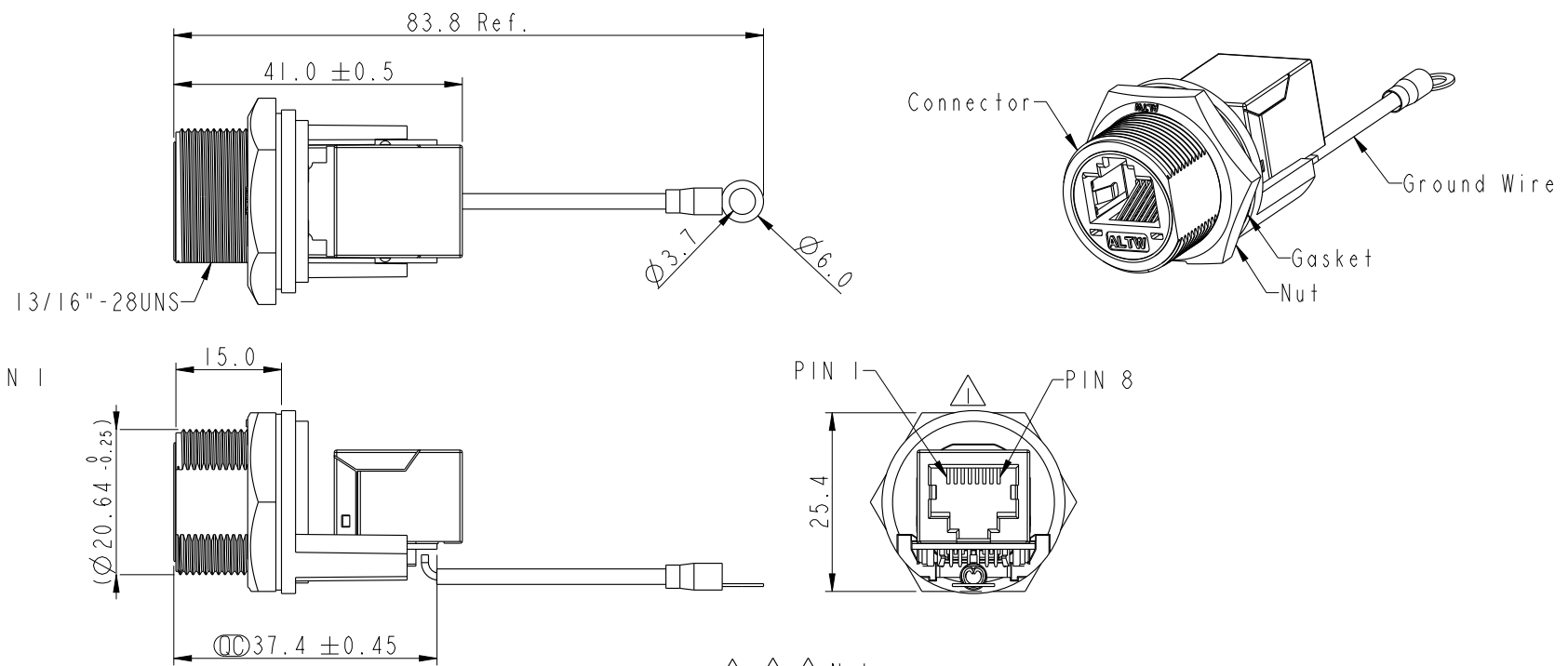
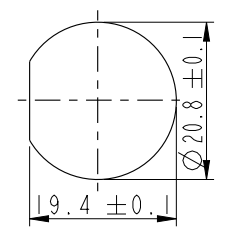


THIS DOCUMENT IS SUBJECT TO CHANGE WITHOUT NOTICE. IT IS CONFIDENTIAL AND A PROPERTY OF Amphenol LTW. DISCLOSURE TO THIRD PARTY HAS TO BE AUTHORIZED BY Amphenol LTW.

| REV. | ECN NO. | DATE | SIGN | DESCRIPTION |
|------|---------|------------|-----------|-------------|
| G | C200524 | 2020/04/22 | Vicky | △G *2 |
| H | C220799 | 2022/05/24 | Vicky | △H *1 |
| I | C230022 | 2023/01/06 | Zhi Cheng | △I *2 |



- △I △F △H Note:
- * RoHS Compliant
 - * Ⓞ Important dimension
 - * Waterproof rate: IP67, mated
 - * Connector
 - Housing: Thermoplastic, Black, RJ45 jack, shielded
 - * Nut: Thermoplastic, Black
 - * Gasket: Rubber, Gray
 - * Use with waterproof cap or dust cap
Panel thickness max: 3.0mm
 - * Use without waterproof cap or dust cap
Panel thickness max: 4.2mm
 - * Gasket and nut are assembled on connectors
 - * Wire: UL1015, 20AWG, Green



Recommended Panel Cut-Out

| | | | | | | | | | | |
|------------|--------------------------------------|--------------------|--------------------|--|----------|--------------------|-------------|------|------|------------|
| UNIT: mm | TITLE | | RCP-5SPFFH-SCM7002 | | ITEM NO | RCP-5SPFFH-SCM7002 | DRAWN BY | Ruru | DATE | 2019-03-18 |
| | FRONT FASTENED, F, PNL JACK S, SCREW | | A4 | | DWG NO | RCP-5SPFFH-SCM7002 | CHECKED BY | Rita | DATE | 2019-03-18 |
| | SCALE 1:1 | | WC-REV. B.5 | | CUSTOMER | ALTW | APPROVED BY | Max | DATE | 2019-03-18 |
| | TOLERANCE | | SHEET 1 OF 1 | | | | | | | |
| .X ±0.25 | | Ⓞ: Inspection item | | | | | | | | |
| .XX ±0.1 | | | | | | | | | | |
| .XXX ±0.05 | | | | | | | | | | |
| ANGLES ±1° | | | | | | | | | | |

Amphenol LTW
安費諾亮泰企業股份有限公司