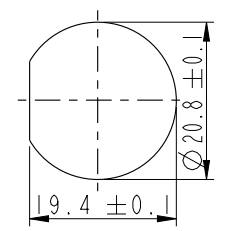
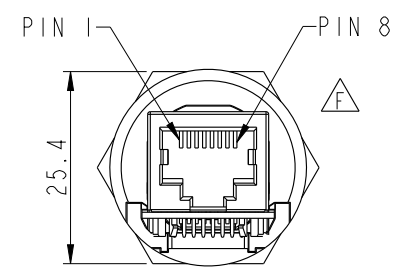
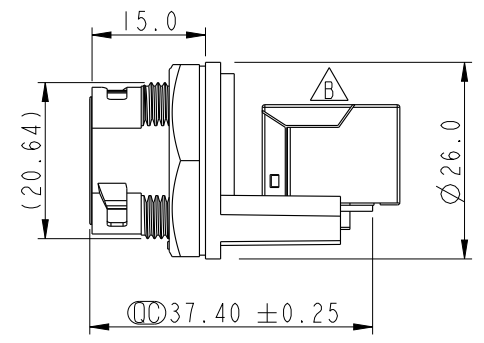
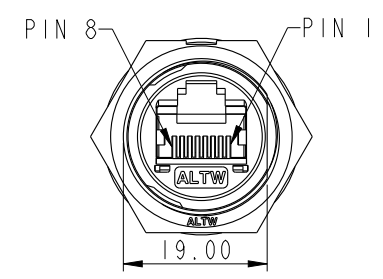
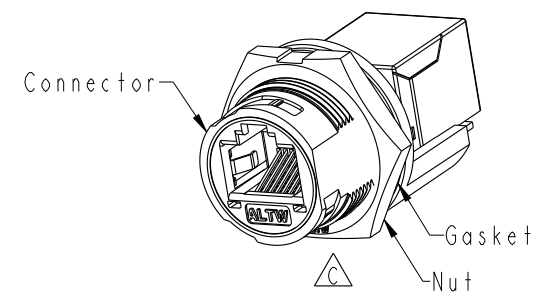
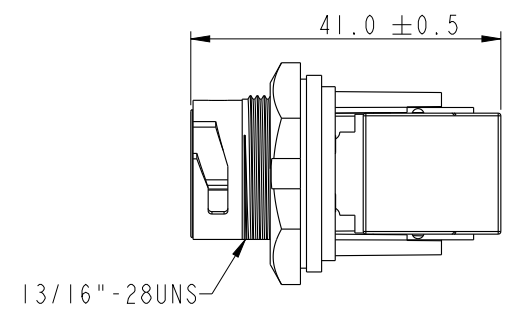


THIS DOCUMENT IS SUBJECT TO CHANGE WITHOUT NOTICE. IT IS CONFIDENTIAL AND A PROPERTY OF AMPHENOL LTW. DISCLOSURE TO THIRD PARTY HAS TO BE AUTHORIZED BY AMPHENOL LTW.

REV.	ECN NO.	DATE	SIGN	DESCRIPTION
D	C190405	2019/03/15	Ruru	Modify Note
E	C220799	2022/05/25	Vicky	△E X2
F	C230022	2023/01/07	Zhi Cheng	△F *2



Recommended Panel Cut-Out

- △F △D △E Note:
- * RoHS Compliant
 - * Ⓞ Important dimension
 - * Waterproof rate: IP67, mated
 - * Connector Housing: Thermoplastic, Black, RJ45 jack, shielded
 - * Nut: Thermoplastic, Black
 - * Gasket: Rubber, Gray
 - * Use with waterproof cap or dust cap
Panel thickness max: 3.0mm
 - * Use without waterproof cap or dust cap
Panel thickness max: 4.2mm
 - * Gasket and nut are packed separately in pe bag

UNIT: mm			TITLE RJ, C PLASTIC, C5E SHLD FRONT FASTENED, F, PNL JACK S, 3LOCK
TOLERANCE .X ±0.25 .XX ±0.1 .XXX ±0.05 ANGLES ±1°	SCALE 1:1	SIZE A4	SHEET 1 OF 1
REV. F	WC-REV. B.3	Ⓞ: Inspection item	

Amphenol LTW
安費諾亮泰企業股份有限公司

ITEM NO. RCP-5SPFFH-TCM7001	DRAWN BY Ruru	DATE 2019-03-15
DWG NO. RCP-5SPFFH-TCM7001	CHECKED BY Rita	DATE 2019-03-15
CUSTOMER ALTW	APPROVED BY Max	DATE 2019-03-15