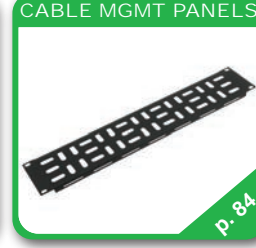


19 INCH RACK ENCLOSURES & ACCESSORIES





INFORMATION

This publication is a special sales issue only. For a full range of current products, news and information please visit penn-elcom.com or contact us. Contact details can be found at the back of this catalogue or on our website.

SPECIFICATIONS

Penn Elcom's leadership in the design and manufacture of case fittings is based on constant development and improvement. While great care is taken to give up-to-date information in this publication, Penn Elcom reserves the right to amend any specifications herein detailed, without prior notice. All descriptions, illustrations etc, in this publication shall not form part of any contract.

COPYRIGHT

This publication is copyright, all rights strictly reserved. Reproduction in any form whatsoever is not permitted without written authority from the proprietors.

CONDITIONS OF SALE

All goods supplied by the company are supplied subject to the company's general conditions of sale which are available on request.

TESTING

Our products are regularly tested by a NAMAS approved test house. Certificates are available on request.

DISCLAIMER

Information in this catalogue is subject to change without prior notice, at any time. While Penn Elcom Corporation has made every attempt to ensure the accuracy of the information contained in this catalogue, Penn Elcom Corporation is not responsible or liable for any errors, inaccuracies or omissions in this catalogue. All information is provided "as is" with no guarantee of accuracy.

All Penn Elcom Products are RoHS & Reach Compliant



penn ELCOM[®]

Penn Elcom is a global manufacturer of flight case and speaker cabinet hardware as well as 19-inch racking systems with extensive manufacturing facilities in the UK and mainland China. Our wholly owned distribution network has 18 depots over 6 continents.

Now a trusted name for casebuilders and audio visual installers, Penn has developed an industry-leading range of products including its classic MOL[®] latches, handles and corners. Our custom made speaker grilles can be found on all leading brand speakers around the world.

Penn's specialist factories also develop and manufacture a complete range of high quality 19-inch enclosures. Our hand-built server and wall racks, drawers, shelves and accessories are pre-assembled and delivered globally.



STAND ALONE RACKS



P. 4

OPEN TOWER RACKS



P. 14

WALL MOUNT RACKS



P. 21

WOOD RACKS



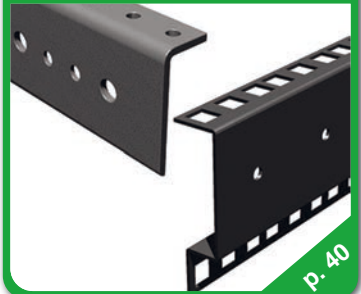
P. 31

SHOCK MOUNT SYSTEMS



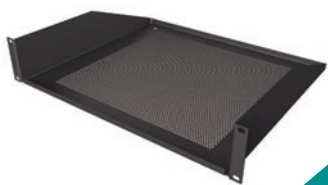
P. 34

RACK RAILS



P. 40

RACK SHELVES



P. 43

SLIDING SHELVES



P. 58

SHELF SUPPORTS



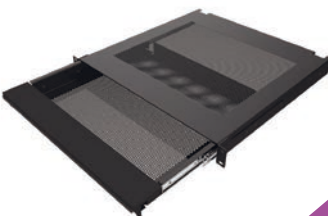
P. 59

RACK DRAWERS



P. 61

LAPTOP DRAWERS



P. 66

PLAIN PANELS



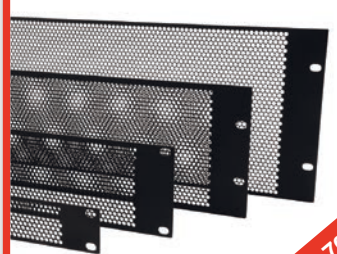
P. 67

CORNER PANELS



P. 70

PERFORATED PANELS



P. 70

PANEL DESIGNER

P. 72

PUNCHED PANELS

P. 74

PATCH PANELS

P. 83

SECURITY PANELS

P. 84

CABLE MGMT PANELS

P. 84

RACK DOORS

P. 86

RACK HANDLES

P. 87

RACK COOLING SYSTEMS

P. 88

POWER DISTRIBUTION

P. 92

RACK LIGHTS

P. 95

CABLE MANAGEMENT

P. 96

RACK & STAGE BOXES

P. 100

AV ACCESSORIES

P. 103

RACK ACCESSORIES

P. 107

RACK FASTENERS

P. 110

CONNECTORS, CABLES & LEADS

NEUTRIK
Amphenol
P. 113

STAGE BOXES

P. 171

COMPUTER HOLDERS

P. 175

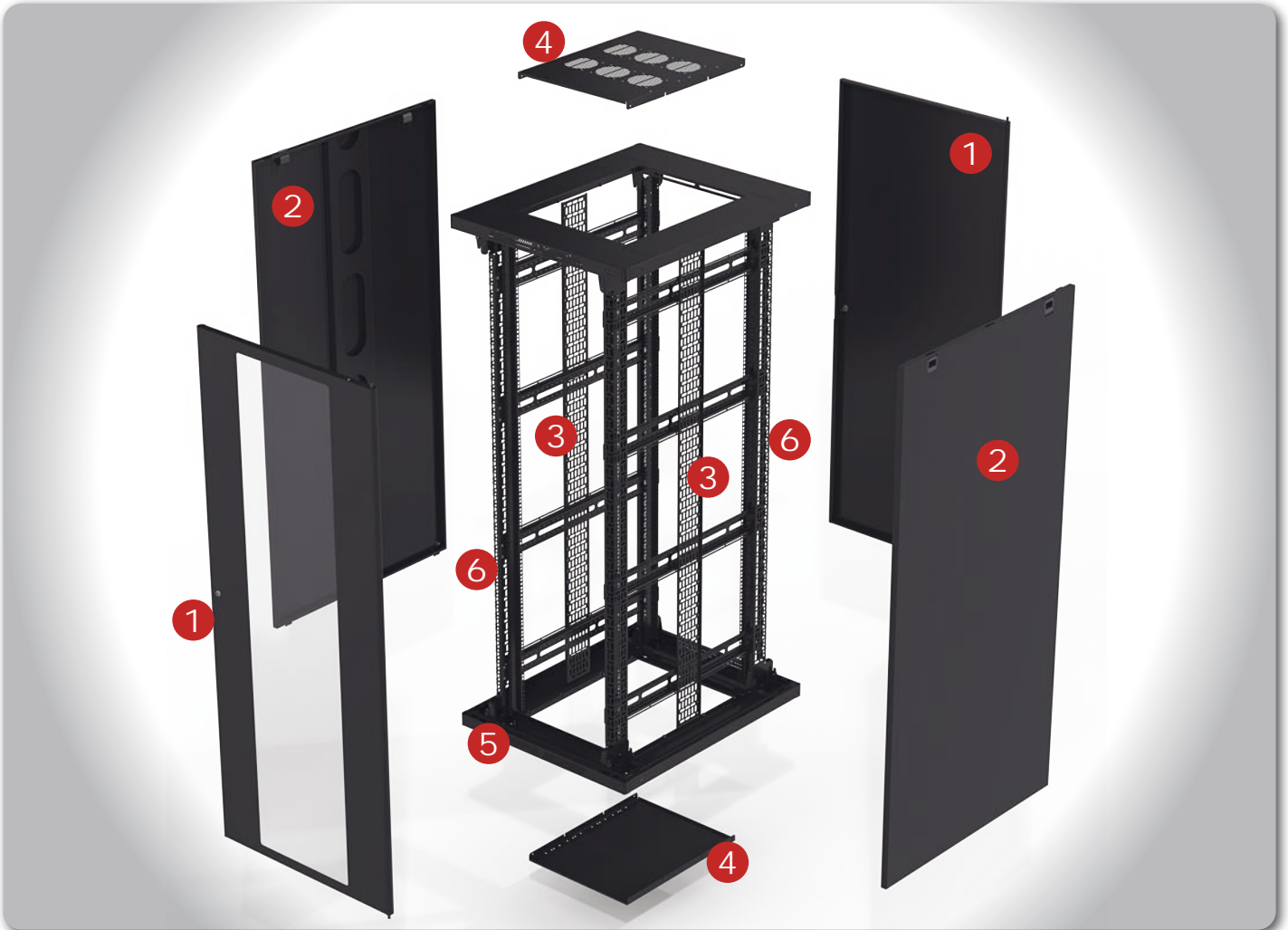
CABLE CROSSOVERS

P. 180

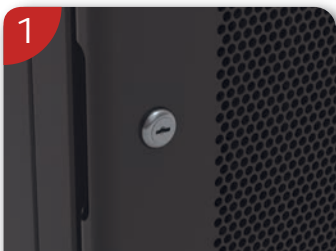
MEETING PODS

P. 184

R4000 / R5000 - Server Rack Enclosure



A new generation for server rack enclosures with a multitude of added features that will revolutionise server cabinet management. Its hidden assembly screws and rolled edges give the cabinet a sleek, minimalistic finish.



1 Front & Back Doors

- Can be removed or rotated
- Magnetic door handles
- Glass, plain or vented steel doors
- Replacement lock available P/N: R40-R84-DOOR-LOCK



2 Side Panels

- Easy to open with slam latches
- Removable
- Optional side panel locks, P/N: R40-R64-SDOOR-LOCK



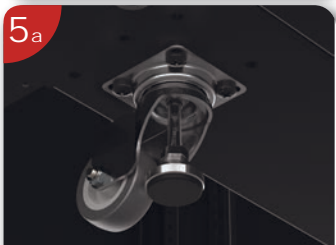
3 Cable Management

- Four integral vertical cable management bars
- Optional horizontal cable trays



4 Customisable

- Modular Top & Bottom Units
- From 6U to 18U available on the top and the bottom of each enclosure



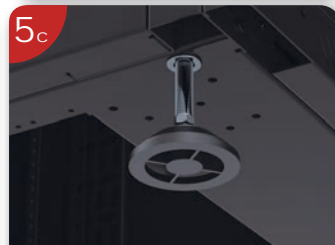
5a 50mm Castors

- 41mm x 41mm / 1.6" x 1.6" hole patterns for 50mm / 2" castors.
- W0950 - Combined castor and adjustable foot included.



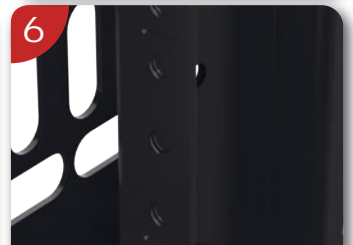
5b 75 & 100mm Castors

- 80mm x 60mm / 3.15" x 3.36" hole patterns for 75mm / 3" & 100mm / 4" castors.



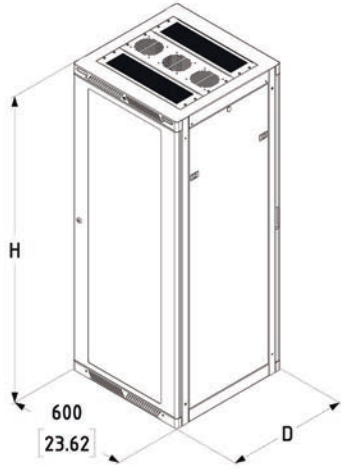
5c Adjustable feet

- M12 holes for adjuster feet.
- See part number R8295 for sets of adjuster feet from 30mm to 95mm / from 1.2" to 3.75".



6 Threaded Rails

- Adjustable mounting depth from 150mm to 900mm / 6" to 35.5"
- No more cage nuts with the M6 or 10/32 threaded rack rails



R4006 - 600mm / 24" Wide, Metric Threaded Rack Tower

600mm / 23.62" Wide Rack Tower, with **M6 Threaded Rail**. With Lockable Glass* Front Door & Lockable Plain back Door.

Available Depths: 600mm / 23.62", 800mm / 31.5" and 1m / 39"

Available Heights: From 6U to 47U

Available Front Doors: Glass*, Plain Steel or Vented Steel

Features

- Simple assembly
- Adjustable Threaded Rack Rails
- Integral cable trays
- Optional Side Door locks
- Earth Points and Gangable
- Can be built as open, sides only or closed tower versions
- IP30 Version Available
- 4 x **W0950** (p.107) Castor/Foot Included

Custom Sizes & Colours Available.

*Glass Door made from Shatterproof polycarbonate

Material: Steel

Finish: Black

600mm x 600mm / 24" x 24" - Glass Door

Part No.	Size (U)	Height	Weight
R4066-18UK	18U NEW!	902mm / 35.51"	55kg/121.25lb
R4066-22UK	22U	1.08m / 43"	62kg/136.69lb
R4066-32UK	32U	1.52m / 60"	76kg/167.55lb
R4066-37UK	37U	1.75m / 69"	83kg/182.98lb
R4066-42UK	42U	1.97m / 77"	90kg/198.42lb
R4066-47UK	47U	2.19m / 86"	97kg/213.85lb

600mm x 600mm / 24" x 24" - Vented Door

Part No.	Size (U)	Height	Weight
R4066-V-18UK	18U NEW!	902mm / 35.51"	55kg/121.25lb
R4066-V-22UK	22U	1.08m / 43"	61kg/134.48lb
R4066-V-32UK	32U	1.52m / 60"	75kg/165.35lb
R4066-V-37UK	37U	1.75m / 69"	82kg/180.78lb
R4066-V-42UK	42U	1.97m / 77"	88kg/194.01lb
R4066-V-47UK	47U	2.19m / 86"	95kg/209.44lb

600mm x 800mm / 24" x 32" - Glass Door

Part No.	Size (U)	Height	Weight
R4086-22UK	22U	1.08m / 43"	68kg/149.91lb
R4086-32UK	32U	1.52m / 60"	88kg/194.01lb
R4086-37UK	37U	1.75m / 69"	98kg/216.05lb
R4086-42UK	42U	1.97m / 77"	108kg/238.1lb
R4086-47UK	47U	2.19m / 86"	118kg/260.15lb

600mm x 800mm / 24" x 32" - Vented Door

Part No.	Size (U)	Height	Weight
R4086-V-22UK	22U	1.08m / 43"	67kg/147.71lb
R4086-V-32UK	32U	1.52m / 60"	87kg/191.8lb
R4086-V-37UK	37U	1.75m / 69"	97kg/213.85lb
R4086-V-42UK	42U	1.97m / 77"	106kg/233.69lb
R4086-V-47UK	47U	2.19m / 86"	116kg/255.74lb

600mm x 1000mm / 24" x 40" - Glass Door

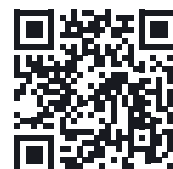
Part No.	Size (U)	Height	Weight
R4106-22UK	22U	1.08m / 43"	75kg/165.35lb
R4106-32UK	32U	1.52m / 60"	100kg/220.46lb
R4106-37UK	37U	1.75m / 69"	112kg/246.92lb
R4106-42UK	42U	1.97m / 77"	125kg/275.58lb
R4106-47UK	47U	2.19m / 86"	140kg/308.65lb

600mm x 1000mm / 24" x 40" - Vented Door

Part No.	Size (U)	Height	Weight
R4106-V-22UK	22U	1.08m / 43"	74kg/163.14lb
R4106-V-32UK	32U	1.52m / 60"	99kg/218.26lb
R4106-V-37UK	37U	1.75m / 69"	111kg/244.71lb
R4106-V-42UK	42U	1.97m / 77"	123kg/271.17lb
R4106-V-47UK	47U	2.19m / 86"	138kg/304.24lb

Doors & Accessories

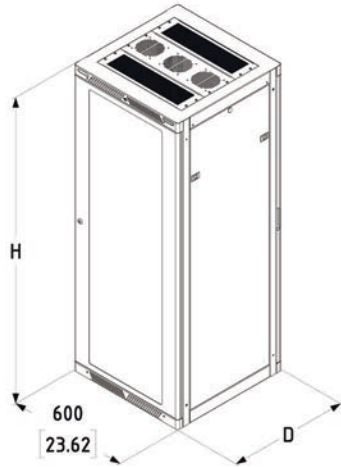
Part No.	Description	Weight
R4006-BGD-xxUK	Glass Door, Replace xx with U size	
R4006-VFD-xxUK	Perforated Steel Door, Replace xx with U size	
R4006-PFD-xxUK	Plain Steel Door, Replace xx with U size	
R8295	Set of 4 Adjuster Feet with M12 thread. Adds from 30mm / 1.18" (min) to 95mm / 3.74" (max)	50g/1.76oz



Scan to Watch
Our Video

Or Visit:

youtu.be/vxynWWJu0fY



R5006 - 600mm / 24" Wide, Imperial Threaded Rack Tower

600mm / 23.62" Wide Rack Tower, with **10-32 Threaded Rail**. With Lockable Glass* Front Door & Lockable Plain back Door.

Available Depths: 600mm / 23.62", 800mm / 31.5" and 1m / 39"

Available Heights: From 6U to 47U

Available Front Doors: Glass*, Plain Steel or Vented Steel

Features

- Simple assembly
- Adjustable Threaded Rack Rails
- Integral cable trays
- optional Side Door locks
- Earth Points and Gangable
- Can be built as open, sides only or closed tower versions
- IP30 Version Available
- 4 x **W0950** (p.107) Castor/Foot Included

Custom Sizes & Colours Available.

*Glass Door made from Shatterproof polycarbonate

Material: Steel Finish: Black

600mm x 600mm / 24" x 24" - Glass Door

Part No.	Size (U)	Height (H)	Weight
R5066-18UK	18U	902mm / 35.51"	55kg/121.25lb
R5066-22UK	22U	1.08m / 43"	62kg/136.69lb
R5066-27UK	27U	1.3m / 51"	71kg/156.53lb
R5066-32UK	32U	1.52m / 60"	76kg/167.55lb
R5066-35UK	35U	1.66m / 65"	80kg/176.37lb
R5066-37UK	37U	1.75m / 69"	83kg/182.98lb
R5066-42UK	42U	1.97m / 77"	90kg/198.42lb
R5066-47UK	47U	2.19m / 86"	97kg/213.85lb

600mm x 600mm / 24" x 24" - Vented Door

Part No.	Size (U)	Height (H)	Weight
R5066-V-18UK	18U	902mm / 35.51"	55kg/121.25lb
R5066-V-22UK	22U	1.08m / 43"	61kg/134.48lb
R5066-V-27UK	27U	1.3m / 51"	70kg/154.32lb
R5066-V-32UK	32U	1.52m / 60"	75kg/165.35lb
R5066-V-35UK	35U	1.66m / 65"	79kg/174.17lb
R5066-V-37UK	37U	1.75m / 69"	82kg/180.78lb
R5066-V-42UK	42U	1.97m / 77"	88kg/194.01lb
R5066-V-47UK	47U	2.19m / 86"	95kg/209.44lb

600mm x 800mm / 24" x 32" - Glass Door

Part No.	Size (U)	Height (H)	Weight
R5086-22UK	22U	1.08m / 43"	68kg/149.91lb
R5086-27UK	27U	1.3m / 51"	78kg/171.96lb
R5086-32UK	32U	1.52m / 60"	88kg/194.01lb
R5086-35UK	35U	1.66m / 65"	94kg/207.23lb
R5086-37UK	37U	1.75m / 69"	98kg/216.05lb
R5086-42UK	42U	1.97m / 77"	108kg/238.1lb
R5086-47UK	47U	2.19m / 86"	118kg/260.15lb

600mm x 800mm / 24" x 32" - Vented Door

Part No.	Size (U)	Height (H)	Weight
R5086-V-22UK	22U	1.08m / 43"	67kg/147.71lb
R5086-V-27UK	27U	1.3m / 51"	77kg/169.76lb
R5086-V-32UK	32U	1.52m / 60"	87kg/191.8lb
R5086-V-35UK	35U	1.66m / 65"	93kg/205.03lb
R5086-V-37UK	37U	1.75m / 69"	97kg/213.85lb
R5086-V-42UK	42U	1.97m / 77"	106kg/233.69lb
R5086-V-47UK	47U	2.19m / 86"	116kg/255.74lb

600mm x 1000mm / 24" x 40" - Glass Door

Part No.	Size (U)	Height (H)	Weight
R5106-22UK	22U	1.08m / 43"	75kg/165.35lb
R5106-27UK	27U	1.3m / 51"	88kg/194.01lb
R5106-32UK	32U	1.52m / 60"	100kg/220.46lb
R5106-35UK	35U	1.66m / 65"	107kg/235.89lb
R5106-37UK	37U	1.75m / 69"	112kg/246.92lb
R5106-42UK	42U	1.97m / 77"	125kg/275.58lb
R5106-47UK	47U	2.19m / 86"	140kg/308.65lb

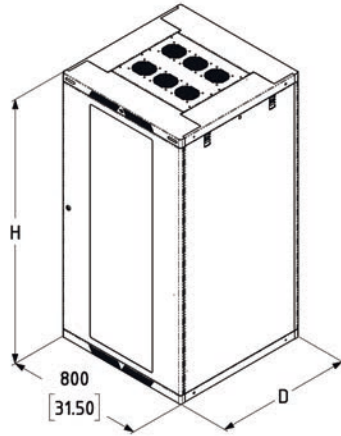
600mm x 1000mm / 24" x 40" - Vented Door

Part No.	Size (U)	Height (H)	Weight
R5106-V-22UK	22U	1.08m / 43"	74kg/163.14lb
R5106-V-27UK	27U	1.3m / 51"	87kg/191.8lb
R5106-V-32UK	32U	1.52m / 60"	99kg/218.26lb
R5106-V-35UK	25U	1.66m / 65"	106kg/233.69lb
R5106-V-37UK	37U	1.75m / 69"	111kg/244.71lb
R5106-V-42UK	42U	1.97m / 77"	123kg/271.17lb
R5106-V-47UK	47U	2.19m / 86"	138kg/304.24lb

Doors & Accessories

Part No.	Description	Weight
R4006-BGD-xxUK	Glass Door, Replace xx with U size	
R4006-VFD-xxUK	Perforated Steel Door, Replace xx with U size	
R4006-PFD-xxUK	Plain Steel Door, Replace xx with U size	
R8295	Set of 4 Adjuster Feet with M12 thread. Adds from 30mm / 1.18" (min) to 95mm / 3.74" (max)	50g/1.76oz





R4008 - 800mm / 32" Wide, Metric Threaded Rack Tower

800mm / 31.5" Wide Rack Tower, with **M6 Threaded Rail**.
 With Lockable Glass Front Door & Lockable Plain back Door.
Available Depths: 800mm / 31.5" and 1m / 39"
Available Heights: From 22U to 47U
Available Front Doors: Glass*, Plain Steel or Vented Steel

Features

- Simple assembly
 - Doors & Sides can be removed for full access
 - Adjustable Threaded Rack Rails
 - Integral cable trays
 - Earth Points and Gangable
 - Can be built as open, sides only or closed tower versions
 - IP30 Version Available
 - 4 x **W0950** (p.107) Castor/Foot Included
- *Glass Door made from Shatterproof polycarbonate
 Material: Steel Finish: Black

800mm x 800mm / 32" x 32" - Glass Door

Part No.	Size (U)	Height	Weight
R4088-22UK	22U	1.08m / 43"	75kg/165.35lb
R4088-32UK	32U	1.52m / 60"	100kg/220.46lb
R4088-37UK	37U	1.75m / 69"	112kg/246.92lb
R4088-42UK	42U	1.97m / 77"	125kg/275.58lb
R4088-47UK	47U	2.19m / 86"	140kg/308.65lb

800mm x 800mm / 32" x 32" - Vented Door

Part No.	Size (U)	Height	Weight
R4088-V-22UK	22U	1.08m / 43"	74kg/163.14lb
R4088-V-32UK	32U	1.52m / 60"	99kg/218.26lb
R4088-V-37UK	37U	1.75m / 69"	111kg/244.71lb
R4088-V-42UK	42U	1.97m / 77"	123kg/271.17lb
R4088-V-47UK	47U	2.19m / 86"	138kg/304.24lb

800mm x 1000mm / 32" x 40" - Glass Door

Part No.	Size (U)	Height	Weight
R4108-22UK	22U	1.08m / 43"	80kg/176.37lb
R4108-32UK	32U	1.52m / 60"	105kg/231.49lb
R4108-37UK	37U	1.75m / 69"	117kg/257.94lb
R4108-42UK	42U	1.97m / 77"	130kg/286.6lb
R4108-47UK	47U	2.19m / 86"	145kg/319.67lb

800mm x 1000mm / 32" x 40" - Vented Door

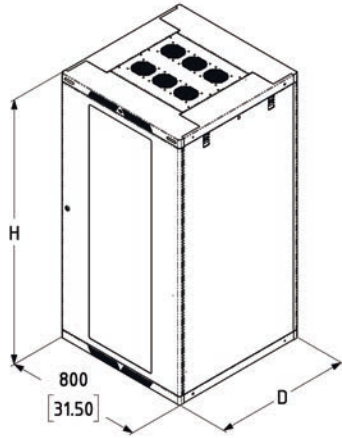
Part No.	Size (U)	Height	Weight
R4108-V-22UK	22U	1.08m / 43"	79kg/174.17lb
R4108-V-32UK	32U	1.52m / 60"	104kg/229.28lb
R4108-V-37UK	37U	1.75m / 69"	116kg/255.74lb
R4108-V-42UK	42U	1.97m / 77"	128kg/282.19lb
R4108-V-47UK	47U	2.19m / 86"	143kg/315.26lb

Doors & Accessories

Part No.	Description	Weight
R4008-BGD-xxUK	Glass Door, Replace xx with U size	
R4008-VFD-xxUK	Perforated Steel Door, Replace xx with U size	
R4008-PFD-xxUK	Plain Steel Door, Replace xx with U size	
R8295	Set of 4 Adjuster Feet with M12 thread. Adds from 30mm / 1.18" (min) to 95mm / 3.74" (max)	50g/1.76oz



8 - Stand Alone Racks



R5008 - 800mm / 32" Wide, Imperial Threaded Rack Tower

800mm / 31.5" Wide Rack Tower, with **10/32 Threaded Rail**.
With Lockable Glass Front Door & Lockable Plain back Door.

Available Depths: 800mm / 31.5" and 1m / 39"

Available Heights: From 22U to 47U

Available Front Doors: Glass*, Plain Steel or Vented Steel

Features

- Simple assembly
- Doors & Sides can be removed for full access
- Adjustable Threaded Rack Rails
- Integral cable trays
- Earth Points and Gangable
- Can be built as open, sides only or closed tower versions
- IP30 Version Available
- 4 x **W0950** (p.107) Castor/Foot Included

*Glass Door made from Shatterproof polycarbonate

Material: Steel

800mm x 800mm / 32" x 32" - Glass Door

Part No.	Finish	Size (U)	Height	Weight
R5088-22UK	Black	22U	1.08m / 43"	75kg/165.35lb
R5088-32UK	Black	32U	1.52m / 60"	100kg/220.46lb
R5088-37UK	Black	37U	1.75m / 69"	112kg/246.92lb
R5088-42UK	Black	42U	1.97m / 77"	125kg/275.58lb
R5088-47UK	Black	47U	2.19m / 86"	140kg/308.65lb

800mm x 800mm / 32" x 32" - Vented Door

Part No.	Finish	Size (U)	Height	Weight
R5088-V-22UK	Black	22U	1.08m / 43"	74kg/163.14lb
R5088-V-32UK	Black	32U	1.52m / 60"	99kg/218.26lb
R5088-V-37UK	Black	37U	1.75m / 69"	111kg/244.71lb
R5088-V-42UK	Black	42U	1.97m / 77"	123kg/271.17lb
R5088-V-47UK	Black	47U	2.19m / 86"	138kg/304.24lb


800mm x 1000mm / 32" x 40" - Glass Door

Part No.	Finish	Size (U)	Height	Weight
R5108-22UK	Black	22U	1.08m / 43"	80kg/176.37lb
R5108-32UK	Black	32U	1.52m / 60"	105kg/231.49lb
R5108-37UK	Black	37U	1.75m / 69"	117kg/257.94lb
R5108-42UK	Black	42U	1.97m / 77"	130kg/286.6lb
R5108-47UK	Black	47U	2.19m / 86"	145kg/319.67lb

800mm x 1000mm / 32" x 40" - Vented Door

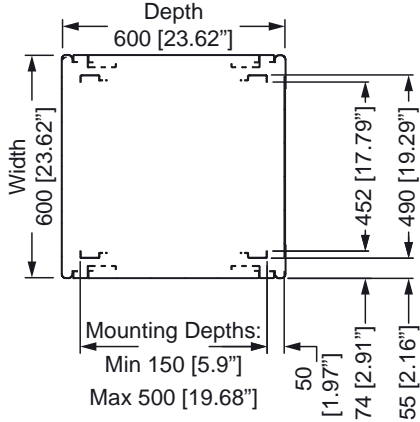
Part No.	Finish	Size (U)	Height	Weight
R5108-V-22UK	Black	22U	1.08m / 43"	79kg/174.17lb
R5108-V-32UK	Black	32U	1.52m / 60"	104kg/229.28lb
R5108-V-37UK	Black	37U	1.75m / 69"	116kg/255.74lb
R5108-V-42UK	Black	42U	1.97m / 77"	128kg/282.19lb
R5108-V-47UK	Black	47U	2.19m / 86"	143kg/315.26lb

Doors & Accessories

Part No.	Finish	Size (U)	Weight
R4008-BGD-xxUK	Black	Glass Door, Replace xx with U size	
R4008-PFD-xxUK	Black	Plain Steel Door, Replace xx with U size	
R4008-VFD-xxUK	Black	Perforated Steel Door, Replace xx with U size	
R8295		Set of 4 Adjuster Feet with M12 thread. Adds from 30mm / 1.18" (min) to 95mm / 3.74" (max)	50g/1.76oz

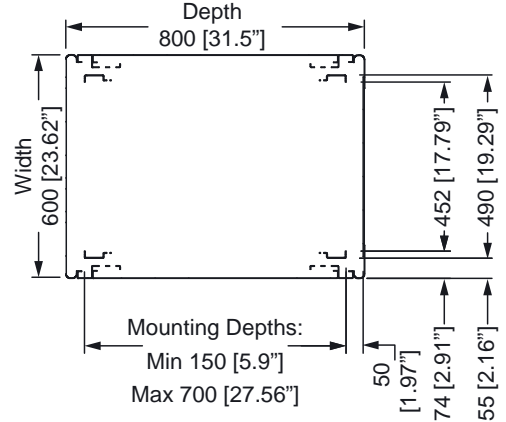
R4066 / R5066 Series

Width x Depth	600mm x 600mm / 24" x 24"
Available Unit Sizes:	18U, 22U, 32U, 37U, 42U or 47U
Mounting Depths:	Min: 150mm / 5.9" Max: 500mm / 19.7"



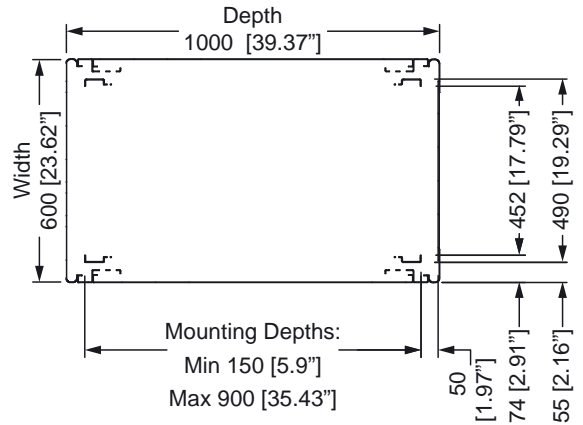
R4086 / R5086 Series

Width x Depth	600mm x 800mm / 24" x 32"
Available Unit Sizes:	18U, 22U, 32U, 37U, 42U or 47U
Mounting Depths:	Min: 150mm / 5.9" Max: 700mm / 27.5"



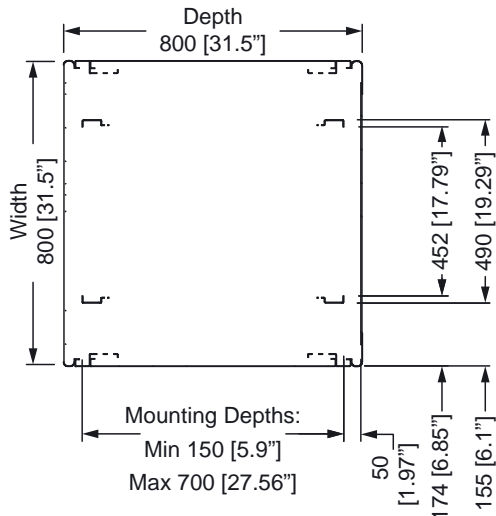
R4106 / R5106 Series

Width x Depth	600mm x 1000mm / 24" x 40"
Available Unit Sizes:	22U, 32U, 37U, 42U or 47U
Mounting Depths:	Min: 150mm / 5.9" Max: 900mm / 35.4"



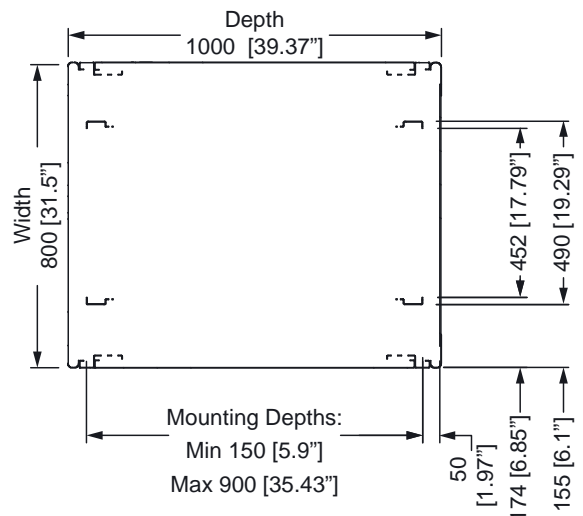
R4088 / R5088 Series

Width x Depth	800mm x 800mm / 32" x 32"
Available Unit Sizes:	22U, 32U, 37U, 42U or 47U
Mounting Depths:	Min: 150mm / 5.9" Max: 700mm / 27.5"



R4108 / R5108 Series

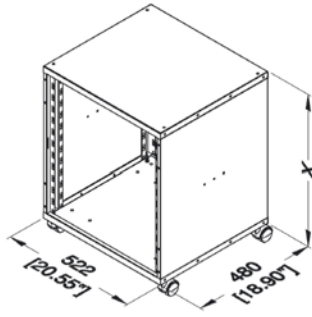
Width x Depth	800mm x 1000mm / 32" x 40"
Available Unit Sizes:	22U, 32U, 37U, 42U or 47U
Mounting Depths:	Min: 150mm / 5.9" Max: 900mm / 35.4"



10 - Stand Alone Racks

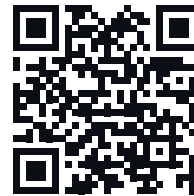
Flat Pack Paquete Plano Selbstmontage Rack en kit Собираем сам 平面包装机柜 تجميع الذاتي Lapraszerelt

R8400 - R8500 - Flat Pack Rack System



Flat Pack Rack System with Square Hole Rails (R8400 Series) or 10/32 UNF Threaded Rails (R8500 Series).

- Use **R0856K** (p.60) for rack shelf support.
- Add G to end of part number for light grey (RAL7035).
- Suitable fasteners for racking equipment are **S1170** (p.112) , **S1045k** (p.111) and **S1941** (p.111) or **S1940** (p.111) .
- Can be fitted with castors or M8 adjuster feet (not included).
- For light duty, use **R8480** (p.11) castor set.
- For larger systems use W0980 and W0980/B or W0990/80 and W0985/80 or W0990-V6 and W0985-V6 Castors.



Scan to Watch Our Video

Or Visit:
youtu.be/SV71GxTIG5E

Square Hole Rack Rails 480mm / 18.9"

Part No.	Finish	Size (U)	Height	Depth	Internal Depth	Weight
R8400-06	Black	6U	320.1mm / 12.6"	480mm / 18.9"	450mm / 17.72"	10.5kg/23.15lb
R8400-08	Black	8U	409mm / 16.1"	480mm / 18.9"	450mm / 17.72"	14kg/30.86lb
R8400-10	Black	10U	497.9mm / 19.6"	480mm / 18.9"	450mm / 17.72"	15.5kg/34.17lb
R8400-12	Black	12U	586.8mm / 23.1"	480mm / 18.9"	450mm / 17.72"	17kg/37.48lb
R8400-16	Black	16U	764.6mm / 30.1"	480mm / 18.9"	450mm / 17.72"	21kg/46.3lb
R8400-20	Black	20U	942.4mm / 37.1"	480mm / 18.9"	450mm / 17.72"	25kg/55.12lb
R8400-24	Black	24U	1.12m / 44"	480mm / 18.9"	450mm / 17.72"	29kg/63.93lb
R8400-28	Black	28U	1.27m / 50"	480mm / 18.9"	450mm / 17.72"	33kg/72.75lb
R8400-35	Black	35U	1.61m / 63"	480mm / 18.9"	450mm / 17.72"	37.5kg/82.67lb

Square Hole Rack Rail 300mm / 11.81"

Part No.	Finish	Size (U)	Height	Depth	Internal Depth	Weight
R8400-12-300K	Black	12U	586.8mm / 23.1"	300mm / 11.81"	270mm / 10.63"	10kg/22.05lb

10/32 Rack Rails

Part No.	Finish	Size (U)	Height	Depth	Internal Depth	Weight
R8500-06	Black	6U	320.1mm / 12.6"	480mm / 18.9"	450mm / 17.72"	10.5kg/23.15lb
R8500-08	Black	8U	409mm / 16.1"	480mm / 18.9"	450mm / 17.72"	14kg/30.86lb
R8500-10	Black	10U	497.9mm / 19.6"	480mm / 18.9"	450mm / 17.72"	15.5kg/34.17lb
R8500-12	Black	12U	586.8mm / 23.1"	480mm / 18.9"	450mm / 17.72"	17kg/37.48lb
R8500-16	Black	16U	764.6mm / 30.1"	480mm / 18.9"	450mm / 17.72"	21kg/46.3lb
R8500-20	Black	20U	942.4mm / 37.1"	480mm / 18.9"	450mm / 17.72"	25kg/55.12lb
R8500-24	Black	24U	1.12m / 44"	480mm / 18.9"	450mm / 17.72"	29kg/63.93lb
R8500-28	Black	28U	1.27m / 50"	480mm / 18.9"	450mm / 17.72"	33kg/72.75lb
R8500-35	Black	35U	1.61m / 63"	480mm / 18.9"	450mm / 17.72"	37.5kg/82.67lb

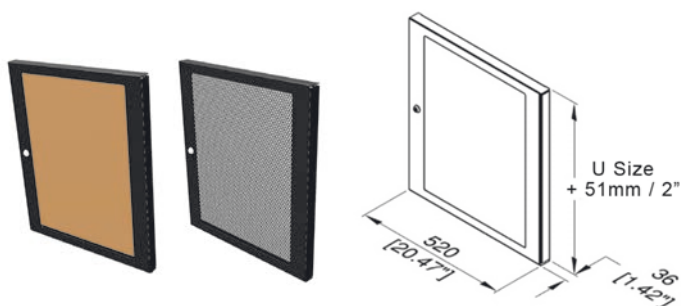




R8400/R8500 Accessories

Optional 10U **Rack Top** with M6 Threaded Rails.
 -2-Piece **Handle Set** with Mounting Hardware. See H1078K for more information.
 -4-Piece **Castor** with Mounting Hardware. Maximum Static Load: 50kg/110.23lb per Castor.
 -4-Piece **Heavy Duty Castor** with Mounting Hardware. Maximum Static Load: 60kg/132.28lb per Castor.

Part No.	Finish	Description	Weight
R8470	Black	Optional 10U Rack Top with M6 Threaded Rails	1.09kg/2.4lb
R8490	Black	2 Sprung Surface Handles (Mounting Hardware Included)	0.44kg/0.98lb
R8480	Black	4-Piece Castor Set (Static Load Capacity: 50kg/110.23lb per Castor)	0.28kg/0.61lb
R8480/HD		Heavy Duty Castor Kit (Static Load Capacity: 60kg/132.28lb per Castor)	



R8400/R8500 Doors

Smoked Polycarbonate or Perforated Steel Doors for R8400 and R8500 Flat Pack Rack Systems.
 Also available in Grey: R8450/XXG (replace XX with Size. 6U - 35U)

Material: Steel / Polycarbonate Finish: Black

Smoked Polycarbonate

Part No.	Size	Weight
R8450/06	6U	3.2kg/7.05lb
R8450/08	8U	4kg/8.82lb
R8450/10	10U	4.15kg/9.15lb
R8450/12	12U	4.3kg/9.48lb
R8450/16	16U	4.8kg/10.58lb
R8450/20	20U	5.2kg/11.46lb
R8450/24	24U	6.2kg/13.67lb
R8450/28	28U	7.28kg/16.05lb
R8450/35	35U	18.6kg/41.01lb

Perforated Steel Doors

Part No.	Size	Weight
R8460/06	6U	3.38kg/7.45lb
R8460/08	8U	4kg/8.82lb
R8460/10	10U	4.5kg/9.92lb
R8460/12	12U	5kg/11.02lb
R8460/16	16U	5.5kg/12.13lb
R8460/20	20U	6.5kg/14.33lb
R8460/24	24U	7.5kg/16.53lb
R8460/28	28U	15.75kg/34.72lb
R8460/35	35U	19.68kg/43.39lb

Flat Pack Paquete Plano Selbstmontage Rack en kit Собири сам 平面包装机柜 تجميع الذاتي Lapraszerelt



CR Console Rack Enclosures

Flat pack sloping top console flat pack comms and AV rack with a 15 degree 12u sloping top console.
 - Front and rear mounting rails
 - Well ventilated top, base, front, and side sections
 - Pre punched for **Contractor castor base kit** (p.13)
 - Optional lockable **Contractor front doors** (p.13)
 - Optional RSP Contractor rear panels
 - Flat pack and easy assembly.

Console Rack Enclosures

Part No.	Finish	Description
CR04C600	Black Texture	4U
CR12C600	Black Texture	12U
CR16C600	Black Texture	16U

12 - Stand Alone Racks

Flat Pack Paquete Plano Selbstmontage Rack en kit Собираем 平面包装机柜 تجميع الذاتي Lapraszerelt



Bench Top Racks

Flat pack 435mm / 17.13" deep bench top comms and AV rack.

- Available in 2U, 4U, 6U and 8U.
- Front and rear mounting rails. Well-ventilated top/base, front and sides sections.
- Flat pack and easy assembly
- Use **Contractor Front Doors** (p.13)

Material: Steel

Bench Top Racks

Part No.	Finish	Size (U)	Depth	Internal Depth
R02C	Black	2U	453mm / 17.83"	390mm / 15.35"
R04C	Black	4U	453mm / 17.83"	390mm / 15.35"
R06C	Black	6U	453mm / 17.83"	390mm / 15.35"
R08C	Black	8U	453mm / 17.83"	390mm / 15.35"

Accessories

Part No.	Description
WMK0608	Wall Mount Kit for 6U and 8U Racks

Flat Pack Paquete Plano Selbstmontage Rack en kit Собираем 平面包装机柜 تجميع الذاتي Lapraszerelt



Contractor Rack Enclosures

Flat pack 457mm / 17.99" and 600mm / 23.62" deep rack enclosures with stylish, modern appearance.

- Overall width: 543mm / 21.38"
- Front and rear mounting rails
- Well ventilated top, base, front sections
- Ventilation on side panels for 600mm / 23.62" deep models
- Pre punched for **Contractor castor base kit** (p.13)
- Optional lockable **Contractor front doors** (p.13)
- Optional **RP Contractor Rear Panels** (p.13)
- Flat pack and easy assembly.

Material: Steel

Finish: Black Texture

457mm / 17.99" Deep Rack Enclosures

Part No.	Size (U)	Depth	Internal Depth
R12C	12U	457mm / 17.99"	393mm / 15.47"
R16C	16U	457mm / 17.99"	393mm / 15.47"
R20C	20U	457mm / 17.99"	393mm / 15.47"
R24C	24U	457mm / 17.99"	393mm / 15.47"
R28C	28U	457mm / 17.99"	393mm / 15.47"
R32C	32U	457mm / 17.99"	393mm / 15.47"
R35C	35U	457mm / 17.99"	393mm / 15.47"

600mm / 23.62" Deep Rack Enclosures

Part No.	Size (U)	Depth	Internal Depth
R12C600	12U	600mm / 23.62"	560mm / 22.05"
R16C600	16U	600mm / 23.62"	560mm / 22.05"
R20C600	20U	600mm / 23.62"	560mm / 22.05"
R24C600	24U	600mm / 23.62"	560mm / 22.05"
R28C600	28U	600mm / 23.62"	560mm / 22.05"
R32C600	32U	600mm / 23.62"	560mm / 22.05"
R35C600	35U	600mm / 23.62"	560mm / 22.05"

Accessories

Part No.	Description
WMK1216	Wall Mount Kit for 12U & 16U Racks

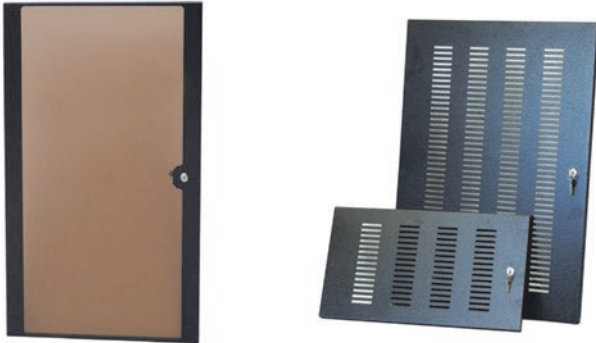


RP Contractor Rear Panels

Slam shut rear panel system for contractor racks. Comprised of 3 sizes that work together to create all of the rack sizes available in our range. All Panels are vented and include a 1U space for blank, vented, or cable access rack panels.

Material: Steel

Part No.	Size (U)	Description
RP06	6U	Contractor Rear Panels
RP08	8U	Contractor Rear Panels
RP12	12U	Contractor Rear Panels



Contractor Front Doors

Locking front doors for the contractor rack series are available in smoked grey polycarbonate or vented steel. Product comes fully assembled with barrel locks and 2 keys, and can be retrofitted after installation. Replacement keys are available as they are all keyed alike.

Material: Steel/Polycarbonate

Finish: Black

Contractor Smoked Polycarbonate Doors

Part No.	Size (U)
PGRD06C	6U
PGRD08C	8U
PGRD12C	12U
PGRD16C	16U
PGRD20C	20U
PGRD24C	24U
PGRD28C	28U
PGRD32C	32U
PGRD35C	35U

Contractor Vented Doors

Part No.	Size (U)
RD06C	6U
RD08C	8U
RD12C	12U
RD16C	16U
RD20C	20U
RD24C	24U
RD28C	28U
RD32C	32U
RD35C	35U

Accessories

Part No.	Size (U)
DL01	Replacement Barrel Lock and Key



Contractor Castor Base Kit

Castor base kit for contractor, wood shell and credenza racks. Comprised of 4 heavy duty 70mm / 2.76" castors with fixings. Contractor castor base kit includes MDF load-bearing panels. Max load rating: 150kg/330.69lb.

Material: Steel

Part No.	Description
RCB-600	Castor Base for Contractor Racks
RCB-600B	Breaked Castor Base for Contractor Racks
RCBWR	Castor Base for Wood & Wood Shell Racks
CZRCB	Castor Base for Credenza Racks

R8010 - Slide and Rotate Rack

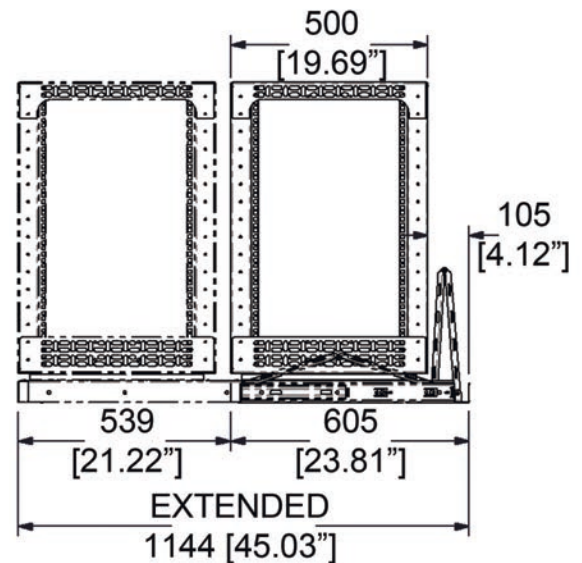
Flat Pack Paquete Plano Selbstmontage Rack en kit Собери сам 平面包装机柜 تجميع الذاتي Lapraszerelt



Upgraded Design

A simple and innovative design for quick and easy access to your equipment.

The R8010, or the 19" Slide and Rotate Rack, with cable management bar is designed for greater accessibility to rack mount equipment and cables.



- Slides out to 550mm / 22"
- Rotates 360° in either direction
- Locking base with 2 slam locks
- Rotation Lock 60° Increments
- Rear Folding Cable Management Tray.
- Locking Base with Integrated Latch & Handle

The Base Plate is designed to be securely bolted or screwed to a solid, flat surface to ensure maximum stability.



The R8010 19-Inch Slide and Rotate rack consists of a Top Unit, Rotating Base Unit and a Folding Cable Management Bar.

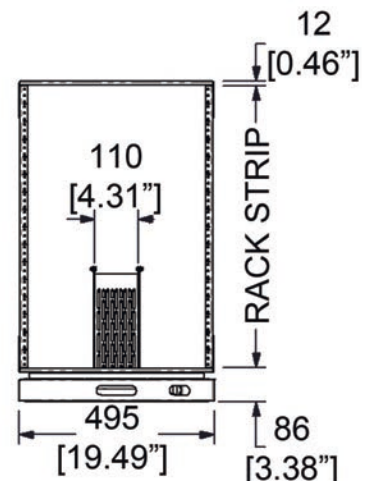
Choose a rail height, from 2U up to 25U (recommended max height):

Quick assembly: under 30 minutes

Maximum load capacity: 60Kg / 130Lb

Rack rails available:

- **M6 Threaded Holes:** R0883-M6 Double Rack Rails. 
- **10/32 Threaded Holes:** R0883-1032 Double Rack Rails. 



Flat Pack Paquete Plano Selbstmontage Rack en kit Собери сам 平面包装机柜 تجميع الذاتي Lapraszerelt



R2020 - Modular Rack Tower

Modular rack tower system with a footprint of only 500mm x 500mm / 19.69" x 19.69" which makes it ideal for installations in tight and restricted spaces. Also available in 460mm / 18.11", 600mm / 23.62" and 800mm / 31.5" deep versions, which include a 1U space for blank, vented, or cable access rack panels in the base.

Flat Pack comes with:

- 2 top and base units (pre-punched for castors)
- 4 rails (choose from 12u to 28u)
- All the required fasteners
- Add castors kit: 50mm / 1.97" swivel castors (2 with brakes and 2 without brakes)
- Add side panels: (only available for R2020-16U); 500mm / 19.69" deep, 16U high

Material: Steel

Finish: Black

Rack Tower - 460mm / 18.11" Deep

Part No.	Size (U)	Height
R2020-46-12U	12U	575mm / 22.64"
R2020-46-14U	14U	664mm / 26.14"
R2020-46-16U	16U	753mm / 29.65"
R2020-46-18U	18U	842mm / 33.15"
R2020-46-20U	22U	931mm / 36.65"
R2020-46-24U	24U	1.11m / 44"
R2020-46-25U	25U	1.15m / 45"
R2020-46-28U	28U	1.29m / 51"

Rack Tower - 500mm / 19.69" Deep

Part No.	Size (U)	Height
R2020-12U	12U	575mm / 22.64"
R2020-14U	14U	664mm / 26.14"
R2020-16U	16U	753mm / 29.65"
R2020-18U	18U	842mm / 33.15"
R2020-20U	20U	931mm / 36.65"
R2020-24U	24U	1.11m / 44"
R2020-25U	25U	1.15m / 45"
R2020-28U	28U	1.29m / 51"

Rack Tower - 600mm / 23.62" Deep

Part No.	Size (U)	Height
R2020-60-12U	12U	575mm / 22.64"
R2020-60-14U	14U	664mm / 26.14"
R2020-60-16U	16U	753mm / 29.65"
R2020-60-18U	18U	842mm / 33.15"
R2020-60-20U	20U	931mm / 36.65"
R2020-60-24U	24U	1.11m / 44"
R2020-60-25U	25U	1.15m / 45"
R2020-60-28U	28U	1.29m / 51"

Rack Tower - 800mm / 31.5" Deep

Part No.	Size (U)	Height
R2020-80-12U	12U	575mm / 22.64"
R2020-80-14U	14U	664mm / 26.14"
R2020-80-16U	16U	753mm / 29.65"
R2020-80-18U	18U	842mm / 33.15"
R2020-80-20U	20U	931mm / 36.65"
R2020-80-24U	24U	1.11m / 44"
R2020-80-25U	25U	1.15m / 45"
R2020-80-28U	28U	1.29m / 51"

Rack Tower with M6 Rack Rails

Part No.	Size (U)	Height
R2020-xxU/M6	500mm / 19.69" Deep, Replace xx with U size	
R2020-60-xxU/M6	600mm / 23.62" Deep, Replace xx with U size	
R2020-80-xxU/M6	800mm / 31.5" Deep, Replace xx with U size	

Rack Tower with 10/32 Rack Rails

Part No.	Size (U)	Height
R2020-xxU/10-32	500mm / 19.69" Deep, Replace xx with U size	
R2020-60-xxU/10-32	600mm / 23.62" Deep, Replace xx with U size	
R2020-80-xxU/10-32	800mm / 31.5" Deep, Replace xx with U size	

Accessories

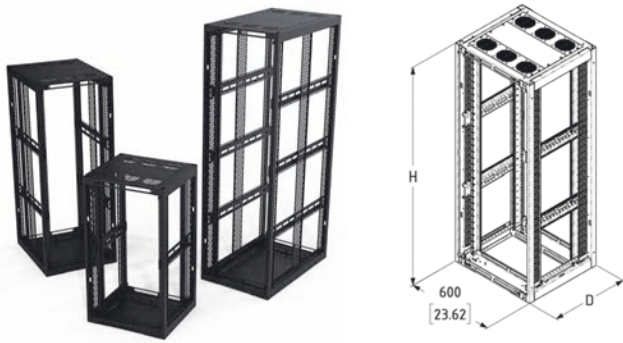
Part No.	Description
R2020-CASTOR-KIT	Castor Kit for R2020 Rack Tower (Fasteners Included)
R2020-SP-16U	Pair of Side Panels for R2020-16U



Scan to Watch
Our Video

Or Visit:
youtu.be/N7gz8UrPYCk





R4006-OT - 600mm / 24" Wide, Metric Open Rack Tower
NEW!

600mm / 23.62" Wide Open Rack Tower, with **M6 Threaded Rail**.
Available Depths: 540mm / 21.26", 740mm / 29.13" and 940mm / 37.01"
Available Heights: From 18U to 47U

Features

- Simple assembly
 - Adjustable Threaded Rack Rails
 - Integral cable trays
 - Optional Side Doors
 - Earth Points and Gangable
- Custom Sizes & Colours available.

Material: Steel

Finish: Black

600mm x 540mm / 24" x 21"

Part No.	Size (U)	Height (H)
R4066-OT-18UK	18U	902mm / 35.51"
R4066-OT-22UK	22U	1.08m / 43"
R4066-OT-27UK	27U	1.3m / 51"
R4066-OT-32UK	32U	1.52m / 60"
R4066-OT-35UK	35U	1.66m / 65"
R4066-OT-37UK	37U	1.75m / 69"
R4066-OT-42UK	42U	1.97m / 77"
R4066-OT-45UK	45U	2.1m / 83"
R4066-OT-47UK	47U	2.19m / 86"

600mm x 740mm / 24" x 29"

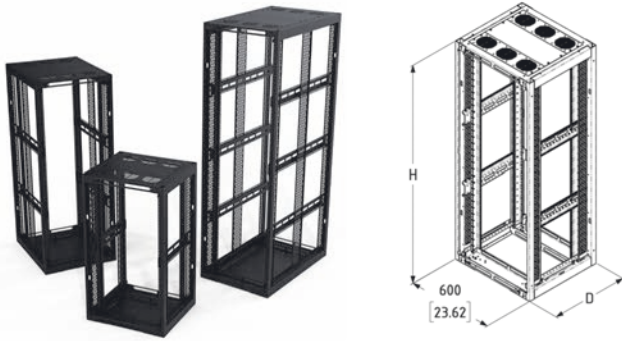
Part No.	Size (U)	Height (H)
R4086-OT-18UK	18U	902mm / 35.51"
R4086-OT-22UK	22U	1.08m / 43"
R4086-OT-27UK	27U	1.3m / 51"
R4086-OT-32UK	32U	1.52m / 60"
R4086-OT-35UK	35U	1.66m / 65"
R4086-OT-37UK	37U	1.75m / 69"
R4086-OT-42UK	42U	1.97m / 77"
R4086-OT-45UK	45U	2.1m / 83"
R4086-OT-47UK	47U	2.19m / 86"

600mm x 940mm / 24" x 37"

Part No.	Size (U)	Height (H)
R4106-OT-22UK	22U	1.08m / 43"
R4106-OT-27UK	27U	1.3m / 51"
R4106-OT-32UK	32U	1.52m / 60"
R4106-OT-35UK	35U	1.66m / 65"
R4106-OT-37UK	37U	1.75m / 69"
R4106-OT-42UK	42U	1.97m / 77"
R4106-OT-45UK	45U	2.1m / 83"
R4106-OT-47UK	47U	2.19m / 86"

Side Door Packs

Part No.	Description	Size (U)
R4066-SDPK-xxUK	Pack of 2 Side Doors for R4066 Racks	Replace xx with U size
R4086-SDPK-xxUK	Pack of 2 Side Doors for R4086 Racks	Replace xx with U size
R4106-SDPK-xxUK	Pack of 2 Side Doors for R4106 Racks	Replace xx with U size



R5006-OT - 600mm / 24" Wide, Imperial Open Rack Tower *NEW!*

600mm / 23.62" Wide Open Rack Tower, with **10-32 Threaded Rail**.
Available Depths: 540mm / 21.26", 740mm / 29.13" and 940mm / 37.01"
Available Heights: From 18U to 47U

Features

- Simple assembly
 - Adjustable Threaded Rack Rails
 - Integral cable trays
 - Optional Side Doors
 - Earth Points and Gangable
- Custom Sizes & Colours available.

Material: Steel

Finish: Black

600mm x 540mm / 24" x 21"

Part No.	Size (U)	Height (H)
R5066-OT-18UK	18U	902mm / 35.51"
R5066-OT-22UK	22U	1.08m / 43"
R5066-OT-27UK	27U	1.3m / 51"
R5066-OT-32UK	32U	1.52m / 60"
R5066-OT-35UK	35U	1.66m / 65"
R5066-OT-37UK	37U	1.75m / 69"
R5066-OT-42UK	42U	1.97m / 77"
R5066-OT-45UK	45U	2.1m / 83"
R5066-OT-47UK	447U	2.19m / 86"

600mm x 740mm / 24" x 29"

Part No.	Size (U)	Height (H)
R5086-OT-18UK	18U	902mm / 35.51"
R5086-OT-22UK	22U	1.08m / 43"
R5086-OT-27UK	27U	1.3m / 51"
R5086-OT-32UK	32U	1.52m / 60"
R5086-OT-35UK	35U	1.66m / 65"
R5086-OT-37UK	37U	1.75m / 69"
R5086-OT-42UK	42U	1.97m / 77"
R5086-OT-45UK	45U	2.1m / 83"
R5086-OT-47UK	47U	2.19m / 86"

600mm x 940mm / 24" x 37"

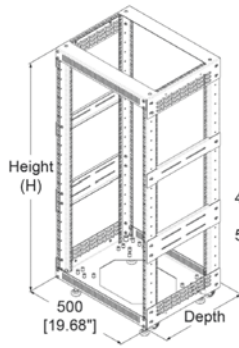
Part No.	Size (U)	Height (H)
R5106-OT-22UK	22U	1.08m / 43"
R5106-OT-27UK	27U	1.3m / 51"
R5106-OT-32UK	32U	1.52m / 60"
R5106-OT-35UK	35U	1.66m / 65"
R5106-OT-37UK	37U	1.75m / 69"
R5106-OT-42UK	42U	1.97m / 77"
R5106-OT-45UK	45U	2.1m / 83"
R5106-OT-47UK	47U	2.19m / 86"

Side Door Packs

Part No.	Description	Size (U)
R4066-SDPK-xxUK	Pack of 2 Side Doors for R4066 Racks	Replace xx with U size
R4086-SDPK-xxUK	Pack of 2 Side Doors for R4086 Racks	Replace xx with U size
R4106-SDPK-xxUK	Pack of 2 Side Doors for R4106 Racks	Replace xx with U size

18 - Open Tower Racks

Flat Pack Paquete Plano Selbstmontage Rack en kit Собери сам 平面包装机柜 تجميع الذاتي Lapraszerelt



Depth
R8200-16:
400 [15.75"]
R8200-20:
510 [20.08"]

R8200 - Open Rack Tower System

19" open rack tower system, 8U rack space in top unit.

Flat Pack

Includes **R0883** (p.41) rack rail, 4 x R8250 double cross brace and 4 x **W0950** (p.107) Castor/Foot.

Base unit with fixings for M12 adjuster feet or castors. Heavy duty castors and heavy duty feet are available as an optional extra.

- Heavy duty feet: **F3000** (p.107)

- Heavy duty castors: W0980 and W0980/B or W0990/80 and W0985/80 or W0990-V6 and W0985-V6 castors.

Suitable fasteners for racking equipment are **S1170** (p.112) , **S1045K** (p.111) & **S1941** (p.111) or **S1940** (p.111) .

Use Rack Shelf Support R8840-14 400mm / 15.75" Deep Version.

Use Rack Shelf Support R8840-16 510mm / 20.08" Deep Version.

Material: Steel

Finish: Black

400mm / 15.75" Deep

Part No.	Size (U)	Height (H)
R8200-16/8UK	8U	449mm / 17.68"
R8200-16/10UK	10U	538mm / 21.18"
R8200-16/12UK	12U	627mm / 24.68"
R8200-16/15UK	15U	760mm / 29.92"
R8200-16/16UK	16U	805mm / 31.69"
R8200-16/18UK	18U	894mm / 35.2"
R8200-16/22UK	22U	1.07m / 42"
R8200-16/24UK	24U	1.16m / 46"
R8200-16/28UK	28U	1.34m / 53"
R8200-16/30UK	30U	1.43m / 56"
R8200-16/33UK	33U	1.56m / 61"
R8200-16/35UK	35U	1.65m / 65"
R8200-16/39UK	39U	1.83m / 72"
R8200-16/43UK	43U	2m / 79"

510mm / 20.08" Deep

Part No.	Size (U)	Height (H)
R8200-20/10UK	10U	538mm / 21.18"
R8200-20/12UK	12U	627mm / 24.68"
R8200-20/16UK	16U	805mm / 31.69"
R8200-20/18UK	18U	894mm / 35.2"
R8200-20/20UK	20U	987mm / 38.86"
R8200-20/22UK	22U	1.07m / 42"
R8200-20/24UK	24U	1.16m / 46"
R8200-20/28UK	28U	1.34m / 53"
R8200-20/30UK	30U	1.43m / 56"
R8200-20/32UK	32U	1.52m / 60"
R8200-20/33UK	33U	1.56m / 61"
R8200-20/34UK	34U	1.6m / 63"
R8200-20/35UK	35U	1.65m / 65"
R8200-20/39UK	39U	1.83m / 72"
R8200-20/40UK	40U	1.87m / 74"
R8200-20/43UK	43U	2m / 79"



R8200-Accessories

Components and accessories for R8200 racking system.

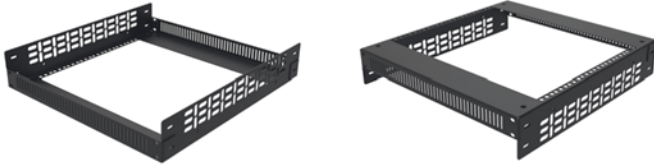
-Base Unit with fixings for M12 adjuster feet, or W0980 / W0985 / W0990 castors.

-Top Unit with 8U Rack Space.

-Single and double cross braces for cable management or mounting additional rack strips.

-Suitable fasteners for racking equipment are **S1170** (p.112) , **S1045K** (p.111) and **S1941** (p.111) or **S1940** (p.111) .

Material: 2.0mm / 14 gauge Steel



Base Unit

Part No.	Description
R8210/16	Base Unit: 400mm / 15.75" Deep
R8210/20	Base Unit: 510mm / 20.08" Deep



Top Unit

Part No.	Description
R8220/16	Top Unit: 400mm / 15.75" Deep
R8220/20	Top Unit: 510mm / 20.08" Deep



Cross Braces

Part No.	Description	Weight
R8250/16	Single Cross Brace: 400mm / 15.75" Deep	0.58kg/1.28lb
R8252/16	Double Cross Brace: 400mm / 15.75" Deep	
R8250/20	Single Cross Brace: 510mm / 20.08" Deep	
R8251/20	Pack of two Single Cross Braces (510mm / 20.08" Deep) with Screw Pack	
R8252/20	Double Cross Brace: 510mm / 20.08" Deep	
R8253/20	Pack of two Double Cross Braces (510mm / 20.08" Deep) with Screw Pack	



Fasteners

Part No.	Description	Weight
R8290	Screw Set for R0863 and R0883 Rack Strip	56g/1.98oz
R8292	Screw Set for R0863/2mm and R0883/2mm Rack Strip	90g/3.17oz
R8293	Imperial Screw Set for R0828 USA Rail	50g/1.76oz
R8298	Set of 8 Spacers for Imperial Rack Rail	



Feet & Castors

Part No.	Description	Weight
R8295	Set of 4 Adjuster Feet with M12 thread. Adds from 30mm / 1.18" (min) to 95mm / 3.74" (max)	50g/1.76oz

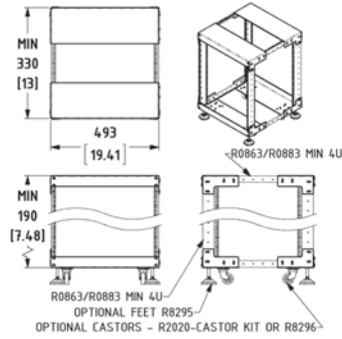


20 - Open Tower Racks

Flat Pack Paquete Plano Selbstmontage Rack en kit Собираем сам 平面包装机柜 تجميع الذاتي Lapraszerelt

Open Tower Racks

R8230 - Open Tower Rack System



Simple **flat pack** open tower rack system.
Works with **R0863** (p.41) or **R0883** (p.41) rack strip (minimum 4U) for any size or depth rack.
Optional adjustable feet **F3000** (p.107) and castor kits **R8480** (p.11) or R2020-CASTOR KIT are available.
Material: 2mm Steel

Part No.	Finish	Description
R8230-TB	Black	Top and Base Kit
R8230-SP15		Screw Pack for R0863 (p.41) and R0883 (p.41) Rack Strips
R8230-SP20		Screw Pack for R0863/2mm (p.41) and R0883/2mm (p.41) Rack Strips

Flat Pack Paquete Plano Selbstmontage Rack en kit Собираем сам 平面包装机柜 تجميع الذاتي Lapraszerelt



RP Rack Pack System

Rack Pack System. Aluminium Frame System with Plastic Corners.
550mm x 550mm / 21.65" x 21.65", see below for height.
Flat Pack

Material: Aluminium and Plastic

Part No.	Size (U)	Height
RP550-06U	6U	367.9mm / 14.48"
RP550-12U	12U	634.6mm / 24.98"
RP550-16U	16U	812.4mm / 31.98"
RP550-24U	24U	1.17m / 46"

STAGE BOXES

P. 171

COMPUTER HOLDERS

P. 175

CABLE CROSSOVERS

P. 180

MEETING PODS

P. 184

R6400 / R6600 - Wall Mounts

With their solid high end construction, the R6400 and R6600 Series are a high quality solution for all of your AV and IT requirements at an affordable cost.

Ideal for smaller installations or for house systems, these rack enclosures ally convenience and aesthetic with its multiple features and stylish finish.

Many Standard and Custom Colors



Vented Design

Designed with vents and hole patterns on the top to mount thermal management systems, as well as vents on top and base sides. It also comes with an optional vented front door.



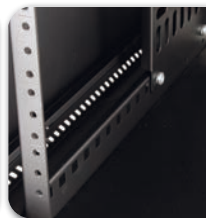
Integrated Cable Management Sys-

The R6400 & R6600 series comes standard with an integrated cable management bar to help you keep your installation nice and tidy.



Threaded Rack Rails

No more clip nuts. All our racks come with threaded rack rails marked units in order to ease the installation of any of equipment. Available with M6 or 10/32 threads.



Adjustable Mounting Depth

The adjustable front and rear rack strips allow to change the mounting depth of the enclosure in order to adapt to any type of material.



Removable Side Panels

The R6400 & R6600 series comes with removable side panels with an easy slam lock opening and closing system.



Lockable Door and Side Panels

The front door comes with a key lock system to avail any unwanted tempering. Optional side panels key locks also available.



1U Knockout Panels

Several 1U knockout panels on the top, base and bottom of the rack for cable managements or to set up fitted or patch panels.



Optional Castors and Adjustable

An optional base with M8 threaded holes is available in order to easily mount castors or adjustable feet on the R6400 & R6600 series enclosures.

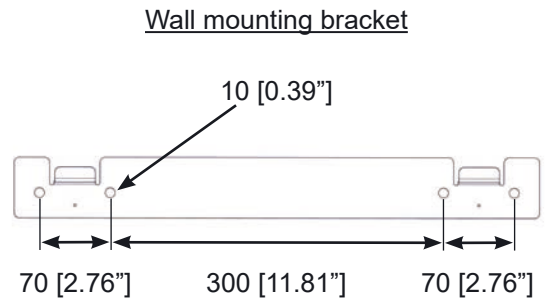
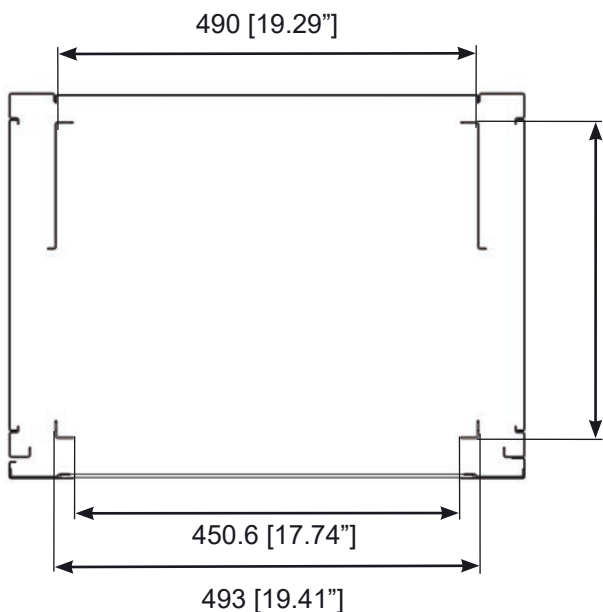
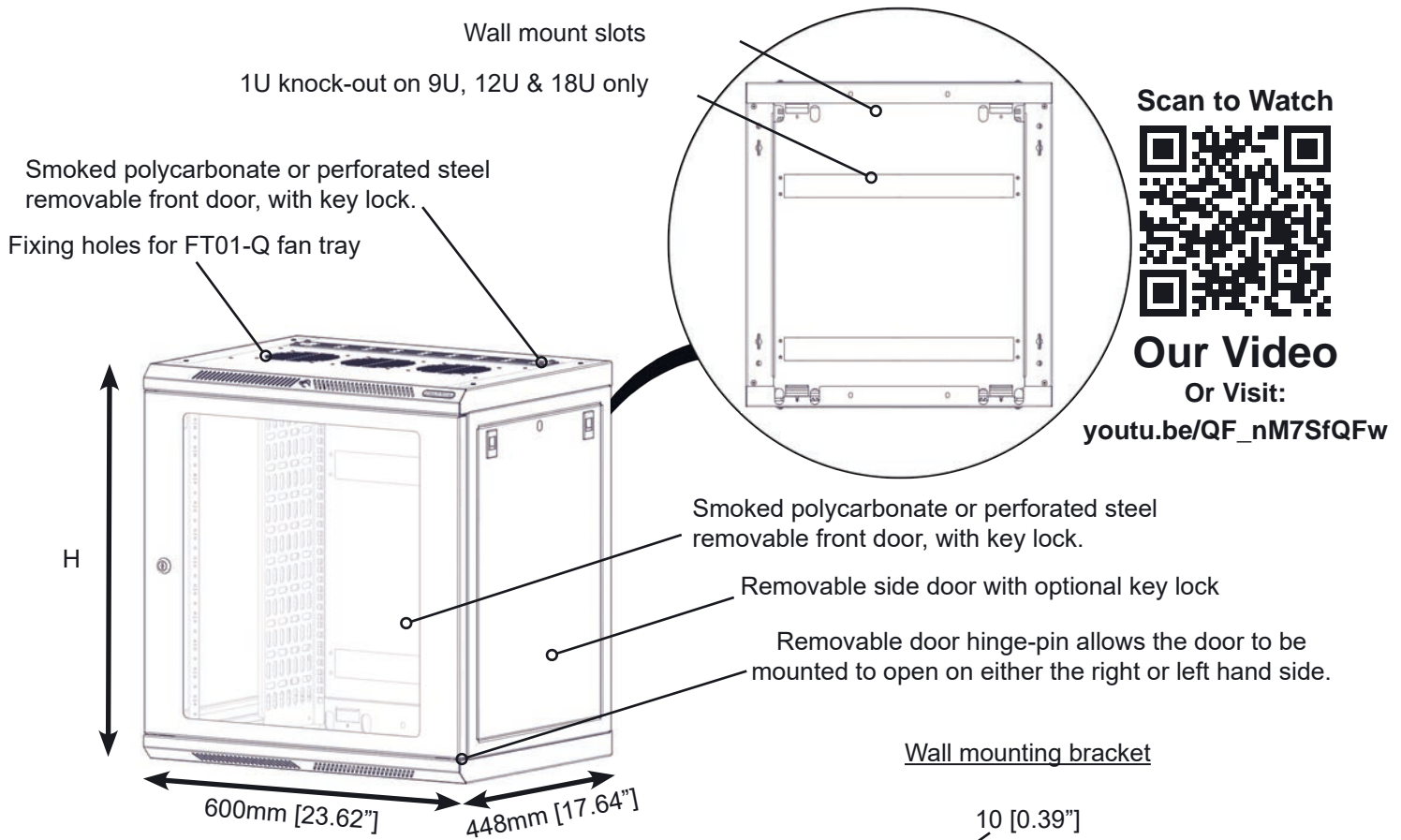
Available Unit Sizes:	6U, 9U, 12U or 18U
Available Depths:	400mm / 18" or 600mm / 24"
Width:	600mm / 24"

Available Front Doors:	Smoked polycarbonate or Vented steel
Load Capacity:	60kg / 132lb
Mounting Bracket:	Included

R6400 Series: 400mm / 18" Deep Wall Mounts Enclosures

	Part No.	Rail Thread	Finish	Weight	Door Type	Rack Units	Height		
	R6406-M6	M6	Black	21kg 46lb	Polycarbonate	6U	367mm 14.5"		
	R6406-1032	10/32							
	R6406-W-M6	M6	White						
	R6406-W-1032	10/32							
	R6406V-M6	M6	Black	21kg 46lb	Vented steel				
	R6406V-1032	10/32							
	R6406V-W-M6	M6	White						
	R6406V-W-1032	10/32							
	R6409-M6	M6	Black			25kg 55lb	Polycarbonate	9U	500mm 20"
	R6409-1032	10/32							
	R6409-W-M6	M6	White						
	R6409-W-1032	10/32							
	R6409V-M6	M6	Black	25kg 55lb	Vented steel				
	R6409V-1032	10/32							
	R6409V-W-M6	M6	White						
	R6409V-W-1032	10/32							
	R6412-M6	M6	Black			28kg 62lb	Polycarbonate	12U	633mm 25"
	R6412-1032	10/32							
	R6412-W-M6	M6	White						
	R6412-W-1032	10/32							
	R6412V-M6	M6	Black	27.5kg 61lb	Vented steel				
	R6412V-1032	10/32							
	R6412V-W-M6	M6	White						
	R6412V-W-1032	10/32							
	R6418-M6	M6	Black			34kg 75lb	Polycarbonate	18U	900mm 35.5"
	R6418-1032	10/32							
	R6418-W-M6	M6	White						
	R6418-W-1032	10/32							
	R6418V-M6	M6	Black	33kg 73lb	Vented steel				
	R6418V-1032	10/32							
	R6418V-W-M6	M6	White						
	R6418V-W-1032	10/32							

R6400 Series: 400mm / 18" Deep Wall Mounts Enclosures

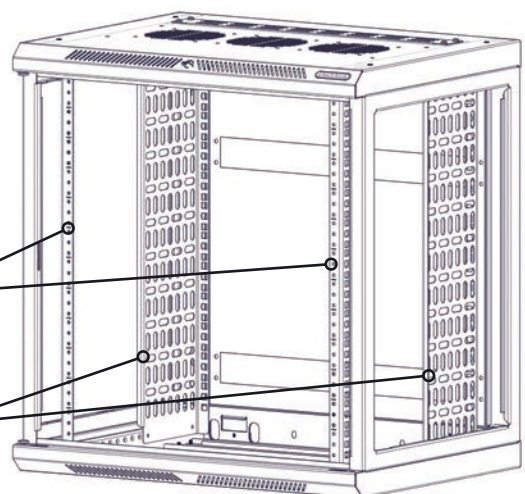


Max 406 [15.98"]
Min 186 [7.32"]

Part No.	H
R6406	366.7 [14.44"]
R6409	500 [19.68"]
R6412	633.4 [24.94"]
R6418	900 [35.43"]

(Reversible, square or tapped hole) rack strips M6 Europe or 10-32 USA tapped

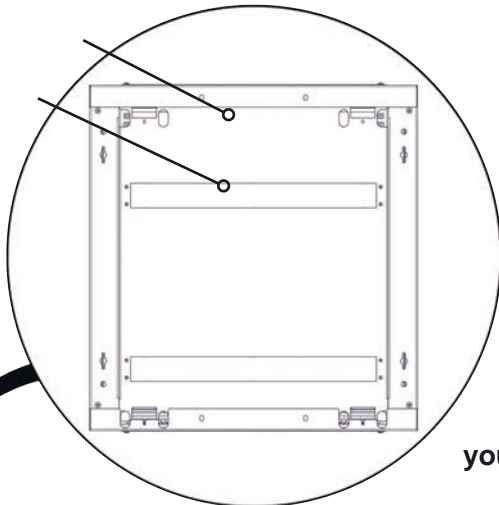
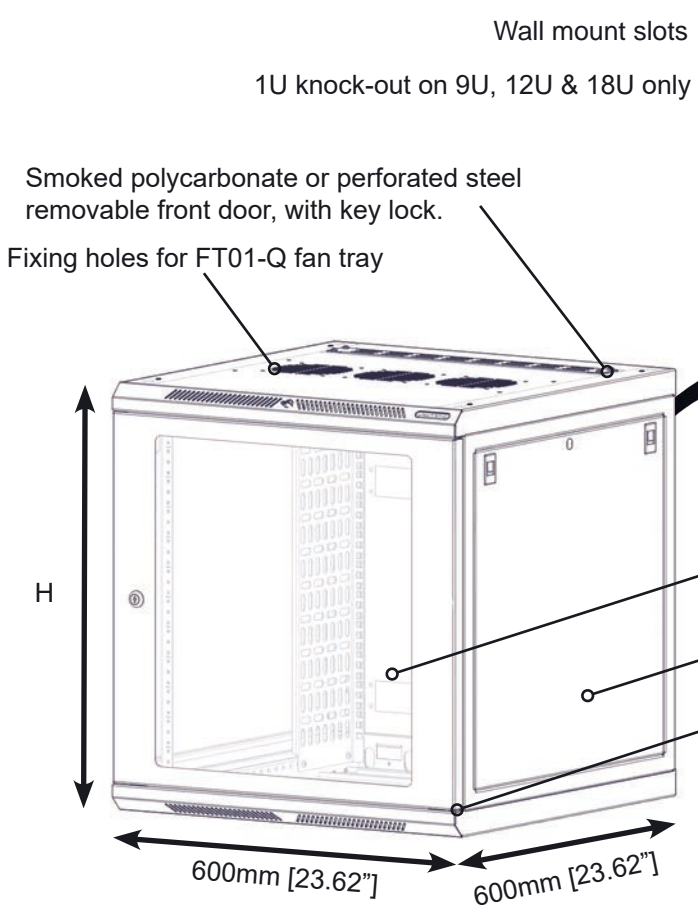
Adjustable rear rack strips with integral 150 [5.9"] cable tray



R6600 Series: 600mm / 24" Deep Wall Mounts Enclosures

	Part No.	Rail Thread	Finish	Weight	Door Type	Rack Units	Height		
	R6606-M6	M6	Black	25kg 55lb	Polycarbonate	6U	367mm 14.5"		
	R6606-1032	10/32							
	R6606-W-M6	M6	White						
	R6606-W-1032	10/32							
	R6606V-M6	M6	Black	25kg 55lb	Vented steel				
	R6606V-1032	10/32							
	R6606V-W-M6	M6	White						
	R6606V-W-1032	10/32							
	R6609-M6	M6	Black			28kg 62lb	Polycarbonate	9U	500mm 20"
	R6609-1032	10/32							
	R6609-W-M6	M6	White						
	R6609-W-1032	10/32							
	R6609V-M6	M6	Black	28kg 62lb	Vented steel				
	R6609V-1032	10/32							
	R6609V-W-M6	M6	White						
	R6609V-W-1032	10/32							
	R6612-M6	M6	Black			31kg 68lb	Polycarbonate	12U	633mm 25"
	R6612-1032	10/32							
	R6612-W-M6	M6	White						
	R6612-W-1032	10/32							
	R6612V-M6	M6	Black	30.5kg 67lb	Vented steel				
	R6612V-1032	10/32							
	R6612V-W-M6	M6	White						
	R6612V-W-1032	10/32							
	R6618-M6	M6	Black			36kg 79lb	Polycarbonate	18U	900mm 35.5"
	R6618-1032	10/32							
	R6618-W-M6	M6	White						
	R6618-W-1032	10/32							
	R6618V-M6	M6	Black	35kg 77lb	Vented steel				
	R6618V-1032	10/32							
	R6618V-W-M6	M6	White						
	R6618V-W-1032	10/32							

R6600 Series: 600mm / 24" Deep Wall Mounts Enclosures



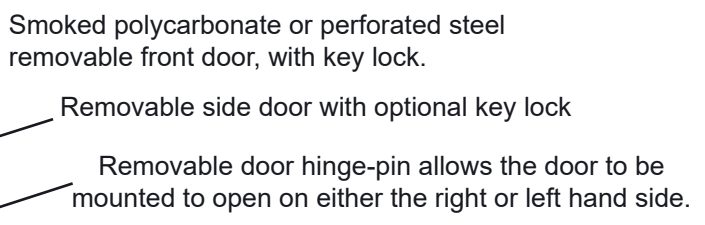
Scan to Watch



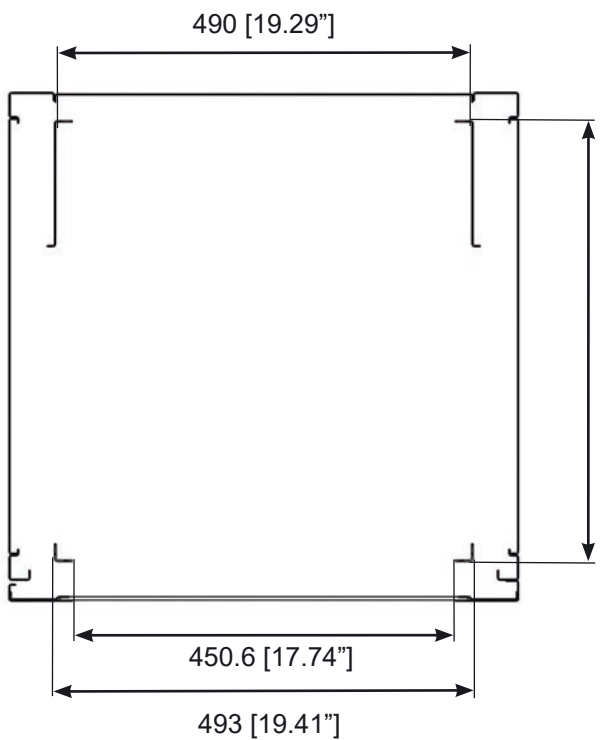
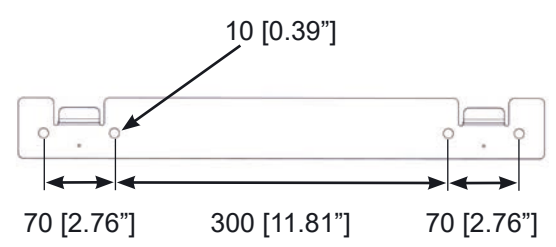
Our Video

Or Visit:

youtu.be/ylrVI6DywNE



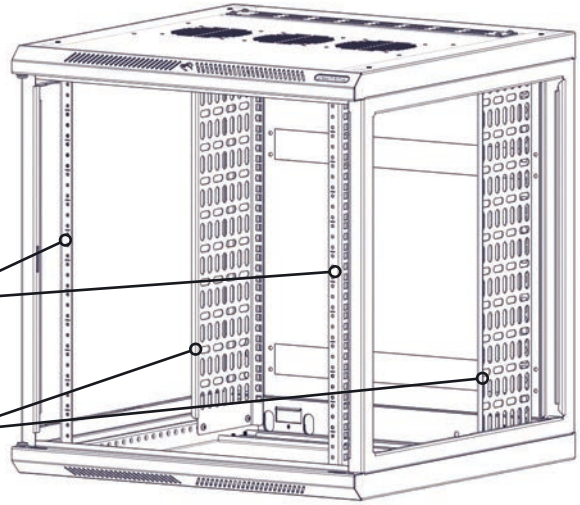
Wall mounting bracket

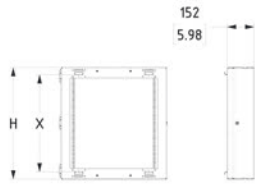


Part No.	H
R6606	366.7 [14.44"]
R6609	500 [19.68"]
R6612	633.4 [24.94"]
R6618	900 [35.43"]

(Reversible, square or tapped hole) rack strips M6 Europe or 10-32 USA tapped

Adjustable rear rack strips with integral 150 [5.9"] cable tray





	H	W	D
R6400-RHF-6U	366.7 / 14.44	284.7 / 11.2	152 / 6
R6400-RHF-9U	500 / 19.69	418 / 16.46	152 / 6
R6400-RHF-12U	633.4 / 24.94	551.4 / 21.71	152 / 6
R6400-RHF-18U	902 / 35.43	818 / 32.2	152 / 6

R6400-RHF - Rear Hinged Frame

The new R6400-RHF rear hinged frame turns wall mount cabinets into hinged double section cabinets.

With a depth of only 152mm/ 6", the bracket is an unobtrusive fixture that can easily support the weight of a fully loaded rack, and enables it to securely swing away from the wall. This gives installation professionals unrivalled accessibility to the rear of the rack, making it easier than ever to run cables, replace equipment parts, or keep up general maintenance of the rack's contents. The slam shut system also creates an easy to use open/close function.

The bracket is available for 6U, 9U, 12U and 18U racks.

Compatible with:

- **R6425 / R6525** (p.28) 250mm / 10" Deep Wall Mount Enclosures
- **R6400** (p.21) 400mm / 18" Deep Wall Mount Enclosures
- **R6600** (p.23) 600mm / 24" Deep Wall Mount Enclosures

Part No.	Finish	U Size	Weight
R6400-RHF-6U	Black	6U	7.8kg/17.2lb
R6400-RHF-9U	Black	9U	9.1kg/20.06lb
R6400-RHF-12U	Black	12U	10.5kg/23.15lb
R6400-RHF-18U	Black	18U	12.9kg/28.44lb

Accessories

Part No.	U Size
R64/R66-SCREW-PACK	Coach bolts kit to anchor wall mount racks

R6400-RHF KIT

Our flagship **R6400** (p.21) 450mm / 17.72" Deep Wall Mount Rack Cabinet Series, factory fitted with the **R6400-RHF** (p.26) double hinged swing-out frame for unrivalled rear access.

Cabinet:

- Fitted with reversible threaded and square hole rails
- Removable side panels and front door (also lockable)
- Integrated cable management rails and knockouts
- 3 top fans vents to assist airflow cooling

Frame:

- Reversible, choose either left or right hinged
- Heavy-duty hinges bear a load of 50kg/110.23lb
- Threaded or square hole rails supplied
- 1U knockouts for cable access
- Frame is separately lockable

Material: Steel



M6 Rack Rails

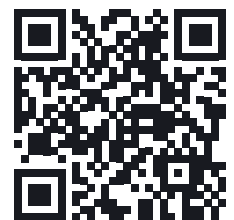
Part No.	Finish	Size (U)	Weight
R6406RHF-M6	Black	6U	28.8kg/63.49lb
R6409RHF-M6	Black	9U	34.1kg/75.18lb
R6412RHF-M6	Black	12U	38.5kg/84.88lb
R6418RHF-M6	Black	18U	46.9kg/103.4lb

10/32 Rack Rails

Part No.	Finish	Size (U)	Weight
R6406RHF-1032	Black	6U	28.8kg/63.49lb
R6409RHF-1032	Black	9U	34.1kg/75.18lb
R6412RHF-1032	Black	12U	38.5kg/84.88lb
R6418RHF-1032	Black	18U	46.9kg/103.4lb



Scan to Watch

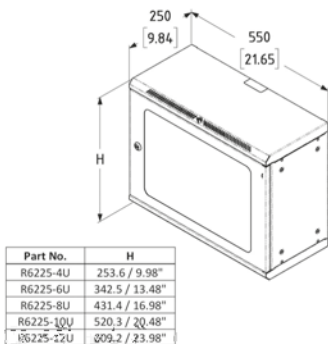


Our Video

Or Visit:

youtu.be/pOvfx65eWE0

R6225 - 250mm / 10" Deep Wall Mount Rack *NEW!*



Wall Mount Racks

Wall Mount Rack, 250mm / 9.84" Deep, with M6 Threaded Rack Rail

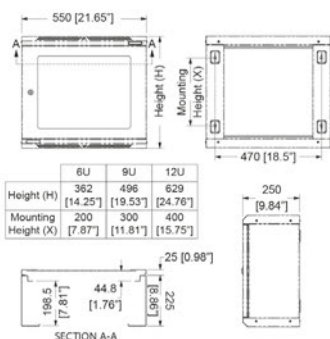
Removable outer skin for easy access.

Cable Knock-outs in Top and Base.

Material: Steel

Finish: Black

Part No.	Size (U)	Height (H)
R6225-4UK	4U	253.6mm / 9.98"
R6225-6UK	6U	342.5mm / 13.48"
R6225-8UK	8U	432.4mm / 17.02"
R6225-10UK	10U	520.3mm / 20.48"
R6225-12UK	12U	609.2mm / 23.98"



R6025 - Shallow Wall Mount Rack

Shallow wall mount rack, available threaded M6 or 10/32 UNF

Depth: 250mm / 9.84"

Lockable front door

M6 Rack Rails

Part No.	Finish	Size (U)	Height (H)
R6025-M6-6U	Black	6U	362mm / 14.25"
R6025-M6-9U	Black	9U	496mm / 19.53"
R6025-M6-12U	Black	12U	629mm / 24.76"

10/32 Rack Rails

Part No.	Finish	Size (U)	Height (H)
R6025-1032-6U	Black	6U	362mm / 14.25"
R6025-1032-9U	Black	9U	496mm / 19.53"
R6025-1032-12U	Black	12U	629mm / 24.76"

LAPTOP DRAWERS

P. 66

PLAIN PANELS

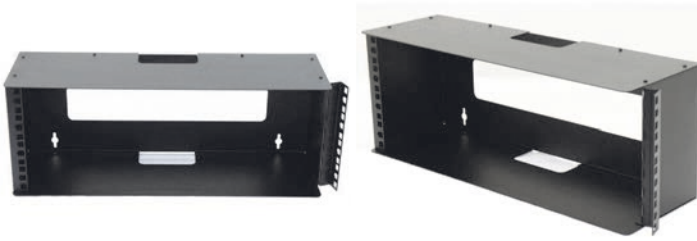
P. 67

CORNER PANELS

P. 70

PERFORATED PANELS

P. 70



R2520

Rack mount wall bracket with hinged rack strip and cable exit. Other sizes can be manufactured. Also available with 10/32 rack rail.



Scan to Watch Our Video

Or Visit: youtu.be/kHcafCNYnWc

Material: Steel

Square Holes - 150mm / 5.91" Deep

Part No.	Finish	Size (U)	Depth	Hole Types
R2520-2U	Black	2U	150mm / 5.91"	Square Holes
R2520-3U	Black	3U	150mm / 5.91"	Square Holes
R2520-4U	Black	4U	150mm / 5.91"	Square Holes
R2520-5U	Black	5U	150mm / 5.91"	Square Holes
R2520-6U	Black	6U	150mm / 5.91"	Square Holes

10/32 Holes - 150mm / 5.91" Deep

Part No.	Finish	Size (U)	Depth	Hole Types
R2520-1032-2UK	Black	2U NEW!	150mm / 5.91"	10/32 Threaded Holes
R2520-1032-3UK	Black	3U NEW!	150mm / 5.91"	10/32 Threaded Holes
R2520-1032-4UK	Black	4U NEW!	150mm / 5.91"	10/32 Threaded Holes
R2520-1032-5UK	Black	5U NEW!	150mm / 5.91"	10/32 Threaded Holes
R2520-1032-6UK	Black	6U NEW!	150mm / 5.91"	10/32 Threaded Holes

M6 Holes - 150mm / 5.91" Deep

Part No.	Finish	Size (U)	Depth	Hole Types
R2520-M6-2UK	Black	2U NEW!	150mm / 5.91"	M6 Threaded Holes
R2520-M6-3UK	Black	3U NEW!	150mm / 5.91"	M6 Threaded Holes
R2520-M6-4UK	Black	4U NEW!	150mm / 5.91"	M6 Threaded Holes
R2520-M6-5UK	Black	5U NEW!	150mm / 5.91"	M6 Threaded Holes
R2520-M6-6UK	Black	6U NEW!	150mm / 5.91"	M6 Threaded Holes

Square Holes - 300mm / 11.81" Deep

Part No.	Finish	Size (U)	Depth	Hole Types
R2530-2U	Black	2U NEW!	300mm / 11.81"	Square Holes
R2530-3U	Black	3U NEW!	300mm / 11.81"	Square Holes
R2530-4U	Black	4U NEW!	300mm / 11.81"	Square Holes
R2530-5U	Black	5U NEW!	300mm / 11.81"	Square Holes
R2530-6U	Black	6U NEW!	300mm / 11.81"	Square Holes



Scan to Watch



Our Video

Or Visit: youtu.be/zMEzgmGWHI

R6425 / R6525

High Quality, 250mm / 9.84" Deep, Wall Mount Rack Enclosures with:
 -Threaded Rack Rails
 -Integrated Internal Cable Management System
 -3-Fan Vents on the top
 -Cable Knock-Outs on the top, back and base
 -Lockable Front Door (choose from a Smoked Polycarbonate Door or Perforated Steel Door)
 Also Available in White
 Replacement Doors Available

M6 Rack Rails - Glass Door

Part No.	Finish	U Size	Height
R6425-6UK	Black	6U	366.7mm / 14.44"
R6425-6UW	White		
R6425-9UK	Black	9U	500mm / 19.69"
R6425-9UW	White		
R6425-12UK	Black	12U	633.4mm / 24.94"
R6425-12UW	White		

M6 Rack Rails - Vented Door

Part No.	Finish	U Size	Height
R6425V-6UK	Black	6U	366.7mm / 14.44"
R6425V-6UW	White		
R6425V-9UK	Black	9U	500mm / 19.69"
R6425V-9UW	White		
R6425V-12UK	Black	12U	633.4mm / 24.94"
R6425V-12UW	White		

10/32 Rack Rails - Glass Door

Part No.	Finish	U Size	Height
R6525-6UK	Black	6U	366.7mm / 14.44"
R6525-6UW	White		
R6525-9UK	Black	9U	500mm / 19.69"
R6525-9UW	White		
R6525-12UK	Black	12U	633.4mm / 24.94"
R6525-12UW	White		

10/32 Rack Rails - Vented Door

Part No.	Finish	U Size	Height
R6525V-6UK	Black	6U	366.7mm / 14.44"
R6525V-6UW	White		
R6525V-9UK	Black	9U	500mm / 19.69"
R6525V-9UW	White		
R6525V-12UK	Black	12U	633.4mm / 24.94"
R6525V-12UW	White		

AV ACCESSORIES

P. 103

RACK ACCESSORIES

P. 107

RACK FASTENERS

P. 110

CONNECTORS, CABLES & LEADS

NEUTRIK Amphenol

P. 113

Flat Pack Paquete Plano Selbstmontage Rack en kit Собери сам 平面包装机柜 تجميع الذاتي Lapraszerelt



WMR Wall Mount Rack Enclosures

Shallow wall mount rack enclosure

Adjustable M6 threaded rack rail, with 6 locations, giving a maximum front clearance of 90mm / 3.54". Rail can be cut for mixed depths. The top is vented and the base includes a 1U space for a blank, vented, or cable access rack panel.

Material: Steel

Finish: Black

Shallow Wall Mount Rack

Part No.	Size (U)
WMR06-300	6U
WMR08-300	8U
WMR12-300	12U
WMR16-300	16U

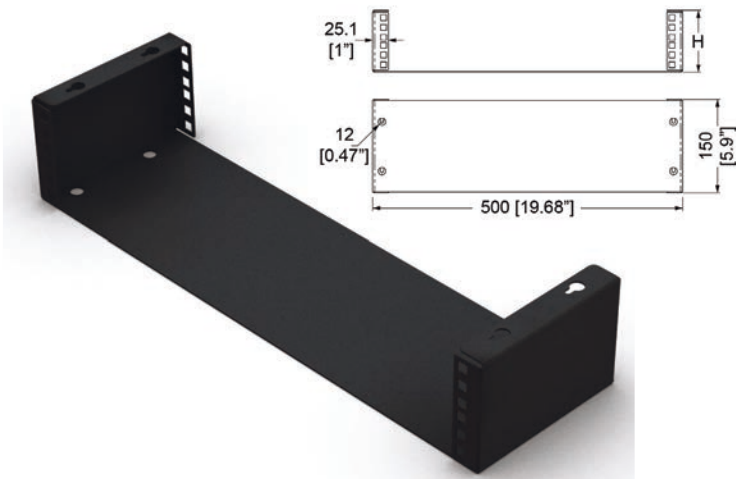
Vented Doors

Part No.	Size (U)
PGRD06C	6U
PGRD08C	8U
PGRD12C-300	12U - For 300 Series Enclosures
PGRD16C-300	16U - For 300 Series Enclosures

Tinted Polycarbonate Doors

Part No.	Size (U)
RD06C	6U
RD08C	8U

R2510



Universal rack mount bracket. To mount 19" racking equipment vertically on multiple wall surfaces or horizontally under many types of furniture such as tables or desks.

Material: Steel



Square Holes Rails

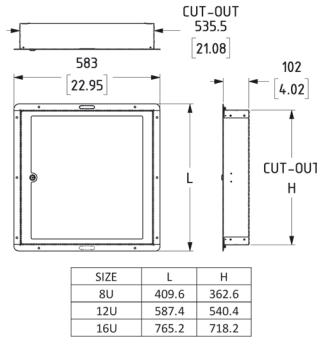
Part No.	Finish	Size (U)	Material	Height	Weight
R2510-1U	Black	1U	1.5mm / 16 gauge Steel	55.8mm / 2.2"	1.14kg/2.51lb
R2510-2U		2U		100mm / 3.94"	1.33kg/2.93lb
R2510-3U		3U		144.8mm / 5.7"	1.54kg/3.4lb
R2510-4U		4U		188.9mm / 7.44"	1.73kg/3.81lb

10/32 Threaded Rails

Part No.	Finish	Size (U)	Material	Height	Weight
R2610-1U	Black	1U	2mm / 14 gauge Steel	55.8mm / 2.2"	1.52kg/3.36lb
R2610-2U		2U		100mm / 3.94"	1.78kg/3.92lb
R2610-3U		3U		144.8mm / 5.7"	2.05kg/4.51lb
R2610-4U		4U		188.9mm / 7.44"	2.31kg/5.09lb

Wall Mount Racks

RWB - In-Wall Rack Cabinets



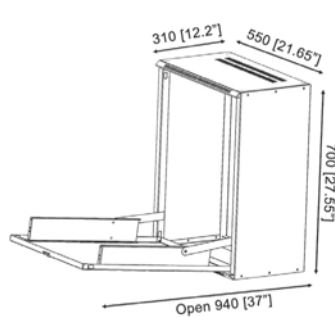
In wall rack cabinet for cavity walls.
 Available with M6 or 10/32 threaded rack rail.
 Lockable polycarbonate door
 Material: Steel & Polycarbonate

M6 Rack Rails

Part No.	Finish	Description	Weight
RWB-M6-08UK RWB-M6-08UCM	Black Cream	8U In Wall Rack Cabinet	4kg/8.82lb
RWB-M6-12UK RWB-M6-12UCM	Black Cream	12U In Wall Rack Cabinet	5.5kg/12.13lb
RWB-M6-16UK RWB-M6-16UCM	Black Cream	16U In Wall Rack Cabinet	7kg/15.43lb

10/32 Rack Rails

Part No.	Finish	Description	Weight
RWB-1032-08UK RWB-1032-08UCM	Black Cream	8U In Wall Rack Cabinet	4kg/8.82lb
RWB-1032-12UK RWB-1032-12UCM	Black Cream	12U In Wall Rack Cabinet	5.5kg/12.13lb
RWB-1032-16UK RWB-1032-16UCM	Black Cream	16U In Wall Rack Cabinet	7kg/15.43lb



VDWR Vertical Wall Rack

Vertical drop down comms/AV wall mount rack system. Secure and compact system for deploying rack mounted equipment.

- Ships in a convenient flat pack kit
- Ventilated top, base, front, and side sections.
- The top and base are interchangeable with a 1u space for a blank, vented, or cable access panel.
- 2u door mounting fixtures are provided, with an option to add another 2u bracket (vdwr04) or a 2u mixer mount (vdwrmx) on top.
- Maximum equipment depth is 500mm / 19.69" with a combined maximum weight of 20kg/44.09lb.

Enclosure

Part No.	Finish	Description
VDWR02	Black	Drop Down Wall Mount Rack

Add-on Brackets

Part No.	Finish	Description
VDWR04	Black	2U Add-on Mounting Bracket
VDWRMX	Black	2U Add-on Mixer Mounting Bracket

Flat Pack Paquete Plano Selbstmontage Rack en kit

Собираем сам 平面包装机柜 تجميع الذاتي Lapraszerelt



Credenza Wood Rack Sleeves - Beech & Knotty Oak

250mm / 9.84" Deep Wood laminate rack sleeves. Made from high quality 18mm / 11/16" laminate boards. Perfect for use in studios, offices, boardrooms, churches, etc. The mounting rails can be stepped inwards up to 60mm / 2.36" for more space behind the door, additional **R0863** (p.41) rails can be fitted at the back. Set of 4 non-marking feet included. Optional smoked plexiglass **Credenza Barn Doors** (p.32) and **Credenza Full Width Doors** (p.32) available for the 4U units only. Wall Mount Kit **WMKCZ** (p.31) available.

Beech

Part No.	Finish	Description	Size (U)	Depth
R8600-250-1U	Beech	Credenza Wood Rack	1U	250mm /
R8600-250-2U		Sleeve	2U	9.84"
R8600-250-3U			3U	
R8600-250-4U			4U	

Knotty Oak

Part No.	Finish	Description	Size (U)	Depth
R8600-250-1U-K	Knotty Oak	Credenza Wood Rack	1U	250mm /
R8600-250-2U-K		Sleeve	2U	9.84"
R8600-250-3U-K			3U	
R8600-250-4U-K			4U	

Flat Pack Paquete Plano Selbstmontage Rack en kit

Собираем сам 平面包装机柜 تجميع الذاتي Lapraszerelt



Credenza Wood Rack Kits - Beech & Knotty Oak

Flat pack 450mm / 17.72" Deep Wood laminate rack kits. Made from high quality 18mm laminate boards. Perfect for use in studios, offices, boardrooms, churches, etc. The mounting rails can be stepped inwards up to 60mm for more space behind the door, additional **R0863** (p.41) rails can be fitted at the back. Set of 4 non-marking feet included. Optional smoked plexiglass **Credenza Barn Doors** (p.32) and **Credenza Full Width Doors** (p.32) available. Wall Mount Kit **WMKCZ** (p.31) available.

Beech

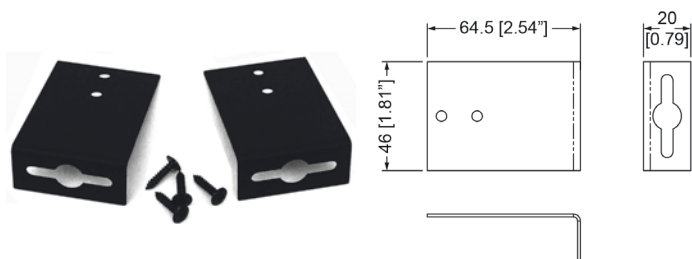
Part No.	Finish	Description	Size (U)	Depth
R8600-450-4U	Beech	Credenza Rack	4U	450mm / 17.72"
R8600-450-6U			6U	
R8600-450-8U			8U	
R8600-450-12U			12U	
R8600-450-16U			16U	

Knotty Oak

Part No.	Finish	Description	Size (U)	Depth
R8600-450-4U-K	Knotty Oak	Credenza Rack	4U	450mm / 17.72"
R8600-450-6U-K			6U	
R8600-450-8U-K			8U	
R8600-450-12U-K			12U	
R8600-450-16U-K			16U	
R8600-450-18U-K			18U	

WMKCZ - Wall Mount Kit

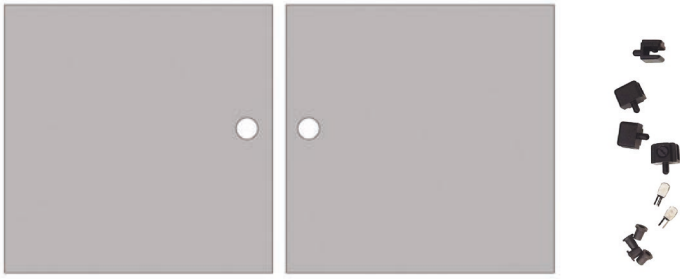
Wall Mount Kit for Credenza Racks & Sleeves. For Credenza Wood Racks Kits 8U high or more, use two kits (2 brackets on each side). For use with Beech and Knotty Oak finish racks. Not compatible with Nebraska Oak and Tiepolo Walnut finishes.



Material: Steel

Part No.	Description
WMKCZ	Wall Mount Kit for Credenza Racks & Sleeves

Credenza Barn Doors



Part No.	Size (U)	Description
R8600-CZD4S	4U	Smoked Plexiglass Barn Doors
R8600-CZD6S	6U	Smoked Plexiglass Barn Doors
R8600-CZD8S	8U	Smoked Plexiglass Barn Doors
R8600-CZD12S	12U	Smoked Plexiglass Barn Doors
R8600-CZD16S	16U	Smoked Plexiglass Barn Doors

Smoked Plexiglass Barn Doors for Credenza Wood Racks
 For use with Beech and Knotty Oak finish racks. Not compatible with Nebraska Oak and Tiepolo Walnut finishes.

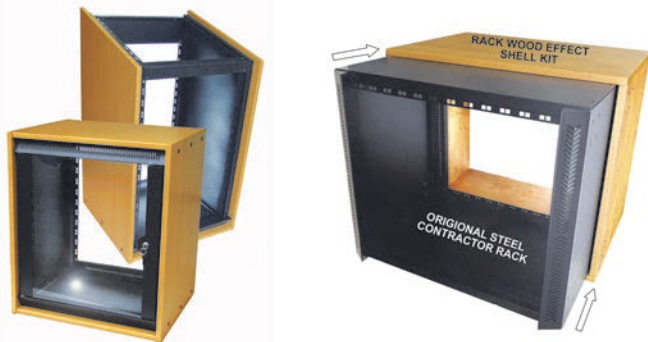
Wood Racks

Credenza Full Width Doors



Part No.	Size (U)	Description
R8600-CZD4-FW	4U	Smoked PlexiGlass Full Width Doors
R8600-CZD6-FW	6U	Smoked PlexiGlass Full Width Doors
R8600-CZD8-FW	8U	Smoked PlexiGlass Full Width Doors
R8600-CZD12-FW	12U	Smoked PlexiGlass Full Width Doors
R8600-CZD16-FW	16U	Smoked PlexiGlass Full Width Doors
R8600-CZD18-FW	18U	Smoked PlexiGlass Full Width Doors

Smoked PlexiGlass Full Width Doors with key lock for Credenza Wood Racks.
 For use with Beech and Knotty Oak finish racks. Not compatible with Nebraska Oak and Tiepolo Walnut finishes.



Wood Effect Shell Kits

Wood Effect Laminate Shell Kits for Contractor Racks.
 Made from high quality 18mm / 11/16" laminated boards.
 Includes Wood Effect Panels and Fixing Screws for fitting to Contractor Racks.

Wood Shell for Contractor Racks

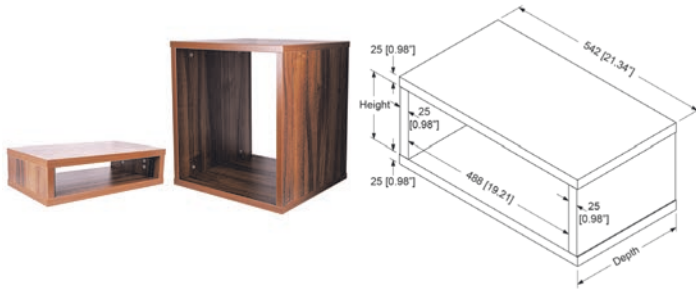
Part No.	Size (U)
WR06	6U
WR08	8U
WR12	12U
WR16	16U
WR20	20U
WR24	24U (Special Order)
WR28	28U (Special Order)

Wood Shell for Console Racks

Part No.	Size (U)
WCR04-600	4U Front / 12U Sloping top
WCR12-600	12U Front / 12U Sloping top
WCR16-600	16U Front / 12U Sloping top

Flat Pack Paquete Plano Selbstmontage Rack en kit Сборка сам 平面包装机柜 تجميع الذاتي Lapraszerelt

Tiepolo Walnut Credenza Wood Racks **NEW!**



Scan to Watch



Our Video

Or Visit:

youtu.be/L2hQ6xDun6U

Flat pack Tiepolo Walnut Wood laminate rack kits. Made from high quality 25mm / 1" laminate boards. Two depth available: 300mm / 11.81" or 500mm / 19.69" deep. Perfect for use in studios, offices, boardrooms, churches, etc. Additional **R0863** (p.41) rails can be fitted at the back. Set of 4 non-marking feet included.



Wood Racks

300mm / 11.81" Deep

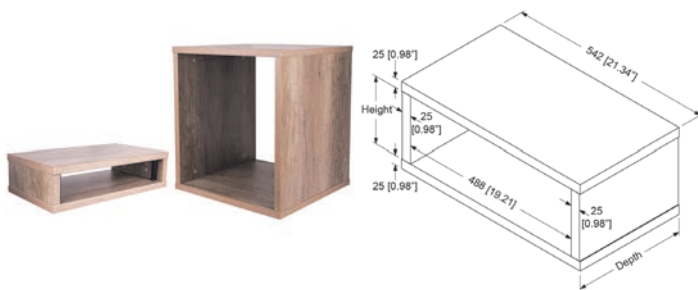
Part No.	Finish	Description	Size (U)	Depth	Height	Weight
R8600-300-2UTW	Tiepolo Walnut	Credenza Wood Rack	2U	300mm / 11.81"	88.9mm / 3.5"	6.83kg/15.06lb
R8600-300-3UTW	Tiepolo Walnut	Credenza Wood Rack	3U	300mm / 11.81"	133.35mm / 5.25"	7.21kg/15.9lb
R8600-300-4UTW	Tiepolo Walnut	Credenza Wood Rack	4U	300mm / 11.81"	177.8mm / 7"	7.79kg/17.17lb

500mm / 19.69" Deep

Part No.	Finish	Description	Size (U)	Depth	Height	Weight
R8600-500-4UTW	Tiepolo Walnut	Credenza Wood Rack	4U	500mm / 19.69"	177.8mm / 7"	12.91kg/28.46lb
R8600-500-6UTW	Tiepolo Walnut	Credenza Wood Rack	6U	500mm / 19.69"	266.7mm / 10.5"	14.94kg/32.94lb
R8600-500-8UTW	Tiepolo Walnut	Credenza Wood Rack	8U	500mm / 19.69"	355.6mm / 14"	16.2kg/35.71lb
R8600-500-12UTW	Tiepolo Walnut	Credenza Wood Rack	12U	500mm / 19.69"	533.4mm / 21"	19.09kg/42.09lb

Nebraska Oak Credenza Wood Racks **NEW!**

Flat pack Nebraska Oak Wood laminate rack kits. Made from high quality 25mm / 1" laminate boards. Two depth available: 300mm / 11.81" or 500mm / 19.69" deep. Perfect for use in studios, offices, boardrooms, churches, etc. Additional **R0863** (p.41) rails can be fitted at the back. Set of 4 non-marking feet included.



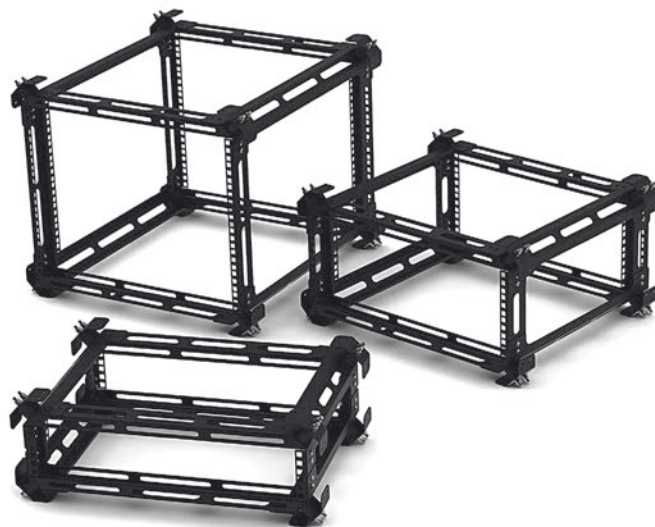
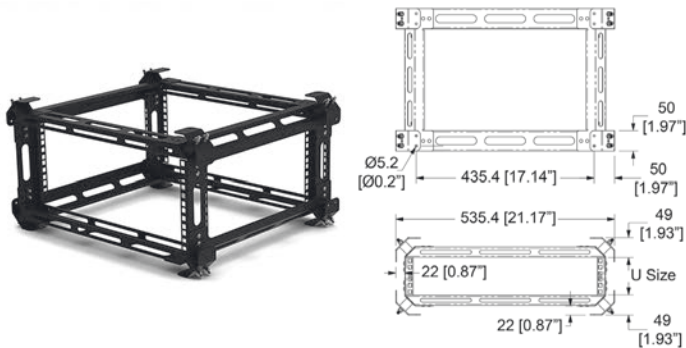
300mm / 11.81" Deep

Part No.	Finish	Description	Size (U)	Depth	Height	Weight
R8600-300-2UNO	Nebraska Oak	Credenza Wood Racks	2U	300mm / 11.81"	88.9mm / 3.5"	6.66kg/14.68lb
R8600-300-3UNO	Nebraska Oak	Credenza Wood Racks	3U	300mm / 11.81"	133.35mm / 5.25"	7.22kg/15.92lb
R8600-300-4UNO	Nebraska Oak	Credenza Wood Racks	4U	300mm / 11.81"	177.8mm / 7"	7.72kg/17.02lb

500mm / 19.69" Deep

Part No.	Finish	Description	Size (U)	Depth	Height	Weight
R8600-500-4UNO	Nebraska Oak	Credenza Wood Racks	4U	500mm / 19.69"	177.8mm / 7"	12.8kg/28.22lb
R8600-500-6UNO	Nebraska Oak	Credenza Wood Racks	6U	500mm / 19.69"	266.7mm / 10.5"	14.2kg/31.31lb
R8600-500-8UNO	Nebraska Oak	Credenza Wood Racks	8U	500mm / 19.69"	355.6mm / 14"	15.79kg/34.81lb
R8600-500-12UNO	Nebraska Oak	Credenza Wood Racks	12U	500mm / 19.69"	533.4mm / 21"	18.8kg/41.45lb

R8700 - Lightweight Shock Mount Rack System



A **lightweight** and quick to assemble Shock Mount Rack System designed to reduce impact shock and vibration to rack mounted equipment.

R8700 Shock Mount Rack System consists of:

- **2 Frames** for the top and bottom part (P.N.: R87xx-FRAME). Four depths available: 350mm, 450mm, 510mm or 550mm
- **4 Rack Rails** (P.N.: R8700-RAIL-xU). 4 heights available: 2U, 4U, 6U or 8U
- **8 Mounting Brackets** (P.N.: R8700-MB)
- **1 Screw Pack**

Shock Mounts (p.36) (P.N.: R8860/XX or R8760/XX) sold separately (come in sets of 8)

See list below for weight capacity and fittings (metric or UNC)

1 or 2 Shock Mounts can be fitted to each corner, depending on the level of shock absorption required

Material: Steel

Finish: Black

350mm / 14" Deep

Part No.	Description	Depth	Weight
R8735-2U	2U Shock Mount Rack System	350mm / 13.78"	4.01kg/8.83lb
R8735-4U	4U Shock Mount Rack System	350mm / 13.78"	4.04kg/8.92lb
R8735-6U	6U Shock Mount Rack System	350mm / 13.78"	4.08kg/9lb
R8735-8U	8U Shock Mount Rack System	350mm / 13.78"	4.12kg/9.08lb

450mm / 18" Deep

Part No.	Description	Depth	Weight
R8745-2U	2U Shock Mount Rack System	450mm / 17.72"	4.32kg/9.51lb
R8745-4U	4U Shock Mount Rack System	450mm / 17.72"	4.35kg/9.59lb
R8745-6U	6U Shock Mount Rack System	450mm / 17.72"	4.39kg/9.68lb
R8745-8U	8U Shock Mount Rack System	450mm / 17.72"	4.43kg/9.76lb

510mm / 20" Deep

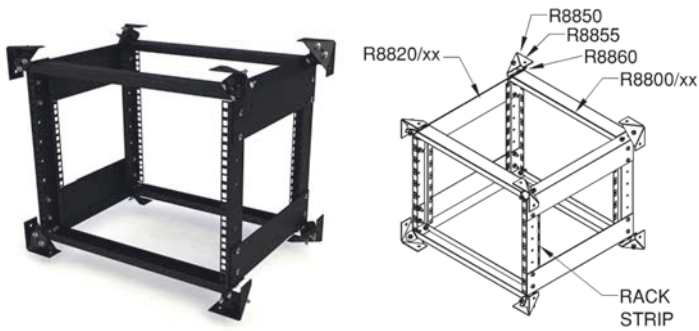
Part No.	Description	Depth	Weight
R8751-2U	2U Shock Mount Rack System	510mm / 20.08"	4.5kg/9.92lb
R8751-4U	4U Shock Mount Rack System	510mm / 20.08"	4.54kg/10lb
R8751-6U	6U Shock Mount Rack System	510mm / 20.08"	4.58kg/10.09lb
R8751-8U	8U Shock Mount Rack System	510mm / 20.08"	4.61kg/10.16lb

550mm / 22" Deep

Part No.	Description	Depth	Weight
R8755-2U	2U Shock Mount Rack System	550mm / 21.65"	4.62kg/10.19lb
R8755-4U	4U Shock Mount Rack System	550mm / 21.65"	4.66kg/10.27lb
R8755-6U	6U Shock Mount Rack System	550mm / 21.65"	4.7kg/10.36lb
R8755-8U	8U Shock Mount Rack System	550mm / 21.65"	4.73kg/10.43lb
R8755-15U	15U Shock Mount Rack System	550mm / 21.65"	4.86kg/10.72lb

Flat Pack Paquete Plano Selbstmontage Rack en kit Собери сам 平面包装机柜 تجميع الذاتي Lapraszerelt

R8800 - Anti-Vibration Rack System



Anti-Vibration Rack Mounting System.

Improved assembly with new rack bar and slimmer frame.

Black Powder Coated.


Shock Mounts (p.36) (P.N.: R8860/XX or R8760/XX) sold separately (come in sets of 8)

See **R8820** (p.36) for full range of Side Bars.

See **R8840** (p.60) for full range of Shelf Supports.

Material: Steel





Crossbars

Part No.	Description	Weight
R8800/20 R8800/80	 19" Crossbar for R0828 Rack Strip 19" Crossbar for R0883 Rack Strip	0.4kg/0.88lb 0.57kg/1.27lb
R8800-70	19" Crossbar for use with R50335 and R50338 door hinge on drawer slide and R0883 Rack Strips NEW!	0.55kg/1.21lb

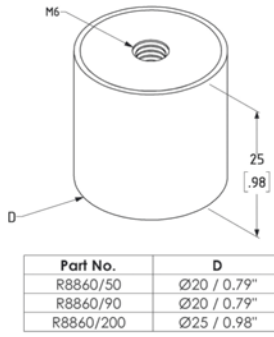
Sidebars

Part No.	Description	Weight
R8820/xx	See Separate List R8820 (p.36)	0.57kg/1.27lb

Mounting Accessories

Part No.	Description	Weight
R8850	 Corner Support Bracket	
R8851	 Mounting Bracket for 1 or 2 Shock Mounts - 3mm/ 0.12" Steel	57g/2.01oz
R8856	 Corner Support Bracket for 1 or 2 Shock Mounts - 2mm/ 0.08" Steel	84g/2.96oz
R8890 R8892	 Metric Screw Set Imperial (UNC) Screw Set	0.25kg/0.54lb

Shock Mounts



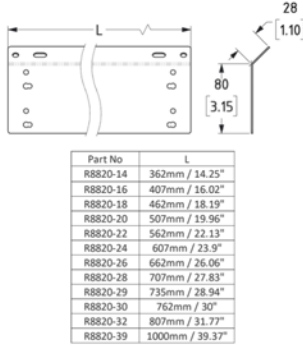
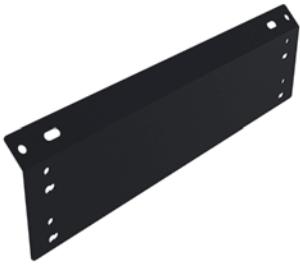
Set of 8 Shock Mounts
Available with metric or UNC fixings.

Metric Fixings

Part No.	Fixings	Load Rating	Weight
R8860/50	Metric Fixings	50kg/110.23lb	0.24kg/0.52lb
R8860/90	Metric Fixings	90kg/198.42lb	0.24kg/0.53lb
R8860/200	Metric Fixings	200kg/440.92lb	0.3kg/0.66lb

UNC Fixings

Part No.	Fixings	Load Rating	Weight
R8870/100	UNC Fixings	100lb / 45kg	0.3kg/0.66lb
R8870/200	UNC Fixings	200lb / 90kg	0.3kg/0.66lb



R8820 - Sidebar

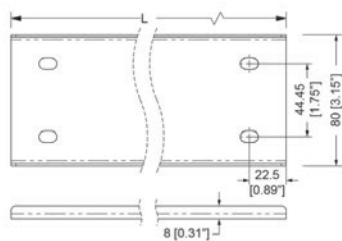
Sidebar for R8800 Anti-Vibration Rack Mounting System.
Black Powder Coated.

Material: 1.5mm / 16 gauge Steel

Part No.	Size	Weight
R8820/14	362mm / 14.25"	0.46kg/1.02lb
R8820/16	407mm / 16.02"	0.52kg/1.14lb
R8820/18	462mm / 18.19"	0.56kg/1.25lb
R8820/20	507mm / 19.96"	0.64kg/1.41lb
R8820/22	562mm / 22.13"	0.67kg/1.47lb
R8820/24	607mm / 23.9"	0.85kg/1.88lb
R8820/26	662mm / 26.06"	0.84kg/1.86lb
R8820/28	707mm / 27.83"	0.9kg/1.98lb
R8820/30	762mm / 30"	0.97kg/2.14lb
R8820/32	807mm / 31.77"	1.03kg/2.28lb

R8830 - Sidebar Brace

Sidebar Brace for R8800 Anti-Vibration Rack Mounting System.
Helps make tall structures stronger (for systems taller than 14U / 622.3).



Material: 1.5mm / 16 gauge Steel

Part No.	Finish	Length (L)
R8830-14	Black	362mm / 14.25"
R8830-16	Black	407mm / 16.02"
R8830-18	Black	462mm / 18.19"
R8830-20	Black	507mm / 19.96"
R8830-22	Black	562mm / 22.13"
R8830-24	Black	607mm / 23.9"
R8830-26	Black	662mm / 26.06"
R8830-28	Black	707mm / 27.83"
R8830-29	Black	735mm / 28.94"
R8830-30	Black	762mm / 30"
R8830-32	Black	807mm / 31.77"



VULCAN

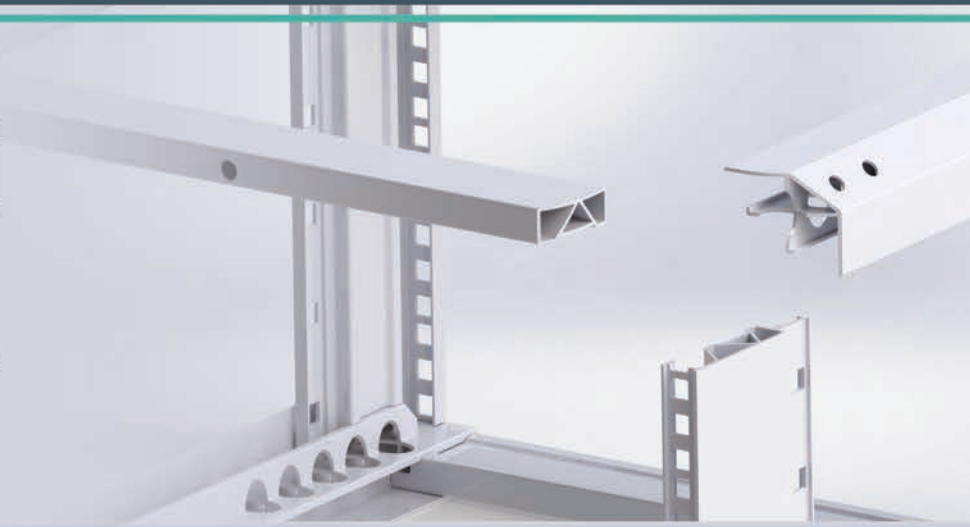
SHOCKMOUNT CHASSIS

New from Penn Elcom, the Vulcan™ Shockmount Chassis gives your case affordable military-grade protection against impact, shock and vibration.

INNOVATIVE CONSTRUCTION

Vulcan's patented design uses hollow triangular sections of high-tensile tempered aluminium alloy.

This gives it an extraordinary strength to weight ratio while retaining stability whatever the chassis size.



VERSATILE DESIGN

You can now safely integrate sensitive and high value devices into rack enclosures without upgrading to a heavy and costly steel chassis.

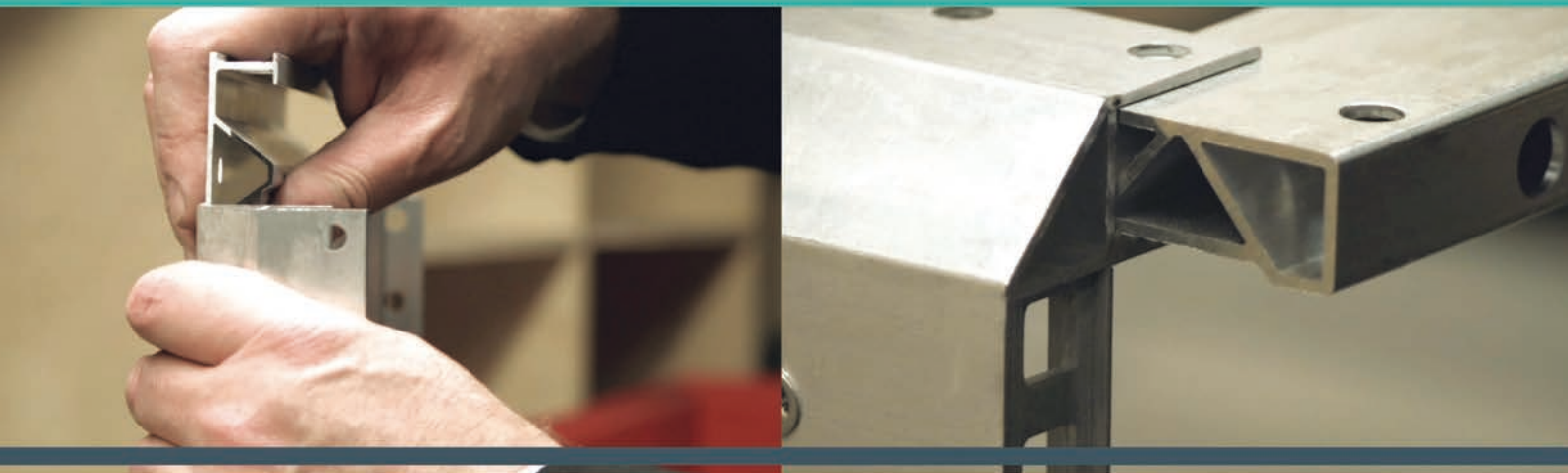
Tested to military standards, a Vulcan™ chassis will keep contents safe from drops, vibrations and impact during transportation or storage.

KEY BENEFITS OF VULCAN™

- ▷ Affordable military-grade shockmount racking
- ▷ Patented triangular design makes lightweight aluminium incredibly strong
- ▷ A perfect slide and lock each time makes building quick and easy
- ▷ Shock absorbers ensure that your devices remain still during rough transport
- ▷ Light - a 6U rack weighs just 3kg / 6.6lbs
- ▷ 2U to 18U kit sizes available with no loss of strength
- ▷ Military accredited tests resulted in outstanding performance
- ▷ Sensitive or high value contents remain safe even if dropped, shaken or struck

ULTRA QUICK ASSEMBLY

The Vulcan™ chassis can be assembled in **just 6 minutes!**



Precisely machined to slide and lock perfectly into place each time, building each kit is simple and fuss-free. Cage nuts allow for easy lining up of fixing screws and the rails are designed to clamp 19-inch panels safely and securely.

ACCREDITED TO MILITARY AND COMMERCIAL STANDARDS:

Vulcan™ conforms to IEC 60297-3 | ANSI accredited to MIL STD 810G



Scan to Watch
Our Video

Or Visit:

youtu.be/-6d5ivBEAKc

VULCAN™ PRODUCT RANGE

PRODUCT CODE	DEPTH	RACK UNITS	HEIGHT
RVCK-0248-FR RVCK-0261-FR RVCK-0274-FR RVCK-0287-FR	480mm/18.9" 610mm/24" 740mm/29.1" 870mm/34.6"	2U	128.9mm / 5.07"
RVCK-0348-FR RVCK-0361-FR RVCK-0374-FR RVCK-0387-FR	480mm/18.9" 610mm/24" 740mm/29.1" 870mm/34.6"	3U	173.4mm / 6.82"
RVCK-0448-FR RVCK-0461-FR RVCK-0474-FR RVCK-0487-FR	480mm/18.9" 610mm/24" 740mm/29.1" 870mm/34.6"	4U	217.8mm / 8.57"
RVCK-0548-FR RVCK-0561-FR RVCK-0574-FR RVCK-0587-FR	480mm/18.9" 610mm/24" 740mm/29.1" 870mm/34.6"	5U	262.3mm / 10.32"
RVCK-0648-FR RVCK-0661-FR RVCK-0674-FR RVCK-0687-FR	480mm/18.9" 610mm/24" 740mm/29.1" 870mm/34.6"	6U	306.7mm / 12.07"
RVCK-0748-FR RVCK-0761-FR RVCK-0774-FR RVCK-0787-FR	480mm/18.9" 610mm/24" 740mm/29.1" 870mm/34.6"	7U	351.2mm / 13.82"
RVCK-0848-FR RVCK-0861-FR RVCK-0874-FR RVCK-0887-FR	480mm/18.9" 610mm/24" 740mm/29.1" 870mm/34.6"	8U	395.6mm / 15.57"
RVCK-0948-FR RVCK-0961-FR RVCK-0974-FR RVCK-0987-FR	480mm/18.9" 610mm/24" 740mm/29.1" 870mm/34.6"	9U	440.1mm / 17.32"
RVCK-1048-FR RVCK-1061-FR RVCK-1074-FR RVCK-1087-FR	480mm/18.9" 610mm/24" 740mm/29.1" 870mm/34.6"	10U	484.5mm / 19.07"
RVCK-1148-FR RVCK-1161-FR RVCK-1174-FR RVCK-1187-FR	480mm/18.9" 610mm/24" 740mm/29.1" 870mm/34.6"	11U	529.0mm / 20.82"
RVCK-1248-FR RVCK-1261-FR RVCK-1274-FR RVCK-1287-FR	480mm/18.9" 610mm/24" 740mm/29.1" 870mm/34.6"	12U	573.4mm / 22.57"
RVCK-1448-FR RVCK-1461-FR RVCK-1474-FR RVCK-1487-FR	480mm/18.9" 610mm/24" 740mm/29.1" 870mm/34.6"	14U	662.3mm / 26.07"
RVCK-1548-FR RVCK-1561-FR RVCK-1574-FR RVCK-1587-FR	480mm/18.9" 610mm/24" 740mm/29.1" 870mm/34.6"	15U	706.8mm / 27.82"
RVCK-1648-FR RVCK-1661-FR RVCK-1674-FR RVCK-1687-FR	480mm/18.9" 610mm/24" 740mm/29.1" 870mm/34.6"	16U	751.2mm / 29.57"
RVCK-1748-FR RVCK-1761-FR RVCK-1774-FR RVCK-1787-FR	480mm/18.9" 610mm/24" 740mm/29.1" 870mm/34.6"	17U	795.7mm / 31.32"
RVCK-1848-FR RVCK-1861-FR RVCK-1874-FR RVCK-1887-FR	480mm/18.9" 610mm/24" 740mm/29.1" 870mm/34.6"	18U	840.1mm / 33.07"

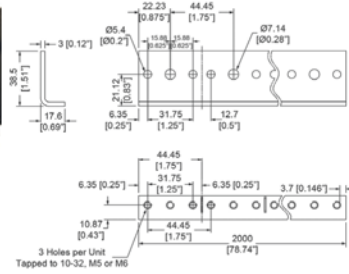
WIDTH: 490mm / 19.3"

R0828 - Rack Rails

Full Hole Rack Rail **Threaded to 10/32 UNF, M5 or M6**

Cuts from 1 space 44.45mm / 1.75" to 45 spaces 2m / 79" are available. Please specify length (number of spaces) when ordering.
 R0828: Use **U5200 - U5205** (p.111) Rack Screws and **U5215** (p.112) Washers.
 R0828/M6: Use **S1045** (p.111) Rack Screws and **S1940** (p.111) - **S1941** (p.111) Washers.
 We recommend using a maximum torque setting of 4Kns when tightening the Rack Fastenings.

Material: 3.0mm / 1/8" Black Powder Coated Steel



Metric Rack Rails

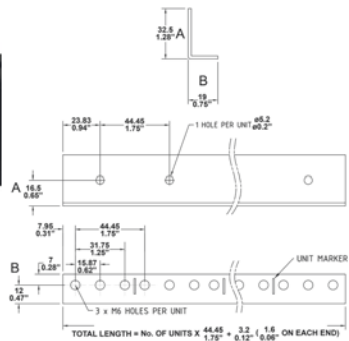


Part No.	Finish	Available Sizes	Threaded
R0828/M5	Black	From 1 Space to 45 Spaces	M5
R0828/M6	Black	From 1 Space to 45 Spaces	M6

10/32 UNF Rack Rails



Part No.	Finish	Available Sizes	Threaded
R0828	Black	From 1 Space to 45 Spaces	10/32 UNF



R0863-M6 - R0863-1032 - Rack Rails

Full Holes Rack Rail with **Threaded Holes**.
 Cuts from 1 space 44.45mm / 1.75" to 45 spaces 2m / 79" are available. Please specify length (number of spaces) when ordering.
 Compatible with **S1045** (p.111) M6 Screws and S1940 - S1941 Cup Washers.

Material: 2.00mm / 14 gauge Black Powder Coated Steel

M6 Rack Rails

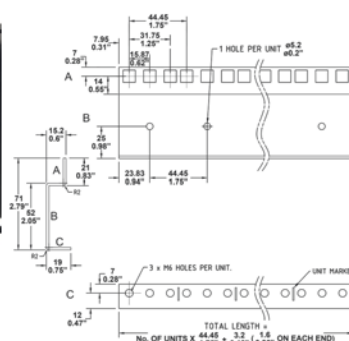


Part No.	Finish	Thickness	Description
R0863-M6	Black	2mm / 0.08"	From 1 Space to 45 Spaces

10/32 Rack Rails



Part No.	Finish	Thickness	Description
R0863-1032	Black	2mm / 0.08"	From 1 Space to 45 Spaces



R0883-M6 - R0883-1032 - Rack Rails

Full Hole Rack Rail with **M6 or 10/32 Threaded Holes**.
 Cuts from 1 space 44.45mm / 1.75" to 45 spaces 2m / 79" are available. Please specify length (number of spaces) when ordering.

Material: 2.0mm / 14 gauge Black Powder Coated Steel

M6 Rack Rails

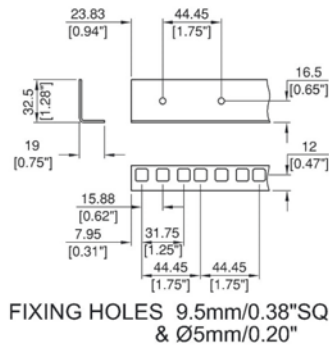


Part No.	Finish	Thickness	Description
R0883-M6	Black	2mm / 0.08"	From 1 Space to 45 Spaces

10/32 Rack Rails



Part No.	Finish	Thickness	Description
R0883-1032	Black	2mm / 0.08"	From 1 Space to 45 Spaces



R0863 - Rack Rails

Full Hole Rack Rail with **Square Holes**.

Cuts from 1 space 44.45mm / 1.75" to 45 spaces 2m / 79" are available.

Please specify length (number of spaces) when ordering.

Mounting Equipment on Rails:

-Use our new and innovative **Clip Nuts** (p.110) on Rack Rails for an easy and economic alternative.

-Also compatible with **S1170** (p.112) / **S1172** (p.112) Captive Nuts, **S1045** (p.111) M6 Screws and **S1940** (p.111) and **S1941** (p.111) Cup Washers.

-For Universal Rack Cage Nut Tool see part **SX1100** (p.112)

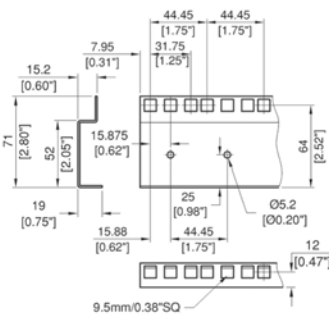
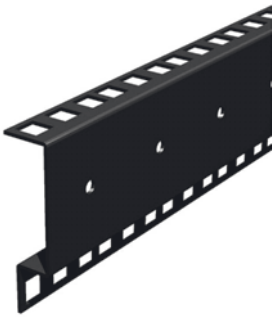
Material: 2.00mm / 14 gauge Black Powder Coated Steel

Rack Rails

Part No.	Finish	Thickness	Available Sizes	Weight
R0863	Black	1.5mm / 1/16"	From 1 Space to 45 Spaces	0.9kg/1.97lb
R0863/2MM	Black	2.0mm / 0.08"	From 1 Space to 45 Spaces	1.4kg/3.08lb

Accessories

Part No.	Finish	Thickness
R0889K-25	Black	Set of 25 M6 Screws, Cage Nuts and Washers
R0889Z-25	Zinc	Set of 25 M6 Screws, Cage Nuts and Washers



R0883 - Rack Rails

Full Hole Double Rack Rail with **Square Holes**.

Cuts from 1 space 44.45mm / 1.75" to 45 spaces 2m / 79" are available.

Please specify length (number of spaces) when ordering.

Mounting Equipment on Rails:

-Use our new and innovative **Clip Nuts** (p.110) on Rack Rails for an easy and economic alternative.

-Also compatible with **S1170** (p.112) / **S1172** (p.112) Captive Nuts, **S1045** (p.111) M6 Screws and **S1940** (p.111) - **S1941** (p.111) Cup Washers.

-For Universal Rack Cage Nut Tool see part **SX1100** (p.112)

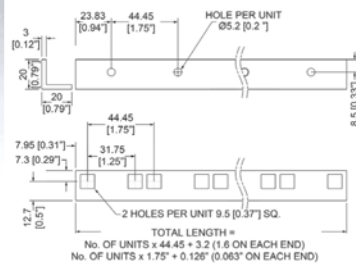
Material: Black Powder Coated Steel

Rack Rails

Part No.	Finish	Thickness	Available Sizes	Weight
R0883	Black	1.5mm / 1/16"	From 1 Space to 45 Spaces	1.9kg/4.19lb
R0883/2MM	Black	2.0mm / 0.08"	From 1 Space to 45 Spaces	2.57kg/5.66lb

Accessories

Part No.	Finish	Thickness
R0889K-25	Black	Set of 25 M6 Screws, Cage Nuts and Washers
R0889Z-25	Zinc	Set of 25 M6 Screws, Cage Nuts and Washers



R0900

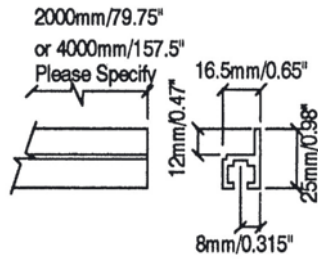
Aluminium Rack Strip. **Pre-Punched** Fixing Holes. Mill Finish.

Cuts from 3 spaces to 90 spaces are available.

Compatible with **S1025** (p.112) Captive Nut and M6 Screws

Material: 3.0mm / 1/8" Aluminium

Part No.	Description	Weight
R0900	45 Spaces (2m / 79")	0.55kg/1.21lb
R0900/4000	90 Spaces (4m / 157")	1.09kg/2.41lb



R0830

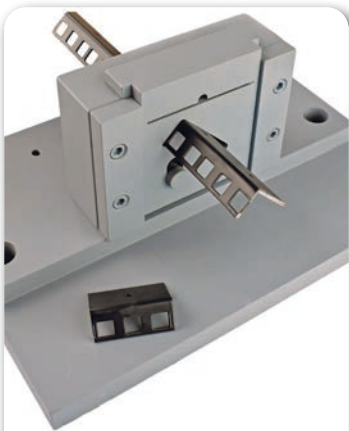
Single Sliding Rack Strip Compatible with S1140 M6 Slide Nuts, **S1045** (p.111) M6 Screws and **S1940** (p.111) - **S1941** (p.111) Cup Washers.

Material: Extruded Aluminium

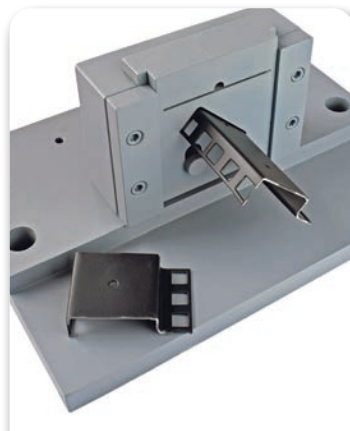
Part No.	Width	Length	Weight
R0830	25mm / 1"	4m / 157"	0.4kg/0.87lb
R0830/2000	25mm / 1"	2m / 79"	0.2kg/0.43lb
R0830/10	34.75mm / 1.37"	4m / 157"	0.46kg/1.02lb

10T Cropping and Punching Machine for Rack Rails, Single and Double Extrusions and Piano Hinges.

Rack Strips & Rails



Crop Single Rack Rails
Up to 2mm / 0.08"



Crop Double Rack Rails
Up to 2mm / 0.08"



Crop 1/8" (3mm) Single
USA Rack Rails



Ask your sales representative for more details

Power	10THBP1PH	Single-Phase
	10THBP3PH	3-Phase
Force		10T
Stroke		150mm
Max die height		250mm
Table size		400*300mm
Total weight		600Kg

Watch out video to find out more.
Scan this code or visit:
youtu.be/ljuMQVpylRy



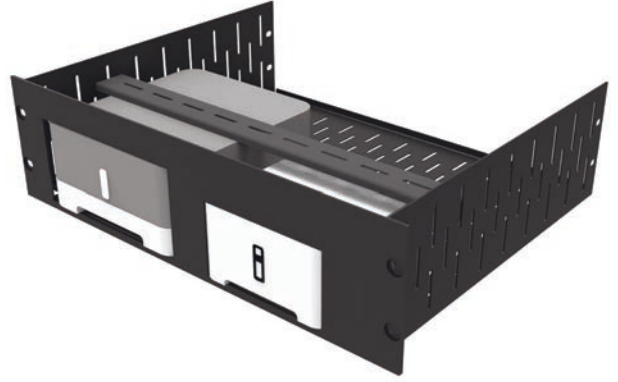
CE Certified

Rack Shelves With Custom Magnetic Face Plate

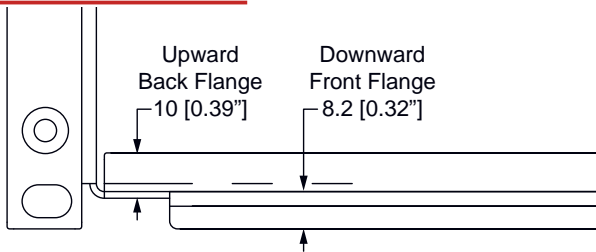
Comes with:

- 1 x Rack Mountable Vented Shelf
- 1 x Magnetic Face Plate with CNC Cut
- 1 x Clamp Bar to Help Secure Equipments

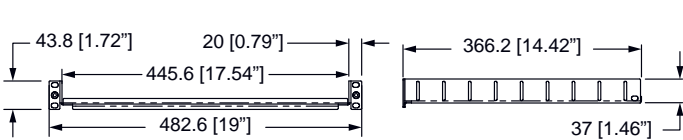
Custom front panels available for any piece of equipment on the market: AV equipment, Games Consoles etc.



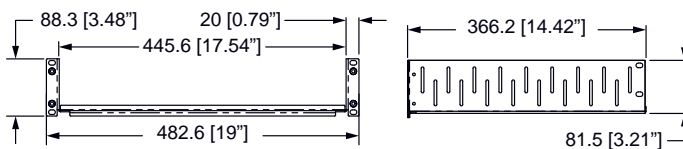
R1498 Flanges



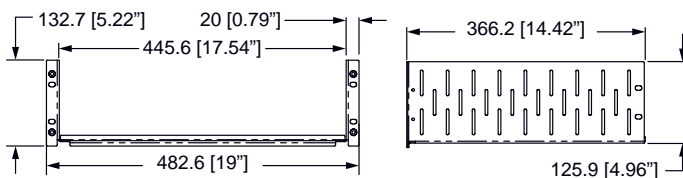
R1498/1UK-Shelf



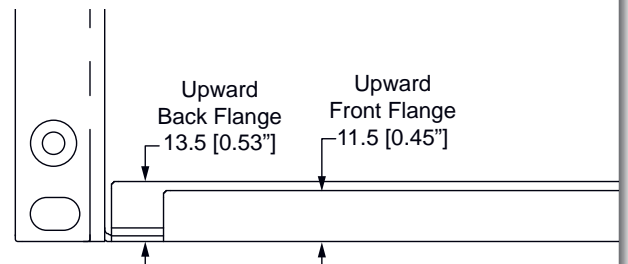
R1498/2UK-Shelf



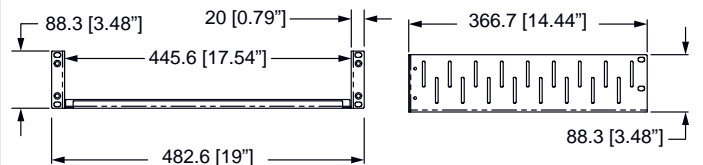
R1498/3UK-Shelf



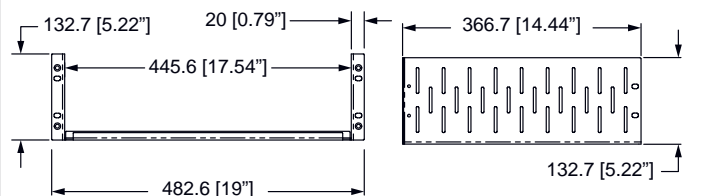
R1497 Flanges



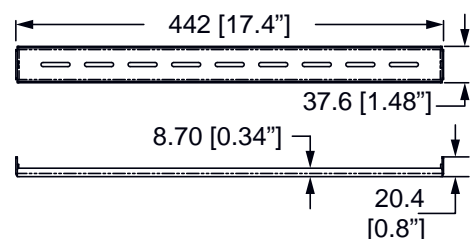
R1497/2UK-Shelf



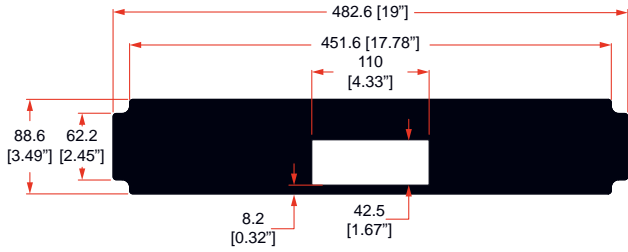
R1497/3UK-Shelf



R1288-CBK Clamp Bar

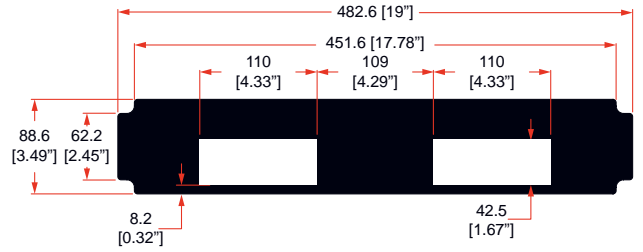


R1498/2UK-SB1



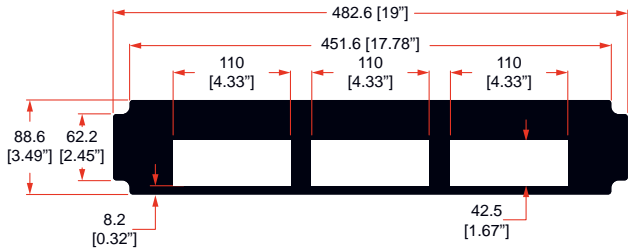
2U SHELF FOR 1 X SONOS BRIDGE

R1498/2UK-SB2



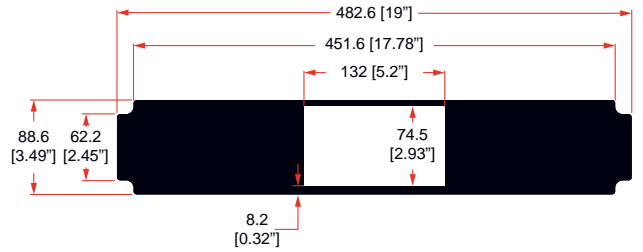
2U SHELF FOR 2 X SONOS BRIDGE

R1498/2UK-SB3



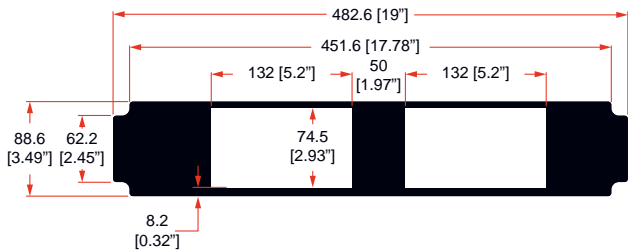
2U SHELF FOR 3 X SONOS BRIDGE

R1498/2UK-SONOS1



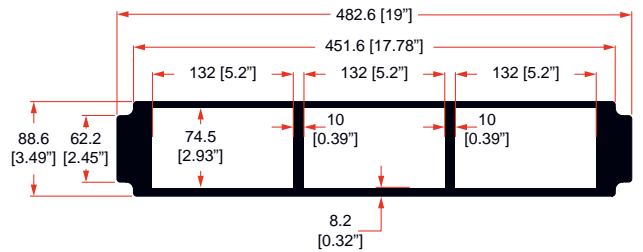
2U SHELF FOR 1 X SONOS CONNECT

R1498/2UK-SONOS2



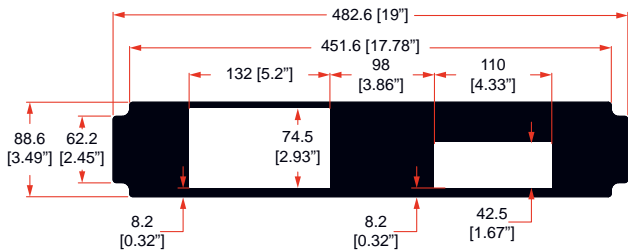
2U SHELF FOR 2 X SONOS CONNECT

R1498/2UK-SONOS3

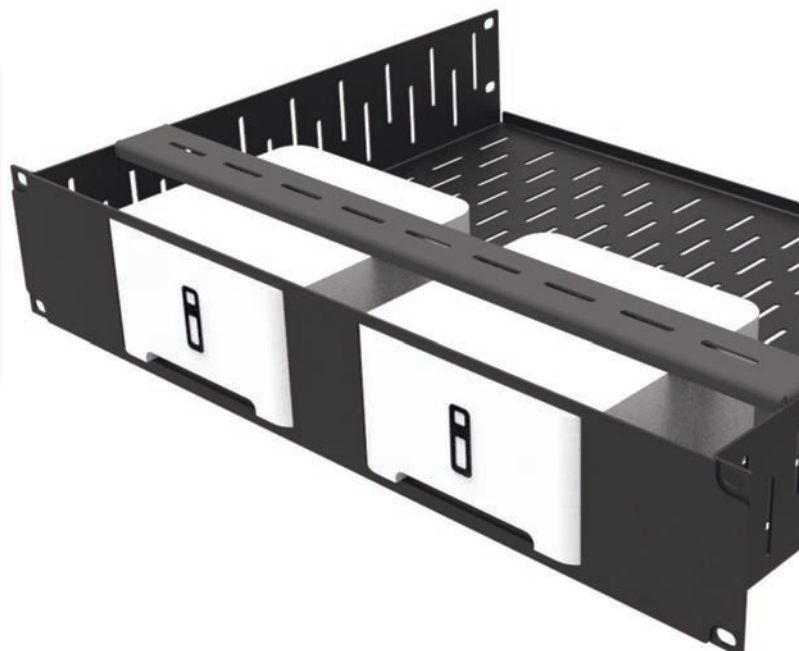


2U SHELF FOR 3 X SONOS CONNECT

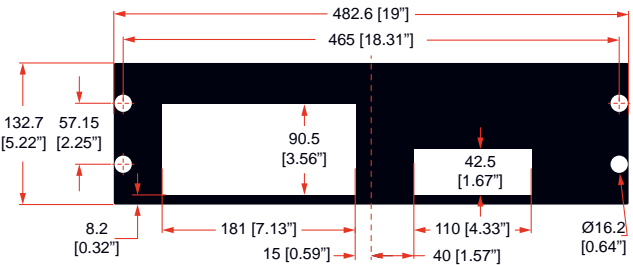
R1498/2UK-S90B1



2U SHELF FOR 1 X SONOS BRIDGE & 1 X SONOS CONNECT

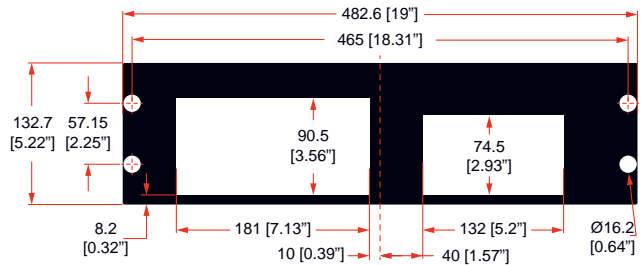


R1498/3UK-S120B1



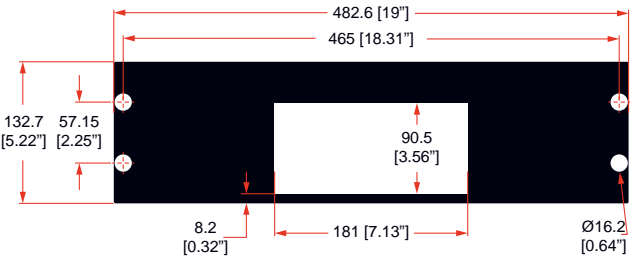
3U SHELF FOR 1 X SONOS CONNECT:AMP & 1 x SONOS BRIDGE

R1498/3UK-S12090



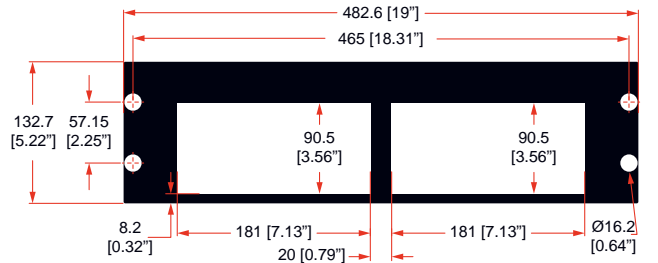
3U SHELF FOR 1 X SONOS CONNECT:AMP & 1 x SONOS CONNECT

R1498/3UK-SONOSZP120S



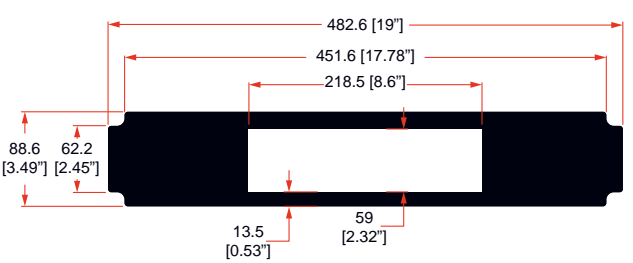
1 x SONOS CONNECT:AMP

R1498/3UK-SONOSZP120



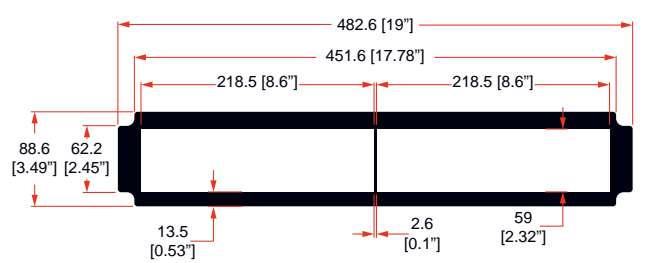
3U SHELF FOR 2 x SONOS CONNECT:AMP

R1498/2UK-SONAMP1



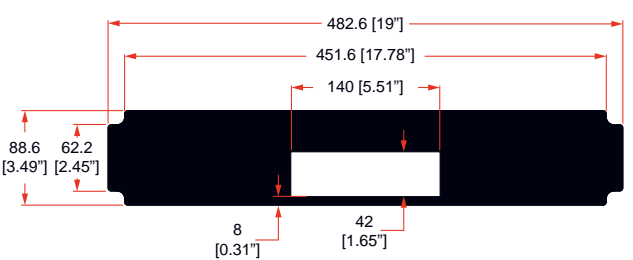
2U SHELF FOR 1 X SONOS AMP

R1498/2UK-SONAMP2



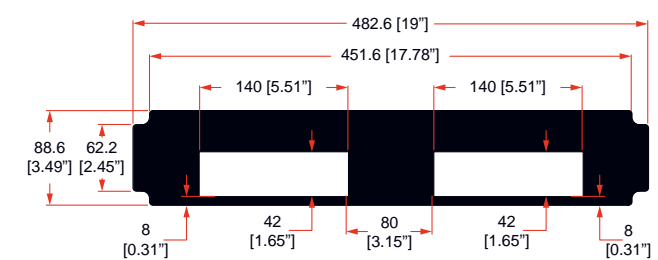
2U SHELF FOR 2 X SONOS AMP

R1498/2UK-SPORT1



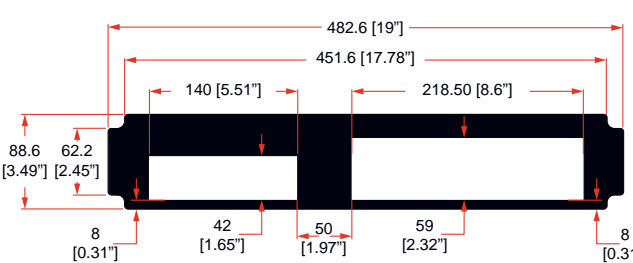
2U SHELF FOR 1 X SONOS PORT

R1498/2UK-SPORT2



2U SHELF FOR 2 X SONOS PORT

R1498/2UK-SONPT

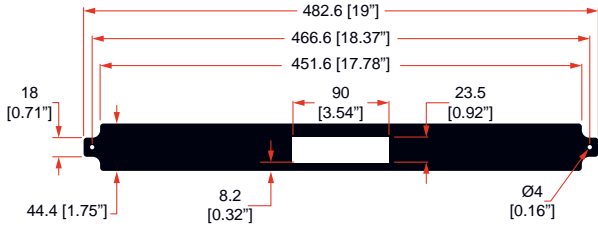


2U SHELF FOR 1 X SONOS PORT & 1 X SONOS AMP



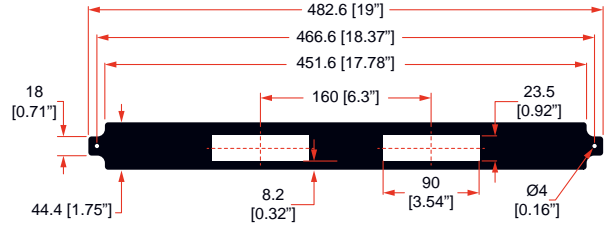
Streaming TV Boxes

R1498/1UK-ATV1



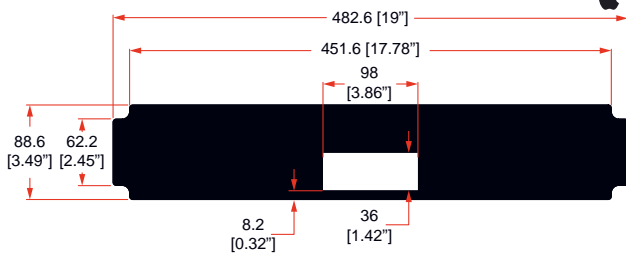
1U SHELF FOR 1 X APPLE TV Gen 3

R1498/1UK-ATV2



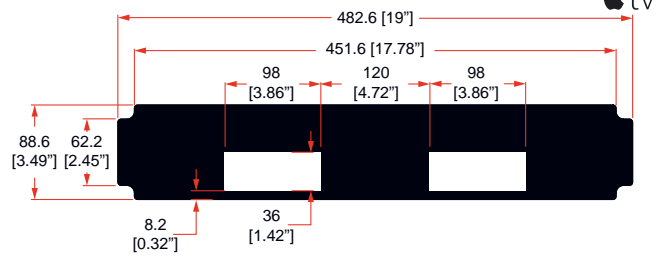
1U SHELF FOR 2 X APPLE TV Gen 3

R1498/2UK-ATV1



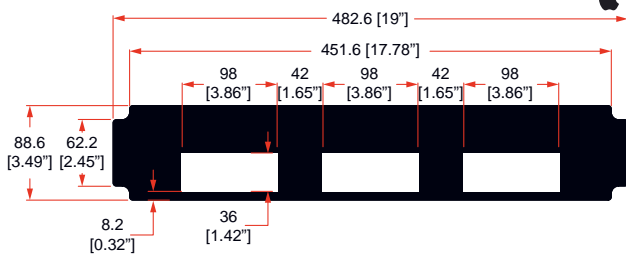
2U SHELF FOR 1 X APPLE TV Gen 4

R1498/2UK-ATV2

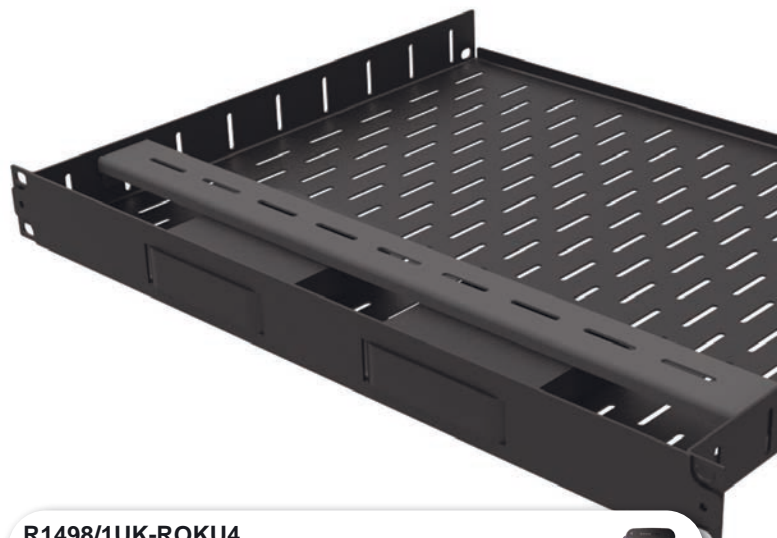


2U SHELF FOR 2 X APPLE TV Gen 4

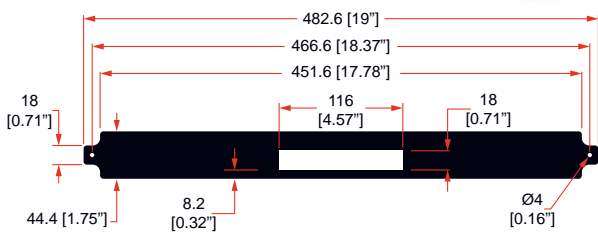
R1498/2UK-ATV3



2U SHELF FOR 3 X APPLE TV Gen 4

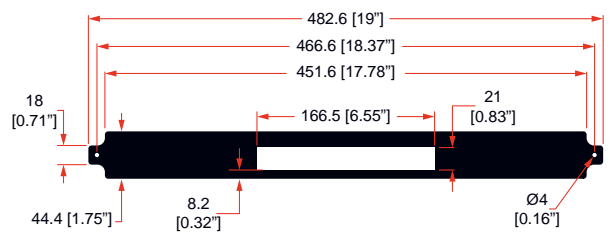


R1498/1UK-AMAZON



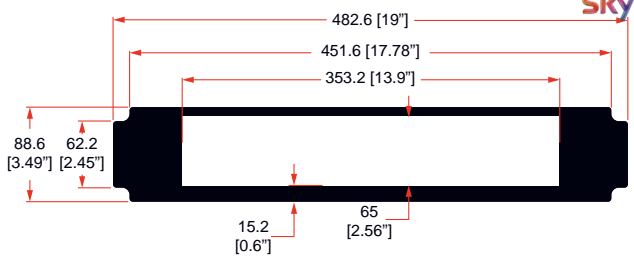
2U SHELF FOR 1 X AMAZON FIRE

R1498/1UK-ROKU4



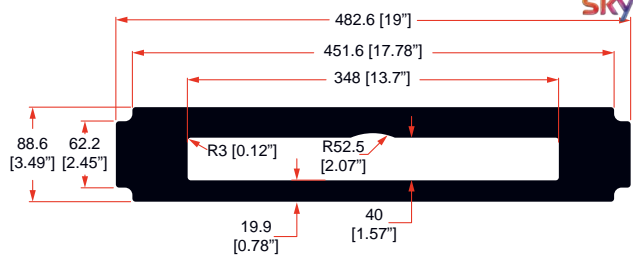
1U SHELF FOR 1 X ROKU 4

R1497/2UK-SKY-DRX895



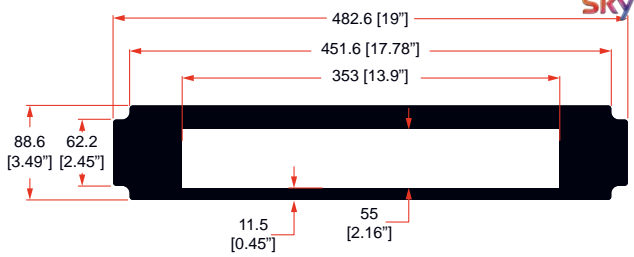
2U SHELF FOR 1 X SKY+ HD BOX Model DRX895

R1497/2UK-SKYHD



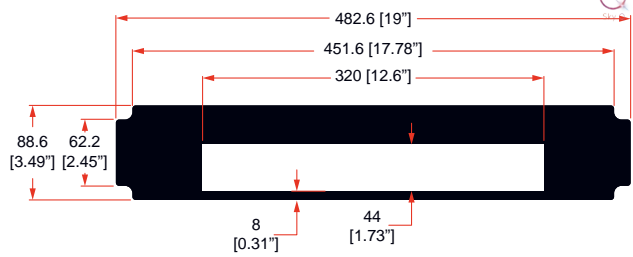
2U SHELF FOR 1 X SKY+ HD BOX Model DRX890

R1497/2UK-2TB



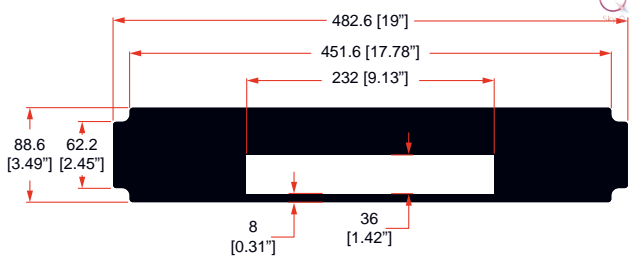
2U SHELF FOR 1 X Sky+ HD 2TB BOX

R1498/2UK-SKYQ



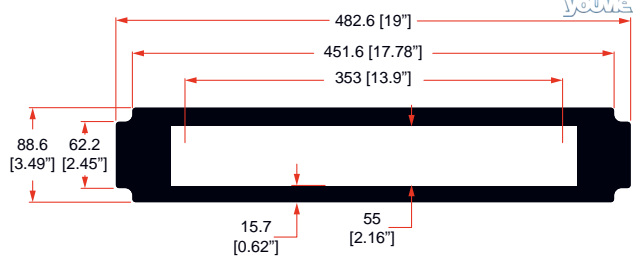
2U SHELF FOR 1 X SKY Q BOX

R1498-2UK-SKYQMINI



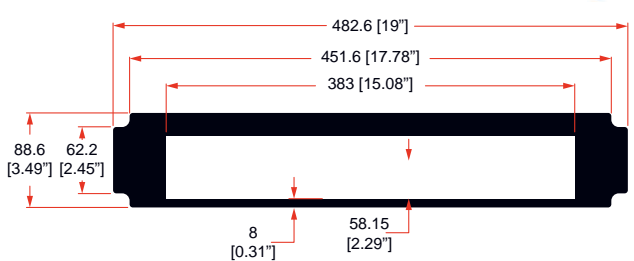
2U SHELF FOR 1 X SKY Q MINI BOX

R1498/2UK-YVT100



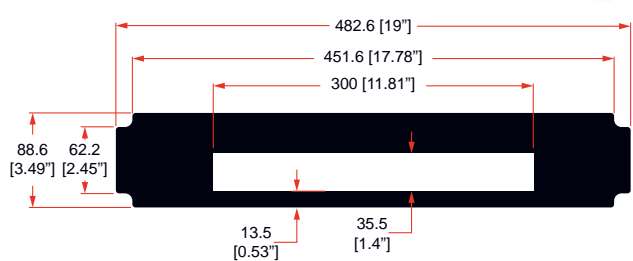
2U SHELF FOR 1 X YOUVIEW HUMAX BOX

R1498/2UK-DTVH24



2U SHELF FOR 1 X DIRECTV H24 HD RECEIVER

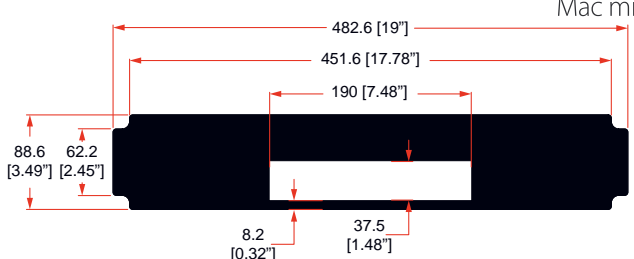
R1498/2UK-DIRECTTV



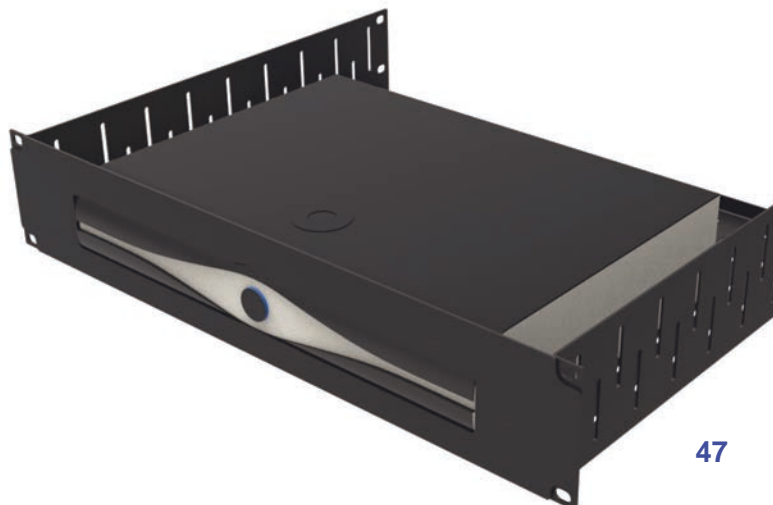
2U SHELF FOR 1 X DIRECTV H25 HD RECEIVER

Computers

R1498/2UK-MACMINI13

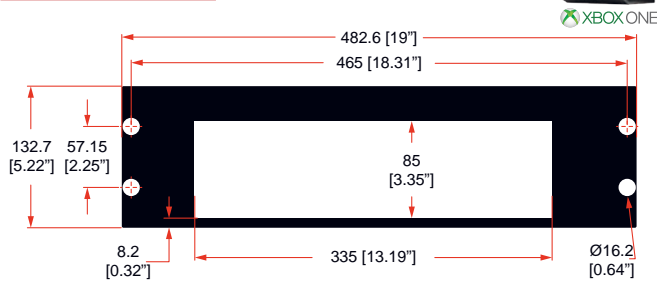


2U SHELF FOR 1 X MAC MINI (2013 MODEL)



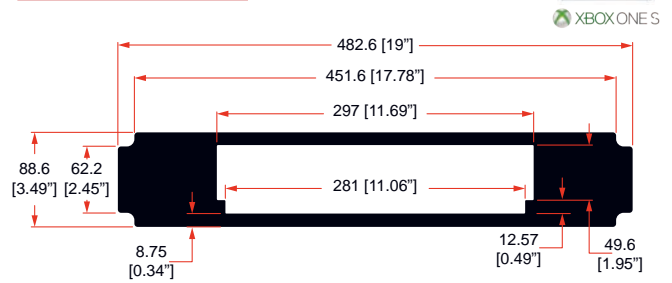
Video Game Consoles

R1498/3UK-XBOX1



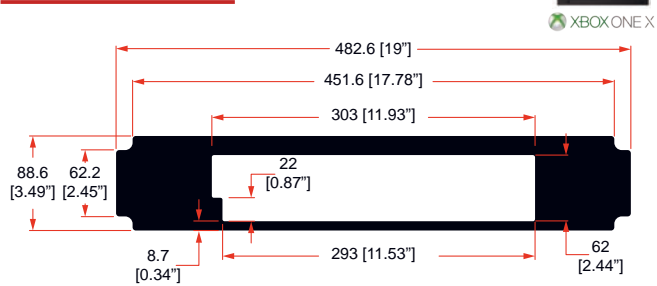
3U SHELF FOR 1 X MICROSOFT XBOX ONE

R1498/2UK-XBOX1S



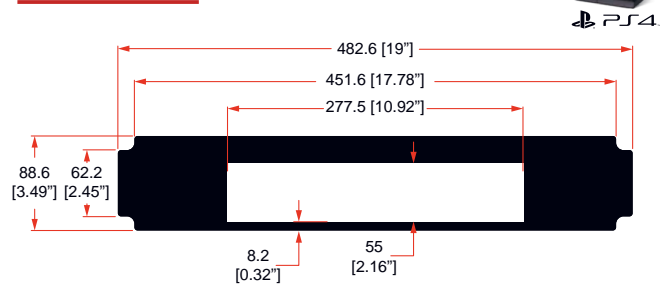
3U SHELF FOR 1 X MICROSOFT XBOX ONE S

R1498/2UK-XBOX1X



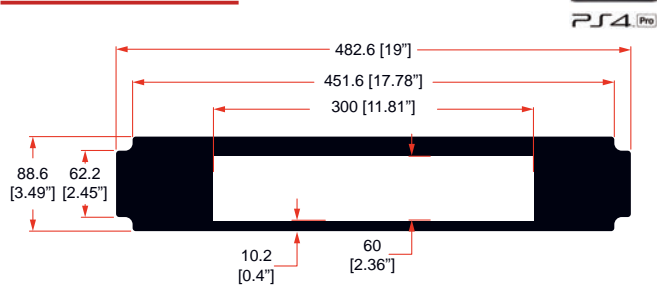
3U SHELF FOR 1 X MICROSOFT XBOX ONE X

R1498/2UK-PS4



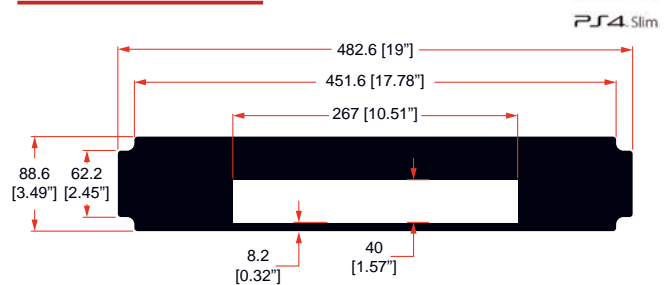
2U SHELF FOR 1 X SONY PS4

R1498/2UK-PS4-PRO



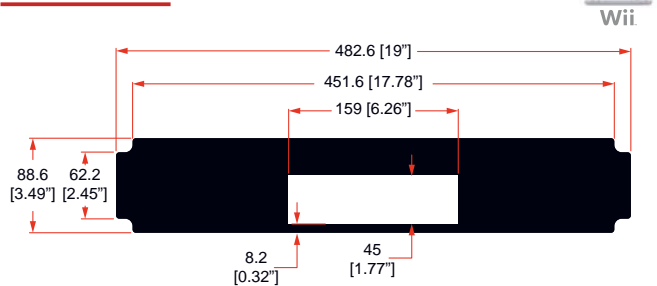
2U SHELF FOR 1 X SONY PS4

R1498/2UK-PS4-SLIM

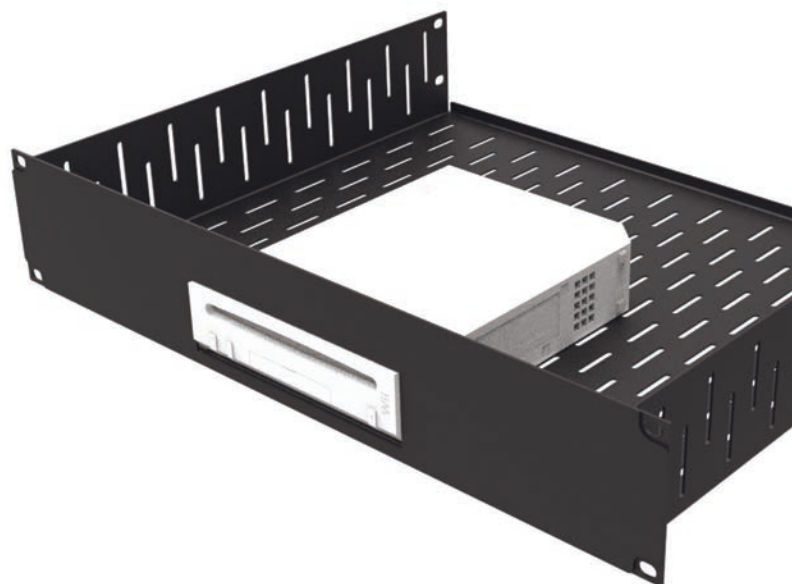


2U SHELF FOR 1 X SONY PS4

R1498/2UK-WII



2U SHELF FOR 1 X NINTENDO WII



Scan to Watch
Our Video

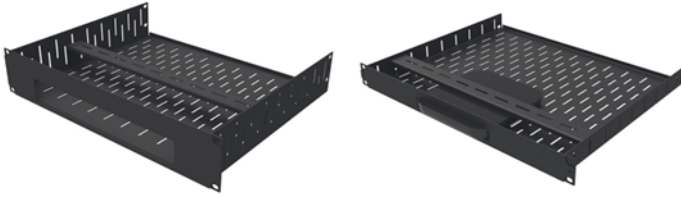
Or Visit:
youtu.be/XUn8jFNdU0s

Rack Shelf With Custom Face Plate - R1498/R1497

Vented Rack Shelf with CNC cut Magnetic Face Plate.

Custom Front Panels available for any piece of equipment on the market such as AV equipment or game consoles.

Comes with a Clamp Bar for to help secure your equipment.



Material: Steel

Finish: Black

R1288-CBK

SONOS Wireless HiFi

Part No.	Application	U Size	Weight
R1498/2UK-SB1	1 X SONOS BRIDGE	2U	3.5kg/7.72lb
R1498/2UK-SB2	2 X SONOS BRIDGE		
R1498/2UK-SB3	3 X SONOS BRIDGE		
R1498/2UK-SONOS1	1 x SONOS CONNECT	2U	3.5kg/7.72lb
R1498/2UK-SONOS2	2 x SONOS CONNECT		
R1498/2UK-SONOS3	3 x SONOS CONNECT		
R1498/2UK-S90B1	1 X SONOS BRIDGE & 1 x SONOS CONNECT	2U	3.5kg/7.72lb
R1498/3UK-SONOSZP120S	1 x SONOS CONNECT:AMP	3U	5kg/11.02lb
R1498/3UK-SONOSZP120	2 x SONOS CONNECT:AMP		
R1498/3UK-S12090	1 x SONOS CONNECT:AMP & 1 x SONOS CONNECT	3U	5kg/11.02lb
R1498/3UK-S120B1	1 X SONOS BRIDGE & 1 x SONOS CONNECT:AMP	3U	5kg/11.02lb
R1498/2UK-SONAMP1	1 X SONOS AMP <i>NEW!</i>	2U	3.5kg/7.72lb
R1498/2UK-SONAMP2	2 X SONOS AMP		
R1498/2UK-SONAMPZP90	1 x SONOS AMP & 1 x SONOS ZP90 <i>NEW!</i>	2U	3.5kg/7.72lb
R1498/2UK-SPORT1	1 X SONOS PORT <i>NEW!</i>	2U	3.5kg/7.72lb
R1498/2UK-SPORT2	2 X SONOS PORT <i>NEW!</i>	2U	3.5kg/7.72lb
R1498/2UK-SONPT	1 X SONOS PORT & 1 X SONOS AMP <i>NEW!</i>	2U	3.5kg/7.72lb

Computers

Part No.	Application	U Size	Weight
R1498/2UK-MACMINI13	1 X Mac Mini (2013 Model)	2U	3.5kg/7.72lb

Satellite Receivers

Part No.	Application	U Size	Weight
R1497/2UK-SKYHD	1 X Sky DRX890 Sky+HD Box	2U	3.5kg/7.72lb
R1497/2UK-SKY-DRX895	1 X Sky DRX895 Sky+HD Box		
R1498/2UK-DIRECTTV	1 X DIRECTV HD Receiver		
R1498/2UK-DTVH24	1 X DIRECTV H24 HD RECEIVER		

Video Game Consoles

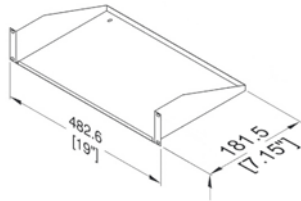
Part No.	Application	U Size	Weight
R1498/2UK-PS4	1 X PS4	2U	3.5kg/7.72lb
R1498/2UK-PS4-PRO	1 X PS4 Pro		
R1498/2UK-PS4-SLIM	1 X PS4 Slim		
R1498/3UK-XBOX1	1 X XBOX One	3U	5kg/11.02lb
R1498/2UK-XBOX1S	1 X Xbox One S	2U	3.5kg/7.72lb
R1498/2UK-XBOX1X	1 X Xbox One X	2U	3.5kg/7.72lb
R1498/2UK-WII	1 X Wii	2U	3.5kg/7.72lb

Streaming TV Boxes

Part No.	Application	U Size	Weight
R1498/1UK-ATV1	1 X Apple TV Gen 3	1U	2.8kg/6.17lb
R1498/1UK-ATV2	2 X Apple TV Gen 3		
R1498/2UK-ATV1	1 X APPLE TV Gen 4	2U	3.5kg/7.72lb
R1498/2UK-ATV2	2 X APPLE TV Gen 4		
R1498/2UK-ATV3	3 X APPLE TV Gen 4		
R1498/1UK-ROKU4	1 X Roku 4 streaming player	1U	2.8kg/6.17lb
R1497/2UK-2TB	1 X Sky+ HD 2TB BOX	2U	3.5kg/7.72lb
R1498/2UK-SKYQ	1 X SKY Q BOX	2U	3.5kg/7.72lb
R1498/2UK-SKYQMINI	1 X SKY Q MINI BOX	2U	3.5kg/7.72lb
R1498/2UK-YVT100	1 X YOUVIEW HUMAX BOX	2U	3.5kg/7.72lb
R1498/1UK-AMAZON	1 X AMAZON FIRE	1U	2.8kg/6.17lb

R1194-180 1U-2U - Rack Shelf

180mm / 7" Deep Rack Shelves
Black Powder Coated



Material: 1.5mm / 16 gauge Steel

1U Rack Shelf

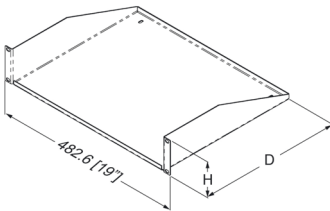
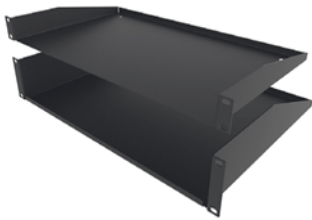
Part No.	Finish	Size (U)	Depth	Recommended Load Capacity	Weight
R1194/1UK-180	Black	1U	181.5mm / 7.15"	15kg/33.07lb	1.23kg/2.71lb

2U Rack Shelf

Part No.	Finish	Size (U)	Depth	Recommended Load Capacity	Weight
R1194/2UK-180	Black	2U	181.5mm / 7.15"	22kg/48.5lb	1.5kg/3.31lb

R1194 1U-2U - Rack Shelf

1U and 2U Rack Shelves.
Available in Black Powder Coated or Light Grey (RAL7035).



	H	D
1U	43.8 [1.72"]	270.5 [10.65"]
2U	88.1 [3.47"]	368.2 [14.5"]

Material: 1.5mm / 16 gauge Steel

1U Rack Shelf

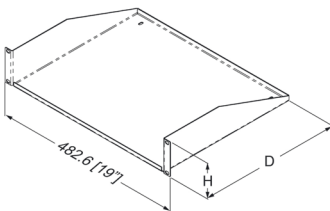
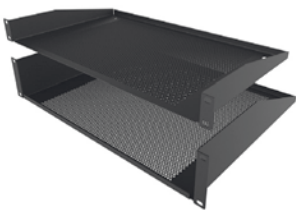
Part No.	Finish	Size (U)	Depth	Recommended Load Capacity	Weight
R1194/1UK R1194/1UG	Black Grey	1U	270.5mm / 10.65"	15kg/33.07lb	1.54kg/3.38lb

2U Rack Shelf

Part No.	Finish	Size (U)	Depth	Recommended Load Capacity	Weight
R1194/2UK R1194/2UG	Black Grey	2U	368.2mm / 14.5"	22kg/48.5lb	2.38kg/5.25lb

R1194 1UV-2UV - Vented Rack Shelf

1U and 2U Vented Rack Shelf.
Perforation allows 61% free air.
Available in Black Powder Coated or Light Grey (RAL7035).



	H	D
1U	43.8 [1.72"]	270.5 [10.65"]
2U	88.1 [3.47"]	368.2 [14.5"]

Material: 1.5mm / 16 gauge Steel



Scan to Watch
Our Video

Or Visit:
youtu.be/aCEqyin4K3c

1U Rack Shelf

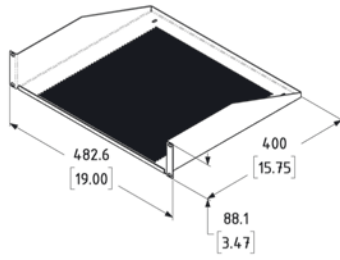
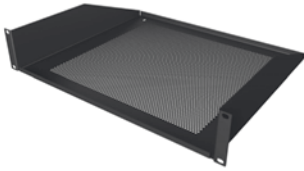
Part No.	Finish	Size (U)	Depth	Recommended Load Capacity	Weight
R1194/1UVK R1194/1UVG	Black Grey	1U	270.5mm / 10.65"	15kg/33.07lb	1kg/2.2lb

2U Rack Shelf

Part No.	Finish	Size (U)	Depth	Recommended Load Capacity	Weight
R1194/2UVK R1194/2UVG	Black Grey	2U	368.2mm / 14.5"	22kg/48.5lb	1.6kg/3.53lb

R1194-400 2UV

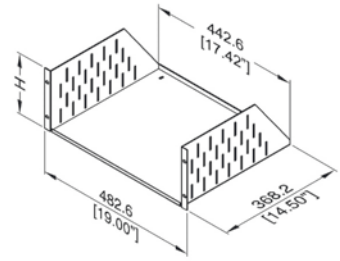
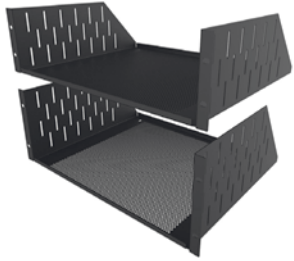
400mm / 15.75" Deep 2U Vented Rack Shelf.
Perforation allows 61% free air.
Recommended Load Capacity: 19kg/41.89lb
Black Powder Coated.



Part No.	Finish	Size (U)	Depth	Weight
R1194-400/2UVK	Black	2U	400mm / 15.75"	2.31kg/5.09lb

R1194 3UV-4UV - Vented Rack Shelf

3U and 4U Vented Rack Shelf.
Perforation allows 61% free air.
Shelves include Side Slots for R1288/CB (p.55) Clamping Bars (Sold Separately).
Recommended Load Capacity: 38kg/83.78lb
Available in Black Powder Coated or Light Grey (RAL7035).



SHELF	H
3U	133.4 / 5.25"
4U	177.8 / 7.00"

Material: 1.5mm / 16 gauge Steel



R1288-CBK

3U Rack Shelf

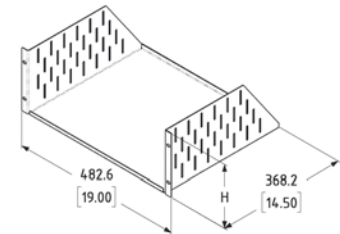
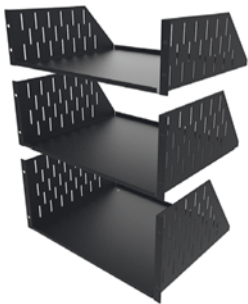
Part No.	Finish	Size (U)	Depth	Weight
R1194/3UVK	Black	3U	368.2mm / 14.5"	2.68kg/5.91lb
R1194/3UVG	Grey			

4U Rack Shelf

Part No.	Finish	Size (U)	Depth	Weight
R1194/4UVK	Black	4U	368.2mm / 14.5"	3.14kg/6.92lb
R1194/4UVG	Grey			

R1194 3U-5U - Rack Shelf

3U, 4U and 5U Rack Shelves.
Shelves include Side Slots for R1288/CB (p.55) Clamping Bars (Sold Separately).
Recommended Load Capacity: 38kg/83.78lb
Available in Black Powder Coated or Light Grey (RAL7035).



SHELF	H
3U	132.7 / 5.225"
4U	177.1 / 6.973"
5U	221.6 / 8.725"

Material: 1.5mm / 16 gauge Steel



R1288-CBK

3U Rack Shelf

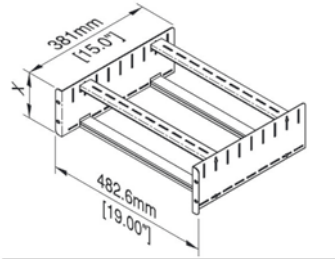
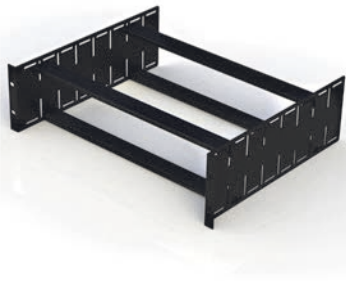
Part No.	Finish	Size (U)	Depth	Weight
R1194/3UK	Black	3U	368.2mm / 14.5"	3.49kg/7.69lb
R1194/3UG	Grey			

4U Rack Shelf

Part No.	Finish	Size (U)	Depth	Weight
R1194/4UK	Black	4U	368.2mm / 14.5"	3.84kg/8.47lb
R1194/4UG	Grey			

5U Rack Shelf

Part No.	Finish	Size (U)	Depth	Weight
R1194/5UK	Black	5U	368.2mm / 14.5"	4.53kg/9.99lb



SHELF	X
2U	88.9 / 3.50"
3U	133.4 / 5.25"
4U	177.8 / 7.00"

R1288

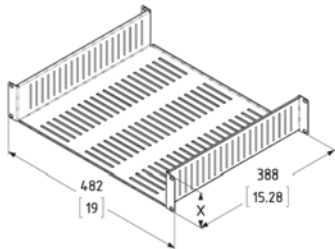
Adjustable Utility Shelf, Black.

Comes with:

- 2 x End Plates
- 4 x **R1288/CB** (p.55) Crossbars

Material: 1.5mm / 16 gauge Steel

Part No.	Size (U)	Depth	Weight
R1288/2UK	2U	381mm / 15"	2kg/4.41lb
R1288/3UK	3U		2.33kg/5.14lb
R1288/4UK	4U		3.09kg/6.82lb
R1288/5UK	5U		3.5kg/7.72lb
R1288/6UK	6U		3.8kg/8.38lb



SHELF	X
1U	44.4 / 1.75"
2U	88.9 / 3.50"
3U	133.4 / 5.25"

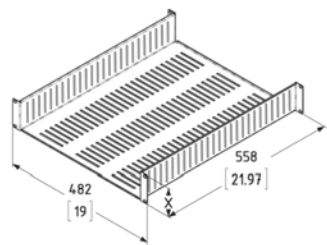
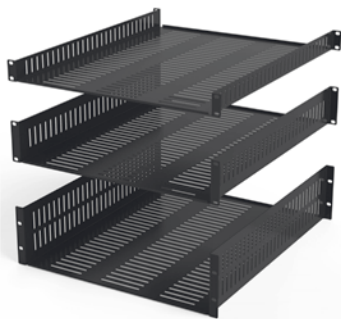
RSU0x

388mm / 15.28" Deep Vented Rack Shelves With Rear Support.

Material: 1.2mm / 18 gauge Steel



Part No.	Finish	Description	Size (U)
RSU01	Black	388mm / 15.28" Deep Shelves	1U
RSU02	Black	388mm / 15.28" Deep Shelves	2U
RSU03	Black	388mm / 15.28" Deep Shelves	3U



SHELF	X
1U	44.4 / 1.75"
2U	88.9 / 3.50"
3U	133.4 / 5.25"

RSU0x-600

558mm / 21.97" Deep Vented Rack Shelves With Rear Support.

Material: 1.2mm / 18 gauge Steel

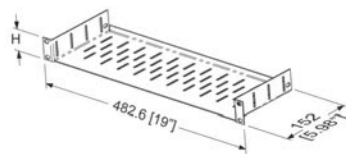


Scan to Watch Our Video

Or Visit: youtu.be/wX0qLJFocE8



Part No.	Finish	Description	Size (U)
RSU01-600	Black	558mm / 21.97" Deep Shelves	1U
RSU02-600	Black	558mm / 21.97" Deep Shelves	2U
RSU03-600	Black	558mm / 21.97" Deep Shelves	3U



SHELF	X
1U	44.4 / 1.75"
2U	88.9 / 3.5"

R1297-152 - Clamping Rack Shelf

152mm / 5.98" deep Clamping Rack Shelf.

Shelves include Side Slots for **R1288/CB** (p.55) Clamping Bars (Sold Separately).

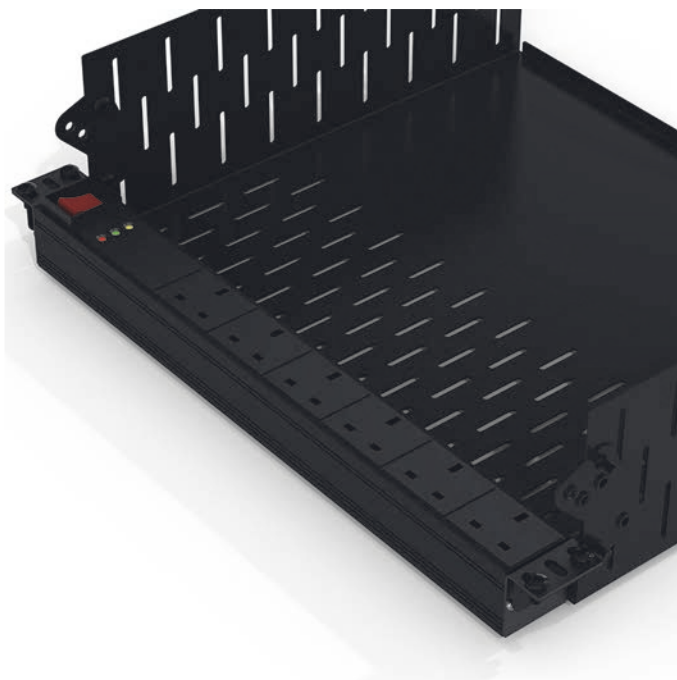
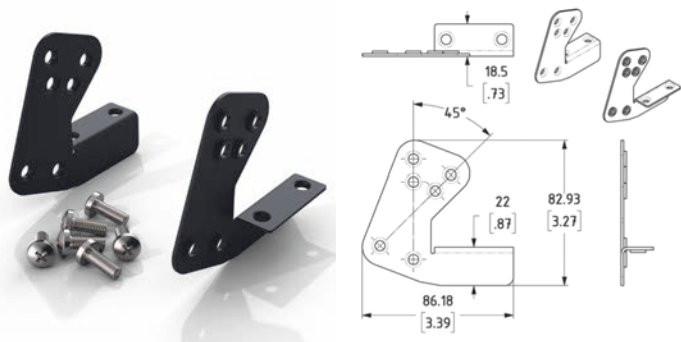
Use **R1206** (p.109) for Rear Support.

Material: 1.5mm / 16 gauge Steel



Part No.	Finish	Size (U)	Depth
R1297-152/1UK	Black	1U	152mm / 5.98"
R1297-152/2UK	Black	2U	152mm / 5.98"

R1297-RMB - Rear Mounting Brackets *NEW!*



Brackets for mounting 1U Equipment to rear of R1297 Shelf.

Can be mounted Horizontally or at 45°

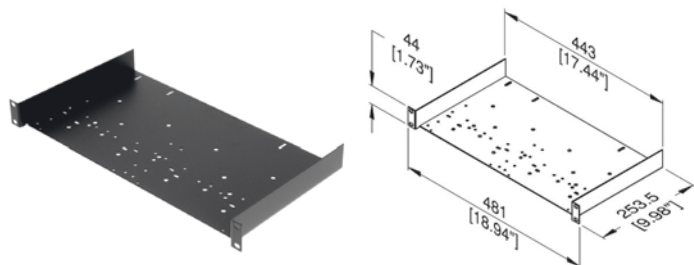
Includes 2 Brackets and Fixing Screws.

Material: 1.5mm Steel

Part No.	Finish	Description
R1297-RMBK	Black	1U Rear Mounting Kit

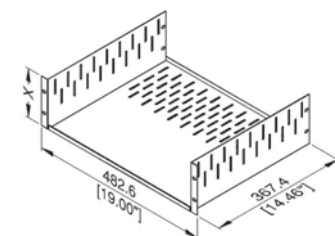
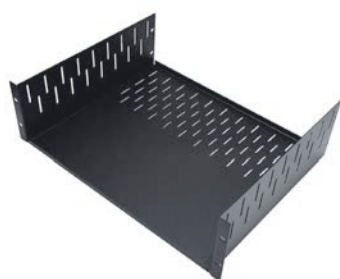
R1191

Utility Rack Shelf. Black Powder Coated.



Material: 1.5mm / 16 gauge Steel

Part No.	Size (U)	Depth	Weight
R1191/1UK	1U	253.5mm / 9.98"	1.53kg/3.37lb
R1191/2UK	2U	253.5mm / 9.98"	1.88kg/4.14lb



SHELF	X
2U	88.9 / 3.50"
3U	133.4 / 5.25"
4U	177.8 / 7.00"

R1297 - Clamping Rack Shelf

367mm / 14.45" deep Clamping Rack Shelf.

Shelves include Side Slots for **R1288/CB** (p.55) Clamping Bars (Sold Separately).

Use **R1206** (p.109) for Rear Support.

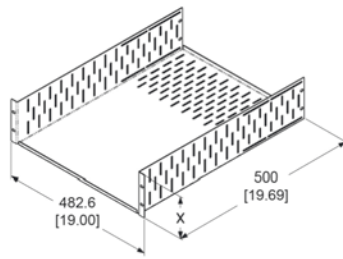
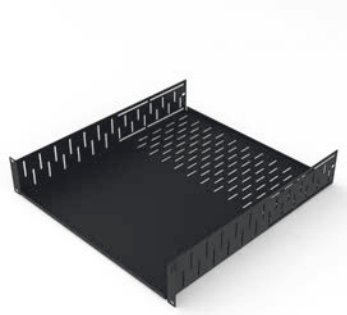
Available in Black Powder Coated or Light Grey (RAL7035).

Material: 1.5mm / 16 gauge Steel



Part No.	Finish	Size (U)	Depth	Weight
R1297/1-5UK	Black	1.5U	367.4mm / 14.46"	2.64kg/5.81lb
Part No.	Finish	Size (U)	Depth	Weight
R1297/2UK	Black	2U	367.4mm / 14.46"	3.52kg/7.75lb
R1297/2UG	Grey			
Part No.	Finish	Size (U)	Depth	Weight
R1297/3UK	Black	3U	367.4mm / 14.46"	4.04kg/8.91lb
R1297/3UG	Grey			
Part No.	Finish	Size (U)	Depth	Weight
R1297/4UK	Black	4U	367.4mm / 14.46"	4.5kg/9.92lb
R1297/4UG	Grey			

Rack Shelves



SHELF	X
2U	88.9 / 3.50"
3U	133.4 / 5.25"
4U	177.8 / 7.00"

R1297-500 - Clamping Rack Shelf

500mm / 19.69" Deep Clamping Rack Shelf.

Shelves include Side Slots for **R1288/CB** (p.55) Clamping Bars (Sold Separately).

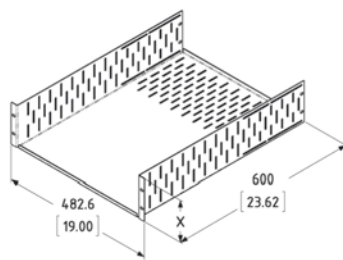
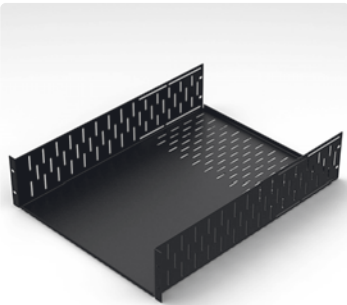
Use **R1206** (p.109) for Rear Support.

Powder Coated Black.

Material: 1.5mm / 16 gauge Steel



Part No.	Finish	Size (U)	Weight
R1297-500/2UK	Black	2U	3.52kg/7.75lb
R1297-500/3UK	Black	3U	4.04kg/8.91lb
R1297-500/4UK	Black	4U	4.5kg/9.92lb



SHELF	X
2U	88.9 / 3.50"
3U	133.4 / 5.25"
4U	177.8 / 7.00"

R1297-600 - Clamping Rack Shelf

600mm / 23.62" Deep Clamping Rack Shelf.

Shelves include Side Slots for **R1288/CB** (p.55) Clamping Bars (Sold Separately).

Use **R1206** (p.109) for Rear Support.

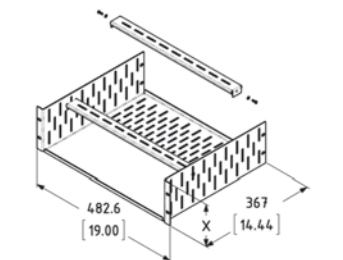
Powder Coated Black.

Material: 1.5mm / 16 gauge Steel



Part No.	Finish	Size (U)	Weight
R1297-600/2UK	Black	2U	
R1297-600/3UK	Black	3U	
R1297-600/4UK	Black	4U	

Rack Shelves



SHELF	X
2U	88.9 / 3.50"
3U	133.4 / 5.25"
4U	177.8 / 7.00"

R1397

Clamping Rack Shelf.

2 **R1288/CBK** (p.55) clamp bars included.

Material: Steel

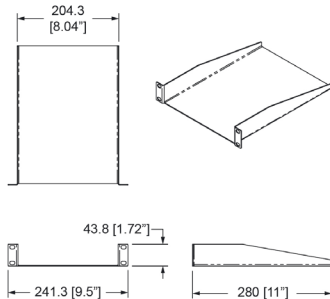
Part No.	Finish	Size	Depth
R1397/2UK	Black	2U	367mm / 14.45"
R1397/3UK	Black	3U	367mm / 14.45"
R1397/4UK	Black	4U	367mm / 14.45"

R1194-905 - Half Rack Shelves

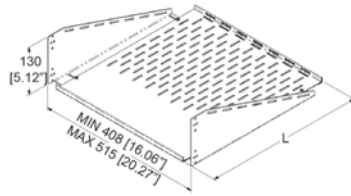
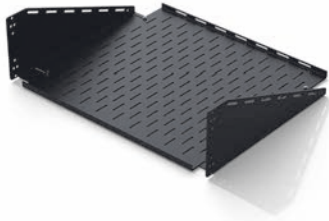
9.5" Rack Shelves

- Depth: 280mm / 11.02"

- Available in plain or vented version



Part No.	Finish	Description	Weight
R1194-905/1UK	Black	9.5" Rack Shelf	0.87kg/1.92lb
R1194-905/1UVK	Black	9.5" Vented Rack Shelf	0.76kg/1.67lb



Part No.	L
R1187-290	290 [11.42"]
R1187-350	350 [13.78"]
R1187-390	390 [15.35"]
R1187-440	440 [17.32"]
R1187-520	520 [20.47"]

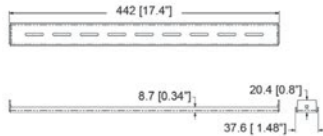
R1187 NEW!

Wide Adjustable Rack shelf Shelf, for mounting over sized equipment.

Material: Steel

Finish: Black

Part No.	Depth
R1187-290	290mm / 11.42"
R1187-350	350mm / 13.78"
R1187-390	390mm / 15.35"
R1187-440	440mm / 17.32"
R1187-520	520mm / 20.47"



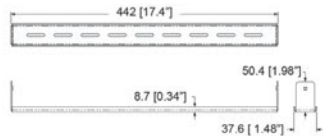
R1288/CB

Clamp Bar for use with rack shelves with side slots
Works with:

- Rack Shelf With Custom Face Plate (p.49)
 - R1297-152 (p.52), R1297 (p.53), R1297-500 (p.54), R1297-600 (p.54) and R1397 (p.54) Clamping Rack Shelves
 - R1288 (p.52) Utility Shelves
 - R1194/3UK (p.51), R1194/4UK (p.51), RSU0x (p.52), RSU0x-600 (p.52) Rack Shelves
- Includes Foam Strip and Fixing Screws.

Material: 1.5mm / 16 gauge Steel

Part No.	Finish	Description	Weight
R1288/CBK	Black	Clamp Bar	0.27kg/0.6lb
R1288/CBG	Grey		



R1288-DCB

Deep Clamp Bar for use with rack shelves with side slots
Works with:

- Rack Shelf With Custom Face Plate (p.49)
 - R1297-152 (p.52), R1297 (p.53), R1297-500 (p.54), R1297-600 (p.54) and R1397 (p.54) Clamping Rack Shelves
 - R1288 (p.52) Utility Shelves
 - R1194/3UK (p.51), R1194/4UK (p.51), RSU0x (p.52), RSU0x-600 (p.52) Rack Shelves
- Includes Foam Strip and Fixing Screws.

Material: 1.5mm / 16 gauge Steel

Part No.	Description
R1288-DCBK	Deep Clamp Bar

Rack Shelves

CABLE MGMT PANELS

p. 84

RACK DOORS

p. 86

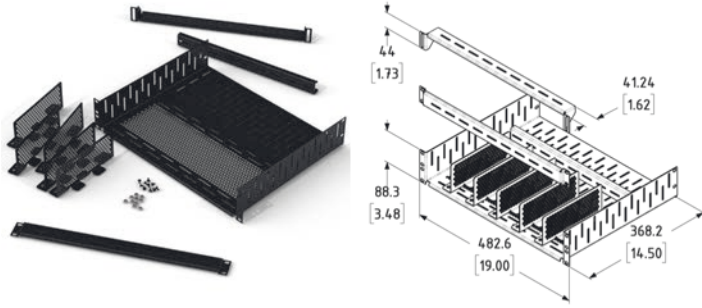
RACK HANDLES

p. 87

RACK COOLING SYSTEMS

p. 88

R1297-DVS-2U - Vertical Divider Shelf System *NEW!*



19" Vertical Mounting Divider Shelf System.
For Rack Mounting 2 to 10 devices vertically.

Kit consists of:

- 2U Divider Shelf
- Dividers
- Upper Clamp Bar
- Back Stop Bar
- Front Mount 'Travel Lock' Bar

Material: Steel

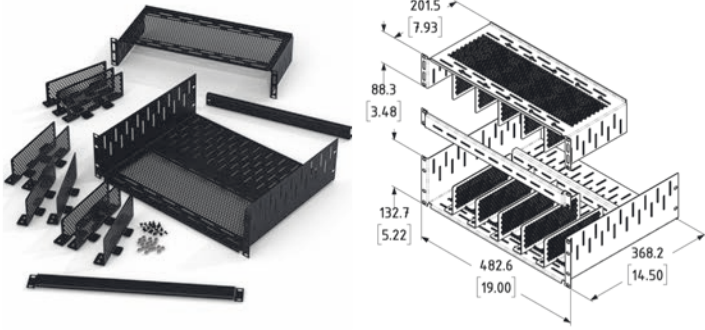
Finish: Black

Part No.	Description
R1297-DVS-2UK	2U Vertical Divider Shelf Kit

Components

Part No.	Description
R1297-DVS-SHELF-2UK 	2U Divider Shelf
R1297-DV190-K 	190mm / 7.48" Divider
R1297-CBK 	Upper Clamp Bar
R1297-TCBK 	Front Mount Travel Clamp
R1297-BSK 	Back Stop

R1297-DVS-3U - Vertical Divider Shelf System *NEW!*



19" Vertical Mounting Divider Shelf System.
For Rack Mounting 2 to 10 devices vertically.

Kit consists of:

- 3U Divider Shelf
- Dividers
- 2U Upper Clamp Shelf
- Back Stop Bar
- Front Mount 'Travel Lock' Bar

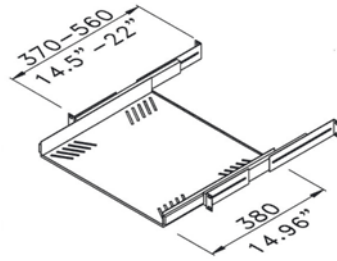
Material: Steel

Finish: Black

Part No.	Description
R1297-DVS-3UK	3U Vertical Divider Shelf Kit

Components

Part No.	Description
R1297-DVS-SHELF-3UK	3U Divider Shelf
R1297-DV190-K	190mm / 7.48" Divider
R1297-DC-2UK	2U Upper Divider Clamp Shelf
R1297-TCBK	Front Mount Travel Clamp
R1297-BSK	Back Stop



R1290

R1290 - 1U Sliding Rack Tray

Sliding Rack Tray, with Universal Equipment Fixing Points.
Recommended Load Capacity 19kg/41.89lb
Available in Black Powder Coated or Light Grey (RAL7035).



Scan to Watch
Our Video

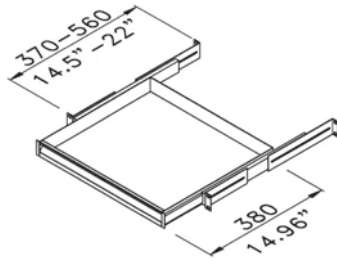
Or Visit:
youtu.be/SXv7d41zzwA

Material: 1.2mm / 18 gauge Steel

Part No.	Finish	Description	Weight
R1290/1U	Black	380mm / 14.96" Sliding Rack Tray	2.67kg/5.89lb
R1290/1UG	Grey		
R1290-600/1UK	Black	560mm / 22.05" Sliding Rack Tray	4.58kg/10.1lb
R1290-600/1UG	Grey		

R1291 - 1U Rack Drawer

1U Rack Drawer.
Can be used upside down as a shelf
Inside Dimensions:
Width x Depth x Height = 415mm x 368mm x 41mm / 16.34" x 14.49" x 1.61"

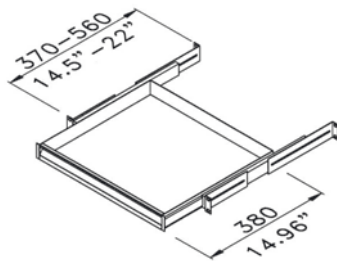


Material: 1.2mm / 18 gauge Steel

Part No.	Finish	Load Capacity	Weight
R1291K	Black	19kg/41.89lb	3.3kg/7.27lb
R1291G	Grey (RAL7035)		

R1291K/2L - 1U Rack Drawer

1U Rack Drawer with 2 Slam Locks.
Can be used upside down as a shelf.
Inside Dimensions:
Width x Depth x Height = 415mm x 364mm x 41mm / 16.34" x 14.33" x 1.61"



Material: 1.2mm / 18 gauge Steel



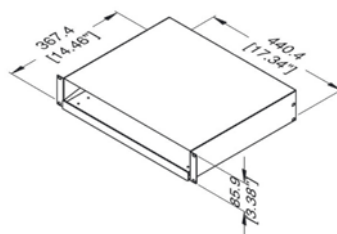
Scan to Watch
Our Video

Or Visit:
youtu.be/QILtHlyfQWE

Part No.	Load Capacity	Weight
R1291K/2L	19kg/41.89lb	3.18kg/7lb

R1292-KBT - Keyboard Tray

Sliding Keyboard Tray.
Available in Black Powder Coated or Light Grey (RAL7035).

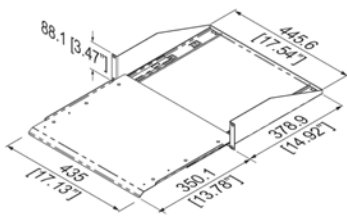


Material: 1.5mm / 16 gauge Steel

Part No.	Finish	Description	Weight
R1292-KBT	Black	Sliding Keyboard Tray	3.67kg/8.1lb
R1292-GKBT	Grey	Sliding Keyboard Tray	3.67kg/8.1lb

R1194/2U-SL - Sliding Rack Shelf

Sliding Rack Shelf.
 Can also be used as a Sliding Keyboard Tray.
 Available in Black Powder Coated or Light Grey (RAL7035).
 Load Capacity: 16kg/35.27lb



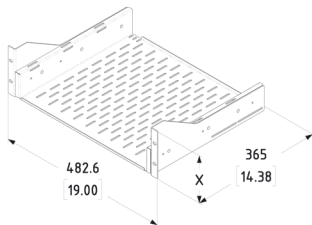
Scan to Watch
Our Video

Or Visit:
youtu.be/U3ouEXtKu9A

Material: 1.5mm / 16 gauge Steel

Part No.	Finish	Weight
R1194/2UK-SL	Black	4.91kg/10.82lb
R1194/2UG-SL	Grey	4.91kg/10.82lb

R1297-SL



SHELF	X
2U	88.9 / 3.50"
3U	133.4 / 5.25"
4U	177.8 / 7.00"

R1497-SL - R1498-SL **NEW!**

Sliding Rack Shelf with Vented tray.
 Reinforced Rack Mounting Ears.
 For use with R1497 & R1498 Magnetic Front Panels.
 Available in Black Powder Coated or Light Grey (RAL7035).

365mm / 14" Deep

Part No.	Finish	Size (U)	Depth	Weight
R1297-SL-2UK	Black	2U	365mm / 14.37"	3.99kg/8.79lb
R1297-SL-3UK	Black	3U	365mm / 14.37"	
R1297-SL-4UK	Black	4U	365mm / 14.37"	

Without Front Lip

Part No.	Finish	Size (U)	Depth	Weight
R1498-SL-2UK	Black	2U	365mm / 14.37"	
R1498-SL-3UK	Black	3U	365mm / 14.37"	

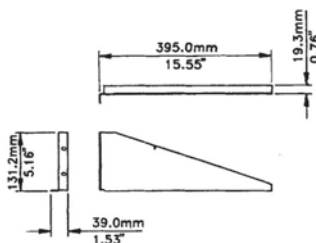
465mm / 18" Deep

Part No.	Finish	Size (U)	Depth	Weight
R1297-SL18-2UK	Black	2U	465mm / 18.31"	
R1297-SL18-3UK	Black	3U	465mm / 18.31"	
R1297-SL18-4UK	Black	4U	465mm / 18.31"	5.88kg/12.95lb

Rack Shelf Supports

R1195 - Shelf Support

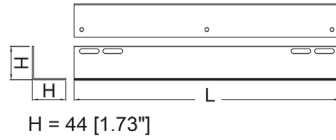
Rack Shelf Extensions for racks above one piece, i.e. 4 units and over.
 Sold in pairs.



Material: 1.5mm / 16 gauge Steel

Part No.	Finish	Description	Weight
R1195	Black	Rack Shelf Extensions	0.89kg/1.97lb

60 - Rack Shelf Supports



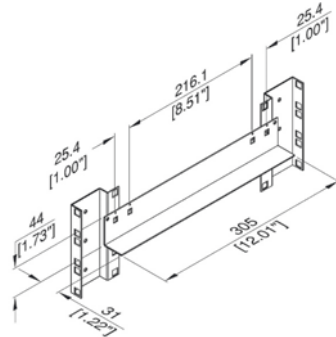
PART	L
R8840/10	250 / 9.84"
R8840/14	350 / 13.78"
R8840/16	410 / 16.14"
R8840/18	450 / 17.72"
R8840/22	550 / 21.65"
R8840/26	650 / 25.59"
R8840/30	750 / 29.53"

R8840 - Shelf Support

Rack Shelf Support to suit **R8800** (p.35) .
Black Powder Coated.
Sold individually.

Material: 1.5mm / 16 gauge Steel

Part No.	Finish	Length (L)	Weight
R8840/10	Black	250mm / 9.84"	0.18kg/0.41lb
R8840/14		350mm / 13.78"	0.26kg/0.56lb
R8840/16		410mm / 16.14"	0.34kg/0.76lb
R8840/18		450mm / 17.72"	0.42kg/0.92lb
R8840/22		550mm / 21.65"	0.43kg/0.95lb
R8840/26		650mm / 25.59"	0.48kg/1.05lb
R8840/30		750mm / 29.53"	0.55kg/1.21lb

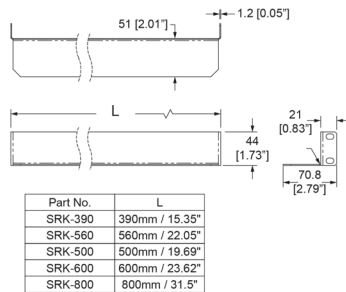


R0855 - R0858 - Shelf Support

Rack Shelf Support, to suit **R0883** (p.41) .
Sold individually.

Material: 1.5mm / 16 gauge Steel

Part No.	Finish	Length	Weight
R0855K	Black	305mm / 12.01"	0.3kg/0.66lb
R0856K		406mm / 15.98"	0.34kg/0.76lb
R0857K		508mm / 20"	0.43kg/0.95lb
R0858K		610mm / 24.02"	0.52kg/1.14lb



SRK Rack Shelf Supports

Rack Shelf Support, for R2020 & Contractor Racks.
Sold in pairs.

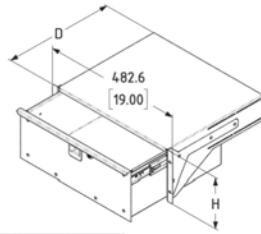
Material: Steel

Support Rails for Contractor Racks

Part No.	Description	Length
SRK-390		390mm / 15.35"
SRK-560	for C600 Contractor Racks	560mm / 22.05"

Support Rails for R2020 Racks

Part No.	Description	Length
SRK-500	For R2020	500mm / 19.69"
SRK-600	For R2020-60	600mm / 23.62"
SRK-800	For R2020-80	800mm / 31.5"



Size (U)	H	Drawer	D
2U	88.3 / 3.48"	10"	286.5 / 11.28"
3U	132.7 / 5.23"	14"	386.5 / 15.22"
4U	177.1 / 6.98"	18"	486.5 / 19.15"
5U	221.8 / 8.73"		
6U	266.1 / 10.48"		
7U	310.6 / 12.23"		
8U	355.2 / 13.99"		

R1292-R1296 - Steel Rack Drawers

Updated Design

Rack Drawer with Slam Lock, Key Lock and Integrated Front Pull Handle.
 Reinforced Rack Mounting Ears.
 Knock-Outs for Cable Access at the Rear.
 3 Depths Available: 265mm / 10", 365mm / 14" and 465mm / 18"
 Available in Black Powder Coated or Light Grey (RAL7035).
 Optional Rear Support Brackets **R2292-RSB-KIT** (p.65) Available.
 Replacement Slam Latch available **R1292-SLAM** (p.65)

Material: Steel

265mm / 10" Deep

Part No.	Finish	Size (U)	Internal Dimensions (W x D x H)	Recommended Load Capacity	Weight
R1292K/10	Black	2U	409mm x 255mm x 74mm / 16.1" x 10.04" x 2.91"	22kg/48.5lb	4.39kg/9.68lb
R1293K/10	Black	3U	409mm x 255mm x 119mm / 16.1" x 10.04" x 4.69"	26kg/57.32lb	5.16kg/11.38lb
R1294K/10	Black	4U	409mm x 255mm x 163mm / 16.1" x 10.04" x 6.42"	35kg/77.16lb	5.79kg/12.76lb
R1295K/10	Black	5U NEW!	409mm x 255mm x 208mm / 16.1" x 10.04" x 8.19"	35kg/77.16lb	
R1296K/10	Black	6U NEW!	409mm x 255mm x 252mm / 16.1" x 10.04" x 9.92"	38kg/83.78lb	

365mm / 14" Deep

Part No.	Finish	Size (U)	Internal Dimensions (W x D x H)	Recommended Load Capacity	Weight
R1292K	Black	2U	409mm x 355mm x 74mm / 16.1" x 13.98" x 2.91"	22kg/48.5lb	5.87kg/12.94lb
R1292G	Grey	2U	409mm x 355mm x 74mm / 16.1" x 13.98" x 2.91"	22kg/48.5lb	5.87kg/12.94lb
R1293K	Black	3U	409mm x 355mm x 119mm / 16.1" x 13.98" x 4.69"	26kg/57.32lb	6.94kg/15.3lb
R1293G	Grey	3U	409mm x 355mm x 119mm / 16.1" x 13.98" x 4.69"	26kg/57.32lb	6.94kg/15.3lb
R1294K	Black	4U	409mm x 355mm x 163mm / 16.1" x 13.98" x 6.42"	35kg/77.16lb	7.89kg/17.39lb
R1294G	Grey	4U	409mm x 355mm x 163mm / 16.1" x 13.98" x 6.42"	35kg/77.16lb	7.89kg/17.39lb
R1295K	Black	5U	409mm x 355mm x 208mm / 16.1" x 13.98" x 8.19"	35kg/77.16lb	9.12kg/20.11lb
R1295G	Grey	5U	409mm x 355mm x 208mm / 16.1" x 13.98" x 8.19"	35kg/77.16lb	9.12kg/20.11lb
R1296K	Black	6U	409mm x 355mm x 252mm / 16.1" x 13.98" x 9.92"	38kg/83.78lb	10.57kg/23.3lb
R1296G	Grey	6U	409mm x 355mm x 252mm / 16.1" x 13.98" x 9.92"	38kg/83.78lb	10.57kg/23.3lb
R2292-7U	Black	7U NEW!	409mm x 355mm x 297mm / 16.1" x 13.98" x 11.69"	38kg/83.78lb	
R2292-8U	Black	8U NEW!	409mm x 355mm x 341mm / 16.1" x 13.98" x 13.43"	38kg/83.78lb	

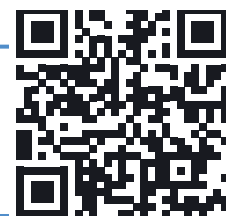
465mm / 18" Deep

Part No.	Finish	Size (U)	Internal Dimensions (W x D x H)	Recommended Load Capacity	Weight
R1292K/18	Black	2U	409mm x 455mm x 74mm / 16.1" x 17.91" x 2.91"	22kg/48.5lb	7.39kg/16.29lb
R1293K/18	Black	3U	409mm x 455mm x 119mm / 16.1" x 17.91" x 4.69"	26kg/57.32lb	8.45kg/18.63lb
R1294K/18	Black	4U	409mm x 455mm x 163mm / 16.1" x 17.91" x 6.42"	35kg/77.16lb	9.41kg/20.75lb
R1295K/18	Black	5U	409mm x 455mm x 208mm / 16.1" x 17.91" x 8.19"	35kg/77.16lb	10.64kg/23.46lb
R1296K/18	Black	6U	409mm x 455mm x 252mm / 16.1" x 17.91" x 9.92"	38kg/83.78lb	12.09kg/26.65lb
R2292-18-7UK	Black	7U NEW!	409mm x 455mm x 297mm / 16.1" x 17.91" x 11.69"	38kg/83.78lb	
R2292-18-8UK	Black	8U NEW!	409mm x 455mm x 341mm / 16.1" x 17.91" x 13.43"	38kg/83.78lb	

Accessories

Part No.	Finish	Description	Weight
R1292-KEY		Barrel Lock and Key for rack drawers	30g/1.06oz
R1292-SLAM	Black	Slam Latch for 1.2mm / 0.05" Panels	
R2292-RSB-KIT	Black	Rear support kit for rack drawers	

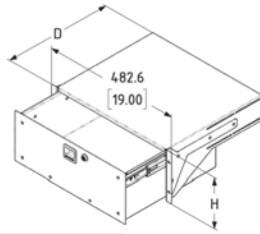
Scan to Watch



Our Video

Or Visit:

youtu.be/uGCWB67vLhM



Size (U)	H	Drawer	D
2U	88.3 / 3.48"	10"	286.5 / 11.28"
3U	132.7 / 5.23"	14"	386.5 / 15.22"
4U	177.1 / 6.98"	18"	486.5 / 19.15"
5U	221.8 / 8.73"		
6U	266.1 / 10.48"		
7U	310.6 / 12.23"		
8U	355.2 / 13.99"		

3232LK-3238LK - Steel Rack Drawers

Updated Design

Rack Drawer with Slam Lock, Key Lock and Flush Front.

Reinforced Rack Mounting Ears.

Knock-Outs for Cable Access at the Rear.

3 Depths Available: 265mm / 10", 365mm / 14" and 465mm / 18"

Optional Rear Support Brackets **R2292-RSB-KIT** (p.65) Available.

Replacement Slam Latch available **3232-SLAM-LOCK** (p.65)

Material: Steel

265mm / 10" Deep

Part No.	Finish	Size (U)	Internal Dimensions (W x D x H)	Recommended Load Capacity
3232-10LK	Black	2U NEW!	409mm x 255mm x 74mm / 16.1" x 10.04" x 2.91"	22kg/48.5lb
3233-10LK	Black	3U NEW!	409mm x 255mm x 119mm / 16.1" x 10.04" x 4.69"	26kg/57.32lb
3234-10LK	Black	4U NEW!	409mm x 255mm x 163mm / 16.1" x 10.04" x 6.42"	35kg/77.16lb
3235-10LK	Black	5U NEW!	409mm x 255mm x 208mm / 16.1" x 10.04" x 8.19"	35kg/77.16lb
3236-10LK	Black	6U NEW!	409mm x 255mm x 252mm / 16.1" x 10.04" x 9.92"	38kg/83.78lb

365mm / 14" Deep

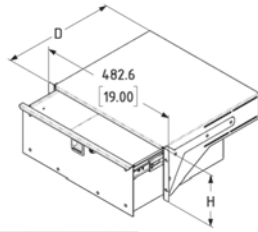
Part No.	Finish	Size (U)	Internal Dimensions (W x D x H)	Recommended Load Capacity
3232LK	Black	2U	409mm x 355mm x 74mm / 16.1" x 13.98" x 2.91"	22kg/48.5lb
3233LK	Black	3U	409mm x 355mm x 119mm / 16.1" x 13.98" x 4.69"	26kg/57.32lb
3234LK	Black	4U	409mm x 355mm x 163mm / 16.1" x 13.98" x 6.42"	35kg/77.16lb
3235LK	Black	5U	409mm x 355mm x 208mm / 16.1" x 13.98" x 8.19"	35kg/77.16lb
3236LK	Black	6U	409mm x 355mm x 252mm / 16.1" x 13.98" x 9.92"	38kg/83.78lb
3237LK	Black	7U NEW!	409mm x 355mm x 297mm / 16.1" x 13.98" x 11.69"	38kg/83.78lb
3238LK	Black	8U NEW!	409mm x 355mm x 341mm / 16.1" x 13.98" x 13.43"	38kg/83.78lb

465mm / 18" Deep

Part No.	Finish	Size (U)	Internal Dimensions (W x D x H)	Recommended Load Capacity
3232-18LK	Black	2U NEW!	409mm x 455mm x 74mm / 16.1" x 17.91" x 2.91"	22kg/48.5lb
3233-18LK	Black	3U NEW!	409mm x 455mm x 119mm / 16.1" x 17.91" x 4.69"	26kg/57.32lb
3234-18LK	Black	4U NEW!	409mm x 455mm x 163mm / 16.1" x 17.91" x 6.42"	35kg/77.16lb
3235-18LK	Black	5U NEW!	409mm x 455mm x 208mm / 16.1" x 17.91" x 8.19"	35kg/77.16lb
3236-18LK	Black	6U NEW!	409mm x 455mm x 252mm / 16.1" x 17.91" x 9.92"	38kg/83.78lb
3237-18LK	Black	7U NEW!	409mm x 455mm x 297mm / 16.1" x 17.91" x 11.69"	38kg/83.78lb
3238-18LK	Black	8U NEW!	409mm x 455mm x 341mm / 16.1" x 17.91" x 13.43"	38kg/83.78lb

Accessories

Part No.	Finish	Description	Weight
R1292-KEY		Barrel Lock and Key for rack drawers	30g/1.06oz
3232-SLAM-LOCK	Black	Slam Latch for 2mm / 0.08" Panels	
R2292-RSB-KIT	Black	Rear support kit for rack drawers	



Size (U)	H	Drawer	D
2U	88.3 / 3.48"	10"	286.5 / 11.28"
3U	132.7 / 5.23"	14"	386.5 / 15.22"
4U	177.1 / 6.98"	18"	486.5 / 19.15"
5U	221.8 / 8.73"		
6U	266.1 / 10.48"		
7U	310.6 / 12.23"		
8U	355.2 / 13.99"		

R2294 - Aluminium Rack Drawers

Lightweight Aluminium Rack Drawer with Steel Rack Ears. With Slam Lock, Key Latch and Integrated Front Pull Handle. Over **40% lighter** than a Steel Drawer. Optional Rear Support Brackets **R2292-RSB-KIT** (p.65) Available. Replacement Slam Latch available **3232-SLAM-LOCK** (p.65)

Material: Aluminium

Finish: Black

287mm / 10" Deep

Part No.	Size (U)	Internal Dimensions (W x D x H)	Recommended Load Capacity	Weight
R2294-10-2UK	2U	407mm x 256mm x 74mm / 16.02" x 10.08" x 2.91"	22kg/48.5lb	2.95kg/6.5lb
R2294-10-3UK	3U	407mm x 256mm x 119mm / 16.02" x 10.08" x 4.69"	26kg/57.32lb	3.45kg/7.61lb
R2294-10-4UK	4U	407mm x 256mm x 163mm / 16.02" x 10.08" x 6.42"	35kg/77.16lb	
R2294-10-5UK	5U NEW!	407mm x 256mm x 208mm / 16.02" x 10.08" x 8.19"	35kg/77.16lb	
R2294-10-6UK	6U NEW!	407mm x 256mm x 252mm / 16.02" x 10.08" x 9.92"	38kg/83.78lb	

387mm / 14" Deep

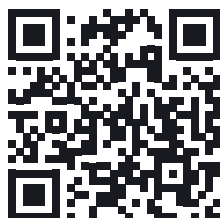
Part No.	Size (U)	Internal Dimensions (W x D x H)	Recommended Load Capacity	Weight
R2294-2UK	2U	407mm x 356mm x 74mm / 16.02" x 14.02" x 2.91"	22kg/48.5lb	4.04kg/8.91lb
R2294-3UK	3U	407mm x 356mm x 119mm / 16.02" x 14.02" x 4.69"	26kg/57.32lb	4.63kg/10.21lb
R2294-4UK	4U	407mm x 356mm x 163mm / 16.02" x 14.02" x 6.42"	35kg/77.16lb	
R2294-5UK	5U NEW!	407mm x 356mm x 208mm / 16.02" x 14.02" x 8.19"	35kg/77.16lb	
R2294-6UK	6U NEW!	407mm x 356mm x 252mm / 16.02" x 14.02" x 9.92"	38kg/83.78lb	
R2294-7UK	7U NEW!	407mm x 356mm x 297mm / 16.02" x 14.02" x 11.69"	38kg/83.78lb	
R2294-8UK	8U NEW!	407mm x 356mm x 341mm / 16.02" x 14.02" x 13.43"	38kg/83.78lb	

487mm / 18" Deep

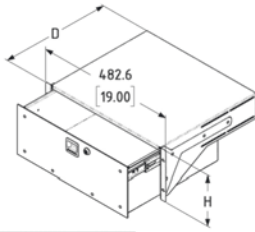
Part No.	Size (U)	Internal Dimensions (W x D x H)	Recommended Load Capacity
R2294-18-2UK	2U NEW!	407mm x 456mm x 74mm / 16.02" x 17.95" x 2.91"	22kg/48.5lb
R2294-18-3UK	3U NEW!	407mm x 456mm x 119mm / 16.02" x 17.95" x 4.69"	26kg/57.32lb
R2294-18-4UK	4U NEW!	407mm x 456mm x 163mm / 16.02" x 17.95" x 6.42"	35kg/77.16lb
R2294-18-5UK	5U NEW!	407mm x 456mm x 208mm / 16.02" x 17.95" x 8.19"	35kg/77.16lb
R2294-18-6UK	6U NEW!	407mm x 456mm x 252mm / 16.02" x 17.95" x 9.92"	38kg/83.78lb
R2294-18-7UK	7U NEW!	407mm x 456mm x 297mm / 16.02" x 17.95" x 11.69"	38kg/83.78lb
R2294-18-8UK	8U NEW!	407mm x 456mm x 341mm / 16.02" x 17.95" x 13.43"	38kg/83.78lb

Accessories

Part No.	Description	Weight
R1292-KEY	Barrel Lock and Key for rack drawers	30g/1.06oz
3232-SLAM-LOCK	Slam Latch for 2mm / 0.08" Panels	
R2292-RSB-KIT	Rear support kit for rack drawers	



Scan to Watch
Our Video
Or Visit:
youtu.be/uzaMZA7NYbA



Size (U)	H
2U	88.3 / 3.48"
3U	132.7 / 5.23"
4U	177.1 / 6.98"
5U	221.8 / 8.73"
6U	266.1 / 10.48"
7U	310.6 / 12.23"
8U	355.2 / 13.99"

Drawer	D
10"	286.5 / 11.28"
14"	386.5 / 15.22"
18"	486.5 / 19.15"

R2295 - Aluminium Rack Drawers *NEW!*

Lightweight Aluminium Rack Drawer with Steel Rack Ears. With Slam Lock, Key Latch and flush front.

Over **40% lighter** than a Steel Drawer

Optional Rear Support Brackets **R2292-RSB-KIT** (p.65) Available. Replacement Slam Latch available **3232-SLAM-LOCK** (p.65)

Material: Aluminium

Finish: Black

287mm / 10" Deep

Part No.	Size (U)	Internal Dimensions (W x D x H)	Recommended Load Capacity
R2295-10-2UK	2U	407mm x 256mm x 74mm / 16.02" x 10.08" x 2.91"	22kg/48.5lb
R2295-10-3UK	3U	407mm x 256mm x 119mm / 16.02" x 10.08" x 4.69"	26kg/57.32lb
R2295-10-4UK	4U	407mm x 256mm x 163mm / 16.02" x 10.08" x 6.42"	35kg/77.16lb
R2295-10-5UK	5U	407mm x 256mm x 208mm / 16.02" x 10.08" x 8.19"	35kg/77.16lb
R2295-10-6UK	6U	407mm x 256mm x 252mm / 16.02" x 10.08" x 9.92"	38kg/83.78lb

387mm / 14" Deep

Part No.	Size (U)	Internal Dimensions (W x D x H)	Recommended Load Capacity
R2295-2UK	2U	407mm x 356mm x 74mm / 16.02" x 14.02" x 2.91"	22kg/48.5lb
R2295-3UK	3U	407mm x 356mm x 119mm / 16.02" x 14.02" x 4.69"	26kg/57.32lb
R2295-4UK	4U	407mm x 356mm x 163mm / 16.02" x 14.02" x 6.42"	35kg/77.16lb
R2295-5UK	5U	407mm x 356mm x 208mm / 16.02" x 14.02" x 8.19"	35kg/77.16lb
R2295-6UK	6U	407mm x 356mm x 252mm / 16.02" x 14.02" x 9.92"	38kg/83.78lb
R2295-7UK	7U	407mm x 356mm x 297mm / 16.02" x 14.02" x 11.69"	38kg/83.78lb
R2295-8UK	8U	407mm x 356mm x 341mm / 16.02" x 14.02" x 13.43"	38kg/83.78lb

487mm / 18" Deep

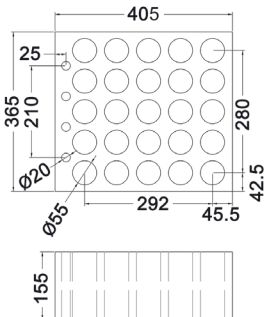
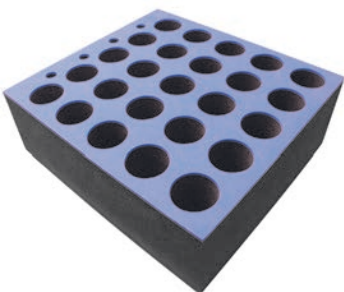
Part No.	Size (U)	Internal Dimensions (W x D x H)	Recommended Load Capacity
R2295-18-2UK	2U	407mm x 456mm x 74mm / 16.02" x 17.95" x 2.91"	22kg/48.5lb
R2295-18-3UK	3U	407mm x 456mm x 119mm / 16.02" x 17.95" x 4.69"	26kg/57.32lb
R2295-18-4UK	4U	407mm x 456mm x 163mm / 16.02" x 17.95" x 6.42"	35kg/77.16lb
R2295-18-5UK	5U	407mm x 456mm x 208mm / 16.02" x 17.95" x 8.19"	35kg/77.16lb
R2295-18-6UK	6U	407mm x 456mm x 252mm / 16.02" x 17.95" x 9.92"	38kg/83.78lb
R2295-18-7UK	7U	407mm x 456mm x 297mm / 16.02" x 17.95" x 11.69"	38kg/83.78lb
R2295-18-8UK	8U	407mm x 456mm x 341mm / 16.02" x 17.95" x 13.43"	38kg/83.78lb

Accessories

Part No.	Description	Weight
R1292-KEY	Barrel Lock and Key for rack drawers	30g/1.06oz
3232-SLAM-LOCK	Slam Latch for 2mm / 0.08" Panels	
R2292-RSB-KIT	Rear support kit for rack drawers	



Rack Drawers



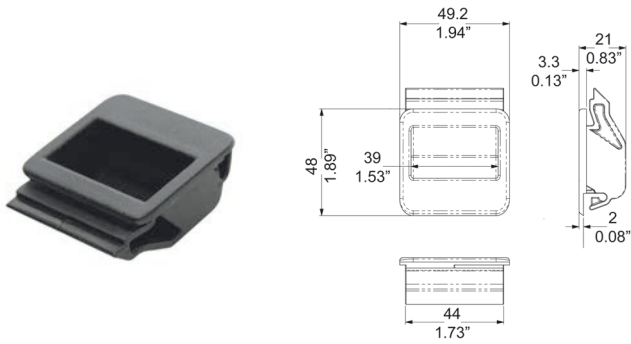
M6001

Microphone Insert for 25 Microphones. Fits into a 6U Rack Drawers. Block size: 405mm x 365mm x 155mm / 15.94" x 14.37" x 6.1" Hole size: Diameter: 55mm / 2.17" Depth: 155mm / 6.1"

Material: Foam

Part No.	Weight
M6001	0.4kg/0.88lb

R1292 SLAM - 3232 SLAM



Wide Slam Latches for 1.2mm / 0.05" or 2mm / 0.08" thick panels.
 R1292 SLAM Replacement part for R1292 - R1394 Rack Drawers
 3232 SLAM Replacement part for 3232LK - 3236LK Rack Drawers

Part No.	Finish	Description
R1292-SLAM	Black	Slam Latch for 1.2mm / 0.05" Panels
3232-SLAM-LOCK	Black	Slam Latch for 2mm / 0.08" Panels

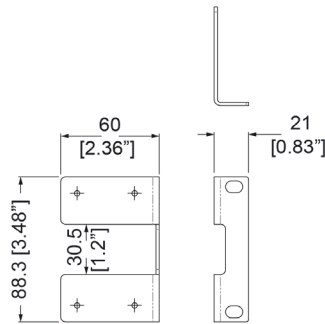
R1292 - KEY



Barrel Lock and Key for R129X Rack Drawers Series

Material: Steel

Part No.	Description	Weight
R1292-KEY	Barrel Lock and Key for rack drawers	30g/1.06oz

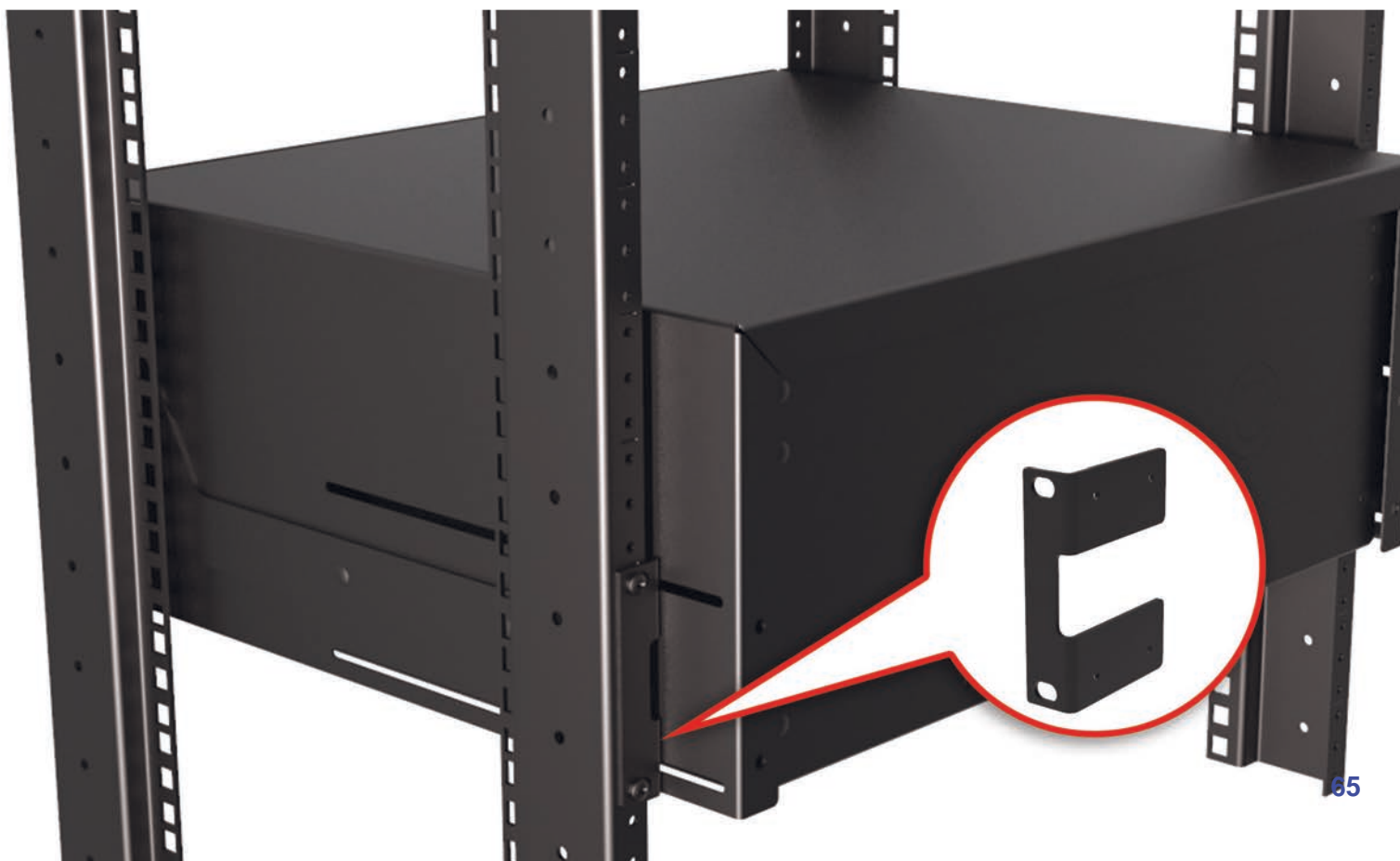


R2292-RSB-KIT

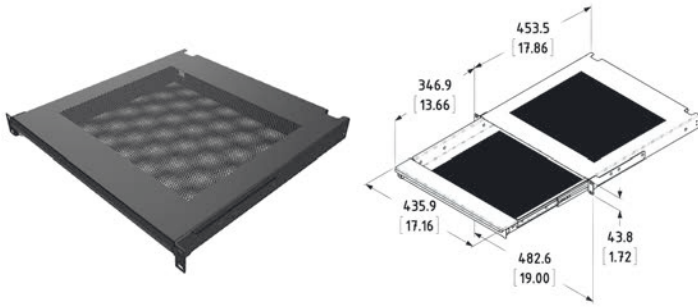
Rear support kit for R2293 Touring Grade Heavy Duty Rack Drawers and **R2294** (p.63) Aluminium Rack Drawers

- Comes with:
- 2 x Rear Support Bracket
 - 8 x M4 pozi Screws
 - 8 x M4 Washers

Part No.	Finish	Description
R2292-RSB-KIT	Black	Rear support kit for rack drawers



EX-6301 - 1U Laptop Drawer



19" Rack Mountable 1U Vented Laptop/Tablet Drawer with Foam Wrist-Pad for support and rear cable access.

Key lockable.

Inside Dimensions:

Width x Depth x Height = 338mm x 409mm x 40mm / 13.31" x 16.1" x 1.57"

Material: 1.2mm / 18 gauge Steel



Scan to Watch Our Video

Or Visit: youtu.be/GqaTUEIJz9k

Part No.	Finish	Description	Height (U)	Weight
EX-6301B	Black	19" Rack Laptop Drawer	1U	4.76kg/10.5lb

EX-6302 - 2U Laptop Drawer **NEW!**

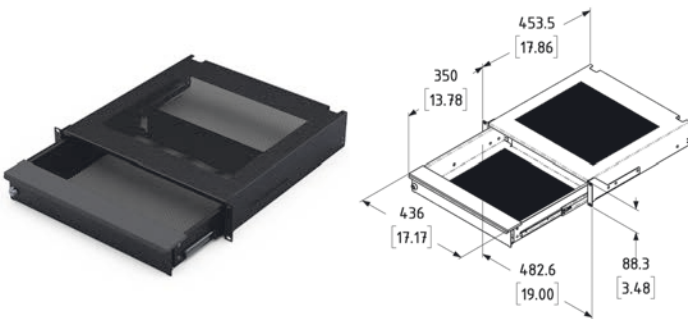
19" Rack Mountable 2U Vented Laptop/Tablet Drawer with Foam Wrist-Pad for support and rear cable access.

Key lockable.

Inside Dimensions:

Width x Depth x Height = 338mm x 409mm x 85mm / 13.31" x 16.1" x 3.35"

Material: 1.2mm / 18 gauge Steel



Part No.	Description	Height (U)
EX-6302	19" Rack Laptop Drawer	2U

R1291 - 1U Rack Drawer

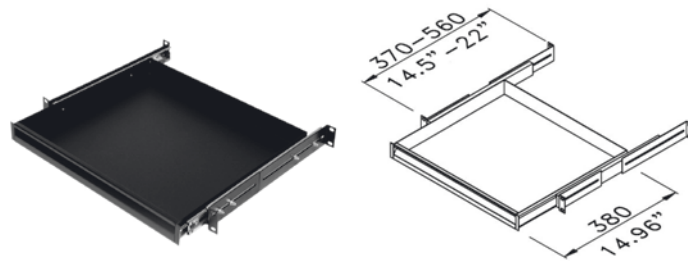
1U Rack Drawer.

Can be used upside down as a shelf

Inside Dimensions:

Width x Depth x Height = 415mm x 368mm x 41mm / 16.34" x 14.49" x 1.61"

Material: 1.2mm / 18 gauge Steel



Part No.	Finish	Load Capacity	Weight
R1291K	Black	19kg/41.89lb	3.3kg/7.27lb
R1291G	Grey (RAL7035)		

R1291K/2L - 1U Rack Drawer

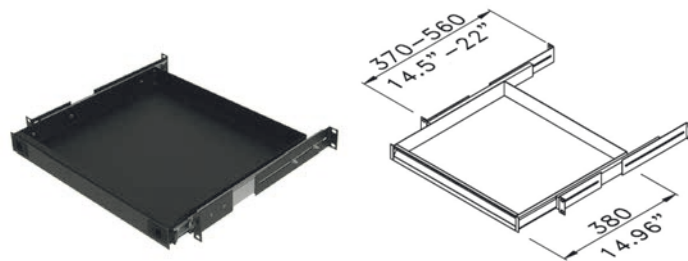
1U Rack Drawer with 2 Slam Locks.

Can be used upside down as a shelf.

Inside Dimensions:

Width x Depth x Height = 415mm x 364mm x 41mm / 16.34" x 14.33" x 1.61"

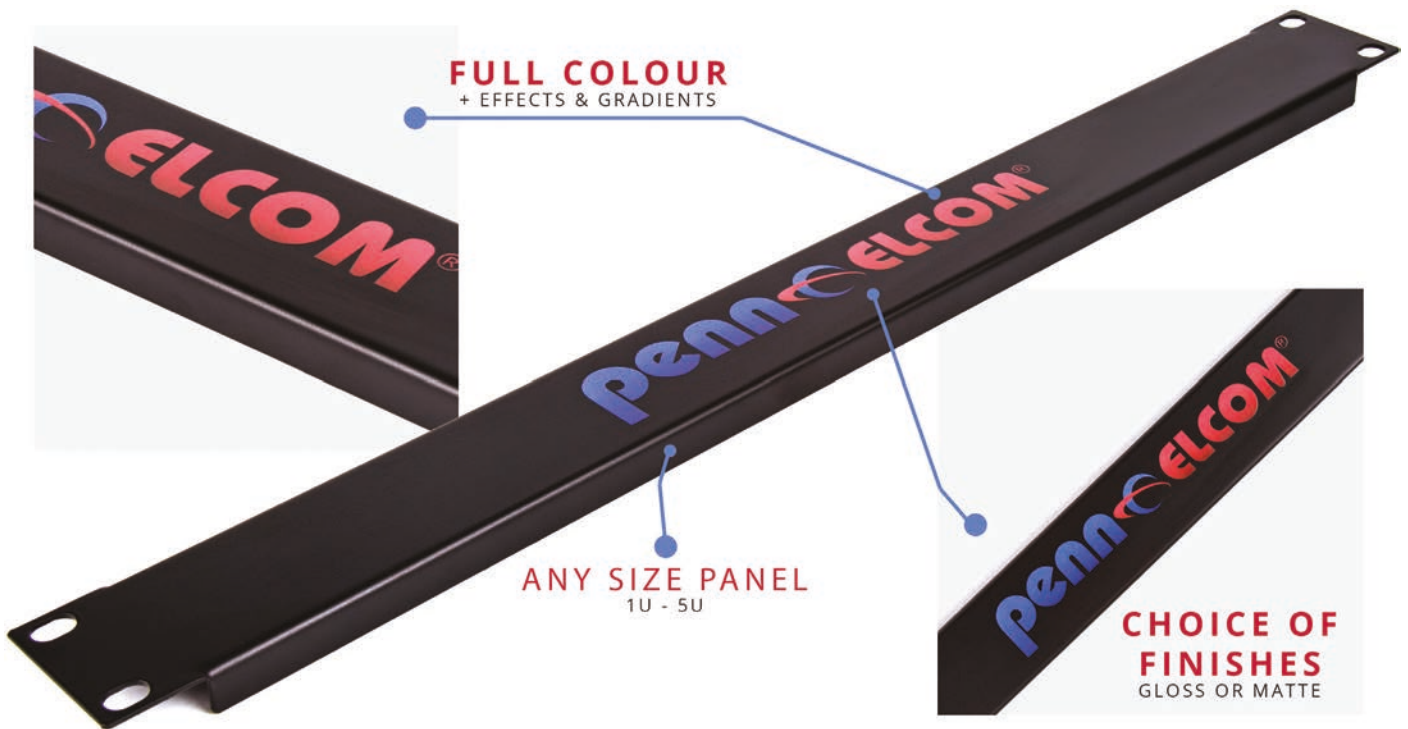
Material: 1.2mm / 18 gauge Steel



Part No.	Load Capacity	Weight
R1291K/2L	19kg/41.89lb	3.18kg/7lb

CUSTOM RACK PANELS UV PRINTING

Penn Elcom's UV printing service offers AV integrators, flight case builders, home media installers and rack builders the option to fully customise hardware like 19-inch panels, riveted prestige badges, stage boxes or patch systems.



With photo quality results, even ultra hi-res art is printed directly to the surface without loss of detail. Company logos can even be embellished with textured prints - raised, embossed, matte and gloss effects are all possible.



Thanks to the durability of UV printing finished images are incredibly hard, resisting abrasion and damage for the life of the panel. This means no more frequently replacing outdoor or hard-wearing panels.



SCRATCH-RESISTANT
AND DURABLE



PHOTO-QUALITY
RESULTS



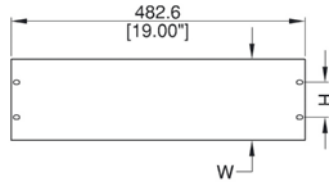
TEXTURED FINISHES
AVAILABLE



FAST
TURNAROUND

SHOP: PennElcomOnline.com
CATALOGUE: Penn-Elcom.com

penn-elcom[®]



PANEL	W	H
1U	44.4 / 1.75"	31.75 / 1.25"
2U	88.9 / 3.50"	76.20 / 3.00"
3U	133.4 / 5.25"	57.15 / 2.25"
4U	177.8 / 7.00"	101.60 / 4.00"

Flat Rack Panels

Flat Rack Panels.
Can be custom punched to your specification.



Scan to Watch
Our Video

Or Visit:
youtu.be/jara76ctk40

Material: Steel

1.5mm / 1/16" Steel Rack Panels

Part No.	Finish	Description	Weight
R1385/1UK	Black	1U	0.24kg/0.53lb
R1385/1UG	Grey		
R1385/2UK	Black	2U	0.48kg/1.06lb
R1385/2UG	Grey		
R1385/3UK	Black	3U	0.78kg/1.72lb
R1385/3UG	Grey		
R1385/4UK	Black	4U	1.08kg/2.38lb
R1385/4UG	Grey		

2.0mm / 0.08" Steel Rack Panels

Part No.	Finish	Description	Weight
R1285/1UK	Black	1U	0.32kg/0.71lb
R1285/1UG	Grey		
R1285/2UK	Black	2U	0.64kg/1.42lb
R1285/2UG	Grey		
R1285/3UK	Black	3U	1.04kg/2.3lb
R1285/3UG	Grey		
R1285/4UK	Black	4U	1.32kg/2.91lb
R1285/4UG	Grey		

3.0mm / 1/8" Aluminium Rack Panels

Part No.	Finish	Description	Weight
R1275/05UK	Black	0.5U	90g/3.17oz
R1275/1UK	Black	1U	0.18kg/0.4lb
R1275/2UK	Black	2U	0.35kg/0.77lb
R1275/3UK	Black	3U	0.49kg/1.08lb
R1275/4UK	Black	4U	0.72kg/1.58lb
R1275/5UK	Black	5U	0.87kg/1.92lb
R1275/6UK	Black	6U	1.06kg/2.34lb

Laser Etched Rack Panels



Scan to Watch



Our Video

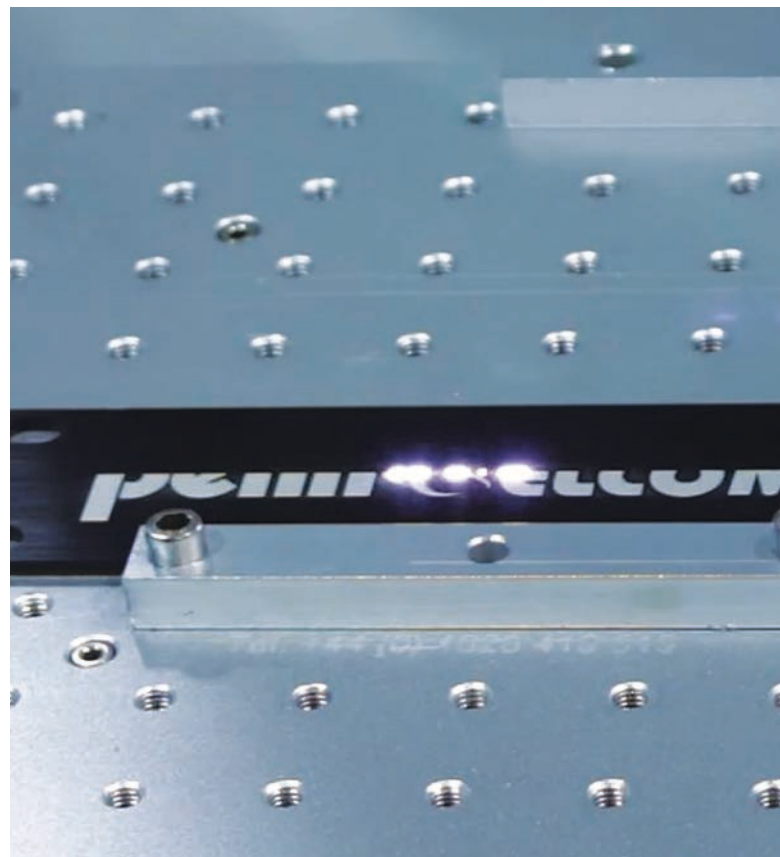
Or Visit:

youtu.be/P-8vwYkm5e8

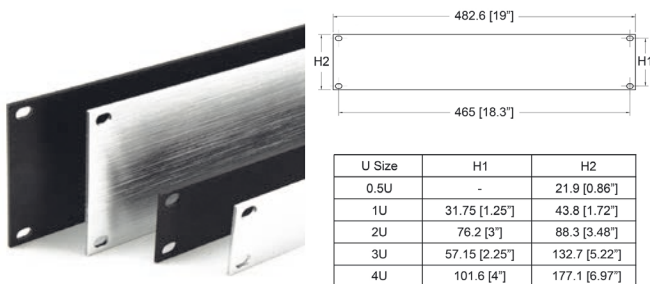
Penn Elcom anodised black or silver aluminium panels can be customised by removing the anodizing with a laser, leaving a brilliant silver aluminium finish.

This process can also be done on raw materials and standard steel panels. Lead time: 7-10 days. Minimum order quantity: 10 units.

Part No.	Finish	Size (U)	Weight
R1275/1UAKLAZ	Black	1U	0.18kg/0.4lb
R1275/1UASLAZ	Silver	1U	0.18kg/0.4lb

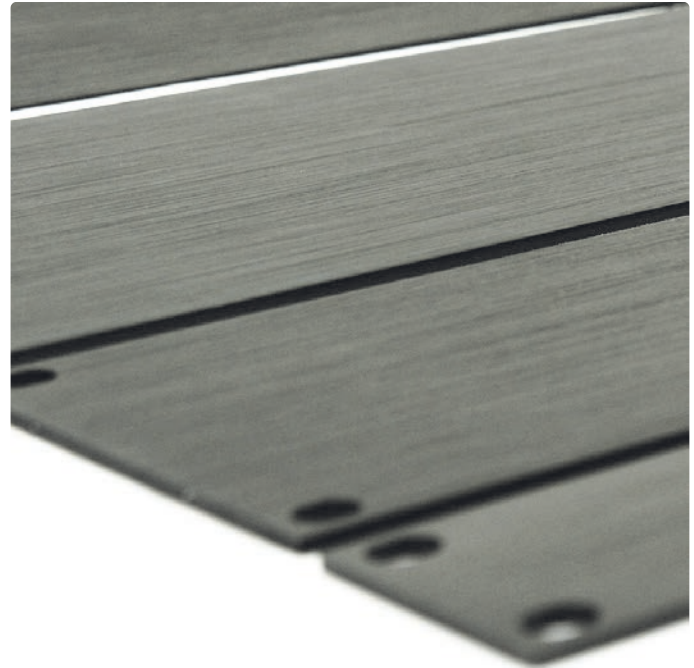


Brushed Anodised - Aluminium Panels



Scan to Watch Our Video

Or Visit:
youtu.be/ZVN4K_3RH9c



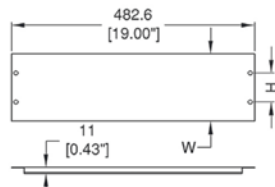
Add some texture to your Rack Cabinets with these stylish brushed Anodised Aluminium Rack Panels.

The lightweight aluminium allows you to reduce the overall weight of your installation.

Can be custom punched to your specification.

Material: 3mm / 1/8" Aluminium

Part No.	Finish	U Size	Description	Weight
R1275/1UAK	Black	1U	Brushed Anodised	0.18kg/0.4lb
R1275/1UAS	Silver			
R1275/2UAK	Black	2U	Brushed Anodised	0.35kg/0.77lb
R1275/2UAS	Silver			
R1275/3UAK	Black	3U	Brushed Anodised	0.49kg/1.08lb
R1275/4UAK	Black	4U	Brushed Anodised	0.72kg/1.58lb
R1275/4UAS	Silver			



PANEL	W	H
1/2U	22.2 / 0.87"	-
1U	44.4 / 1.75"	31.75 / 1.25"
2U	88.9 / 3.50"	76.20 / 3.00"
3U	133.4 / 5.25"	57.15 / 2.25"
4U	177.8 / 7.00"	101.60 / 4.00"
5U	222.2 / 8.75"	82.55 / 3.25"
6U	266.6 / 10.5"	127.00 / 5.00"

Flanged Rack Panels

Flanged Rack Panels

Can be custom punched to your specification.



Scan to Watch Our Video

Or Visit:
youtu.be/EiQZs3tpAfY

Material: Steel

1.2mm / 0.05" Steel Rack Panels

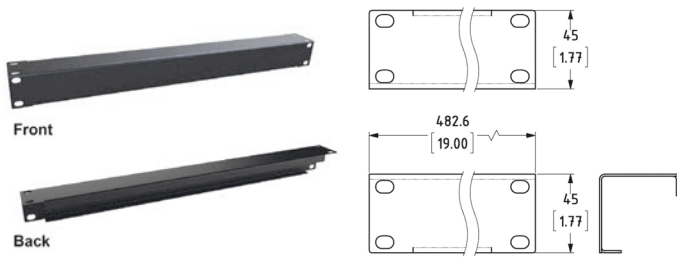
Part No.	Finish	Size (U)	Weight
R1268/05UK	Black	1/2U	0.2kg/0.44lb
R1268/05UG	Grey		
R1268/1UK	Black	1U	0.27kg/0.6lb
R1268/1UG	Grey		
R1268/2UK	Black	2U	0.49kg/1.08lb
R1268/2UG	Grey		
R1268/3UK	Black	3U	0.68kg/1.49lb
R1268/3UG	Grey		
R1268/4UK	Black	4U	0.9kg/1.99lb
R1268/4UG	Grey		
R1268/5UK	Black	5U	1.08kg/2.39lb
R1268/5UG	Grey		
R1268/6UK	Black	6U	1.28kg/2.83lb
R1268/6UG	Grey		

1.8mm / 0.07" Aluminium Rack Panels

Part No.	Finish	Size (U)	Weight
R1267/1UK	Black	1U	0.14kg/0.31lb
R1267/2UK	Black	2U	0.24kg/0.53lb
R1267/3UK	Black	3U	0.43kg/0.95lb

70 - Corner Rack Panels

R1268KB - Corner Rack Panels

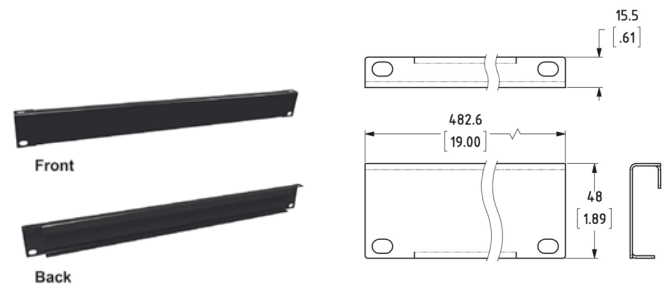


1U Corner Rack Panels

Material: 1.2mm / 18 gauge Steel

Part No.	Finish	Description	Weight
R1268KB	Black	1U Corner Panels	0.9kg/1.99lb

R1268/860 - L-Shaped Corner Rack Panels



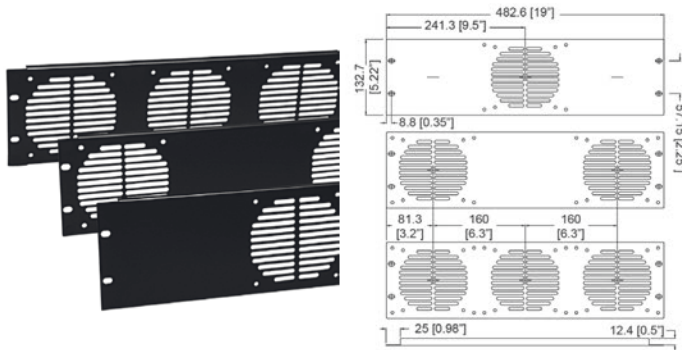
L-Shaped Corner Rack Panels for use with **R0863** (p.41) Rack Strip.

Material: 1.2mm / 18 gauge Steel

Part No.	Finish	Description	Weight
R1268/860K	Black	L-Shaped Corner Panels	0.51kg/1.13lb

Perforated Rack Panels

R1268/3U F1-F3 - Fan Panels

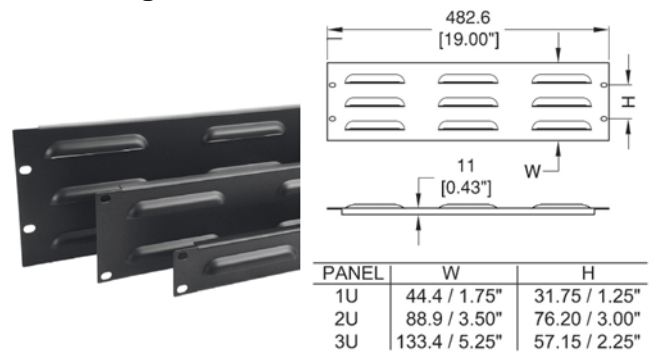


3U Rack Fan Panels
With Fixing Holes for **P1800** (p.108) and **8700** (p.108) Fans

Material: Steel

Part No.	Finish	Fan Holes	Size (U)	Weight
R1268/3UK/F1	Black	1 Fan Holes	3U	0.63kg/1.4lb
R1268/3UK/F2	Black	2 Fan Holes	3U	0.58kg/1.27lb
R1268/3UK/F3	Black	3 Fan Holes	3U	0.53kg/1.17lb

R1268V - Flanged Louvered Rack Panels



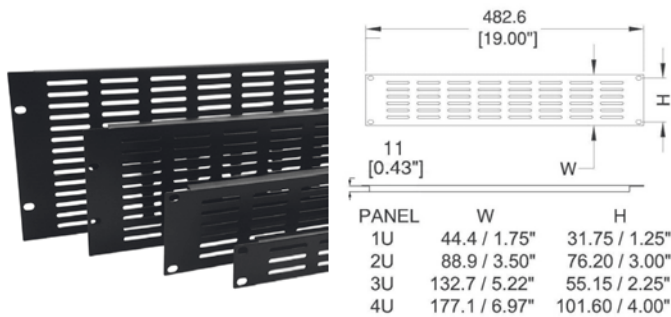
Flanged Louvered Rack Panels

Material: 1.2mm / 18 gauge Steel

Part No.	Finish	Size (U)	Weight
R1268/1UVK	Black	1U	0.29kg/0.64lb
R1268/2UVK	Black	2U	0.51kg/1.13lb
R1268/3UVK	Black	3U	0.74kg/1.62lb

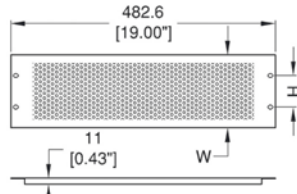
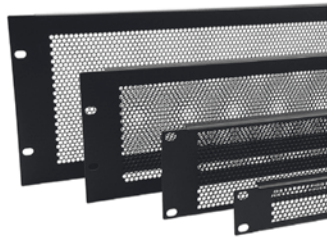
R1279 - Flanged Vented Rack Panels

Flanged Vented Rack Panels



Material: 1.2mm / 18 gauge Steel

Part No.	Finish	Size (U)	Weight
R1279/1UK	Black	1U	0.27kg/0.59lb
R1279/2UK	Black	2U	0.41kg/0.9lb
R1279/3UK	Black	3U	0.62kg/1.36lb
R1279/4UK	Black	4U	0.82kg/1.81lb



PANEL	W	H
1/2U	22.2 / 0.87"	-
1U	44.4 / 1.75"	31.75 / 1.25"
2U	88.9 / 3.50"	76.20 / 3.00"
3U	133.4 / 5.25"	57.15 / 2.25"
4U	177.8 / 7.00"	101.60 / 4.00"

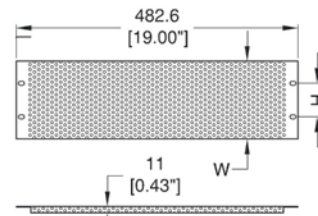
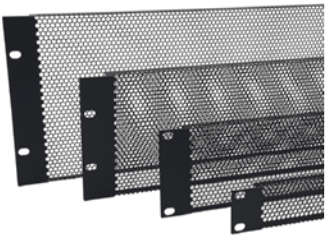
R1286V - Flanged Perforated Rack Panels

Flanged Perforated Steel Rack Panels.
Allow for 62% free air.

Material: 1.2mm / 18 gauge Steel

Part No.	Finish	Size (U)	Weight
R1286/05UVK R1286/05UVG	Black Grey	1/2U	0.14kg/0.31lb
R1286/1UVK R1286/1UVG	Black Grey	1U	0.23kg/0.5lb
R1286/2UVK R1286/2UVG	Black Grey	2U	0.35kg/0.76lb
R1286/3UVK R1286/3UVG	Black Grey	3U	0.48kg/1.05lb
R1286/4UVK R1286/4UVG	Black Grey	4U	0.6kg/1.31lb

R1289V - Flanged Perforated Rack Panels



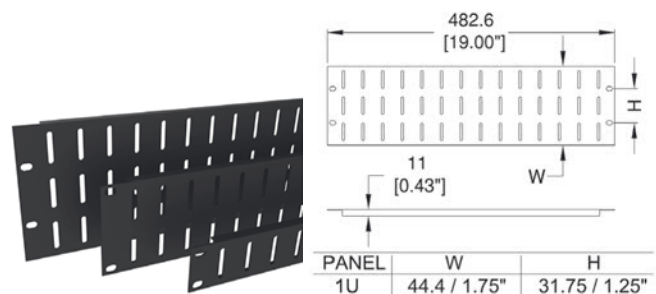
PANEL	W	H
1U	44.4 / 1.75"	31.75 / 1.25"
2U	88.9 / 3.50"	76.20 / 3.00"
3U	133.4 / 5.25"	57.15 / 2.25"

Flanged Perforated Rack Panels.
Allow for 62% free air.

Material: 1.2mm / 18 gauge Steel

Part No.	Finish	Size (U)	Weight
R1289/1UVK	Black	1U	0.22kg/0.49lb
R1289/2UVK	Black	2U	0.35kg/0.77lb
R1289/3UVK	Black	3U	0.48kg/1.06lb
R1289/4UVK	Black	4U	0.48kg/1.06lb

R1267/xUVK - Flanged Aluminium Vented Rack Panels



PANEL	W	H
1U	44.4 / 1.75"	31.75 / 1.25"
2U	88.9 / 3.50"	76.20 / 3.00"
3U	133.4 / 5.25"	57.15 / 2.25"

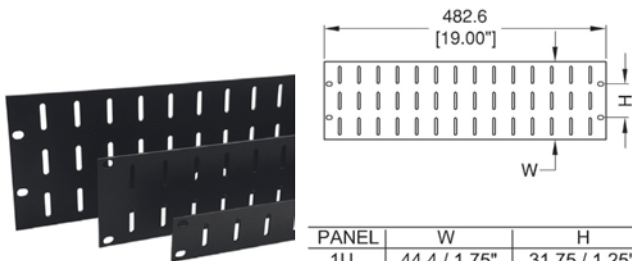
Flanged Aluminium Vented Rack Panels

Material: 1.8mm / 0.07" Aluminium

Part No.	Finish	Description	Weight
R1267/1UVK	Black	1U	0.13kg/0.3lb
R1267/2UVK	Black	2U	0.22kg/0.48lb
R1267/3UVK	Black	3U	0.4kg/0.88lb

R1275V - Flat Aluminium Vented Rack Panels

Flat Aluminium Vented Rack Panels



PANEL	W	H
1U	44.4 / 1.75"	31.75 / 1.25"
2U	88.9 / 3.50"	76.20 / 3.00"
3U	133.4 / 5.25"	57.15 / 2.25"

Material: 3.0mm / 1/8" Aluminium

Part No.	Finish	Size (U)	Weight
R1275/1UVK	Black	1U	0.16kg/0.35lb
R1275/2UVK	Black	2U	0.31kg/0.69lb
R1275/3UVK	Black	3U	0.45kg/1lb

Design and order your own bespoke rack panels

PANEL DESIGNER



At Penn Elcom, we like to think a custom panel makes a great addition to any rack. Whether it's functional with bespoke cut-outs that are just right for the job, or it's an elegant header that shows off your logo - **there's always a good reason to design your own panel.**



Penn Elcom is changing all that...

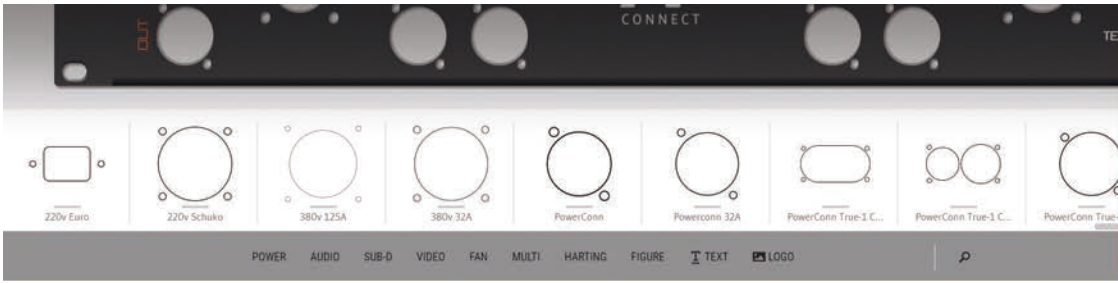
With only twenty minutes and an internet connection you could design and order your dream panel just by visiting pennelcomonline.com

Introducing Penn Elcom Panel Designer: a revolutionary drag and drop browser application that allows absolutely anyone to easily design and order high quality custom 19-inch panels, whether you need one or one hundred.



DESIGN
ONLINE
FOR FREE

Simply select a panel size from 1U to 6U, browse a selection of connector sizes handily arranged by category, drag into place, add text or labels and upload logos or graphics.



ACCURATE CUT-OUTS

to fit a large range of connectors and products across audio, video, power, temperature management and more

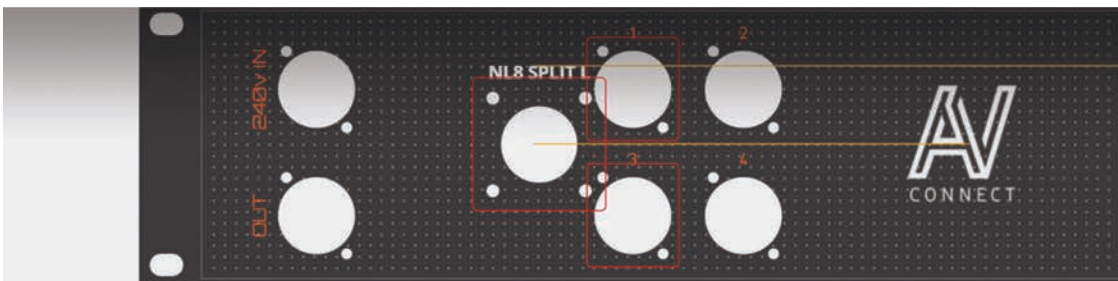
DRAG & DROP
unique and intuitive functionality for quick and easy designing



CUSTOMISABLE

select from a range of fonts and colours

ADD YOUR LOGO
easily upload your colour logo, images or branding



GUIDANCE

cut-outs snap into place whilst allowing space for connectors and smart guides notify of any errors and help with alignment

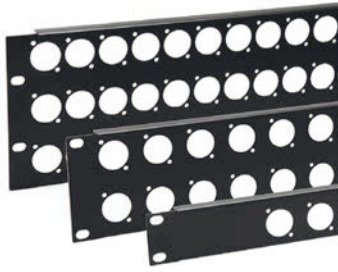
Once your panel is ready, simply place the order and your design moves straight into production. We'll email you when it's ready and ship your order to all our regular destinations with a speedy service.



SHOP: PennElcomOnline.com
CATALOGUE: Penn-Elcom.com



Scan to Watch
Our Video
Or Visit:
youtu.be/cUle58CfKJM



R1269 - Punched for D-Series Connectors

Rack Panels punched for Neutrik D-Series Connectors (XLR, Speakon, RJ45, etc.)



Scan to Watch
Our Video

Or Visit:
youtu.be/w0rINvh_SUw

Material: 1.2mm / 18 gauge Steel

1U

Part No.	Finish	Connectors	U size	Weight
R1269/1UK/04	Black	4 x D-Series	1U	0.24kg/0.54lb
R1269/1UK/06	Black	6 x D-Series	1U	0.24kg/0.54lb
R1269/1UK/08	Black	8 x D-Series	1U	0.24kg/0.54lb
R1269/1UK/12	Black	12 x D-Series	1U	0.23kg/0.51lb
R1269/1UK/16	Black	16 x D-Series	1U	0.21kg/0.46lb
R1269ID/1UK/16	Black	16 x D-Series -with ID Strip	1U	0.21kg/0.46lb

2U

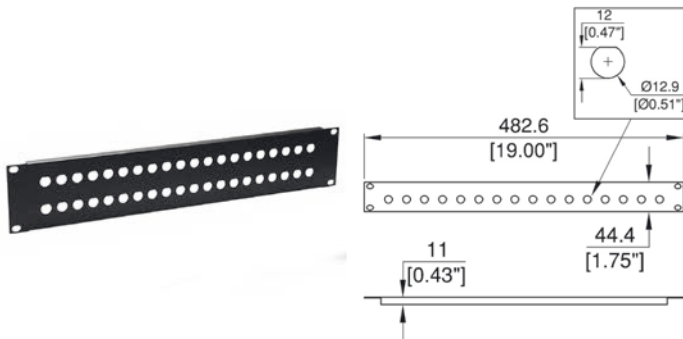
Part No.	Finish	Connectors	U size	Weight
R1269/2UK/16	Black	16 x D-Series	2U	0.42kg/0.93lb
R1269/2UK/24	Black	24 x D-Series	2U	0.4kg/0.88lb
R1269/2UK/32	Black	32 x D-Series	2U	0.36kg/0.81lb

3U

Part No.	Finish	Connectors	U size	Weight
R1269/3UK/24	Black	24 x D-Series	3U	0.59kg/1.31lb
R1269/3UK/36	Black	36 x D-Series	3U	0.52kg/1.16lb
R1269/3UK/48	Black	48 x D-Series	3U	0.47kg/1.04lb

R1280 - Punched for BNC Connectors

19" Rack Panels punched for BNC Video Connectors with flat bottom hole.



Material: 1.2mm / 18 gauge Steel

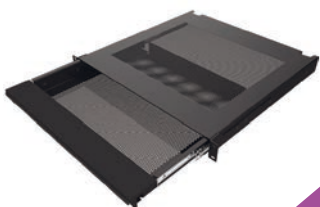
1U

Part No.	Finish	Description	Weight
R1280/1UK/16	Black	16 x BNC	0.28kg/0.62lb
R1280/1UK/20	Black	20 x BNC	0.27kg/0.61lb
R1280/1UK/24	Black	24 x BNC	0.26kg/0.57lb

2U

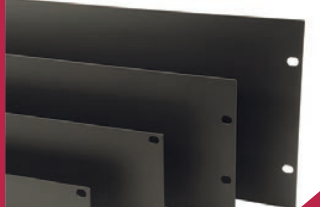
Part No.	Finish	Description	Weight
R1280/2UK/40	Black	40 x BNC	0.41kg/0.91lb
R1280/2UK/48	Black	48 x BNC	0.4kg/0.88lb

LAPTOP DRAWERS



p. 66

PLAIN PANELS



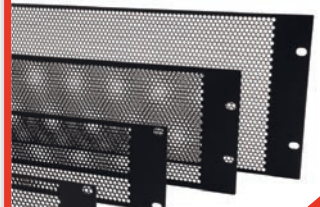
p. 67

CORNER PANELS



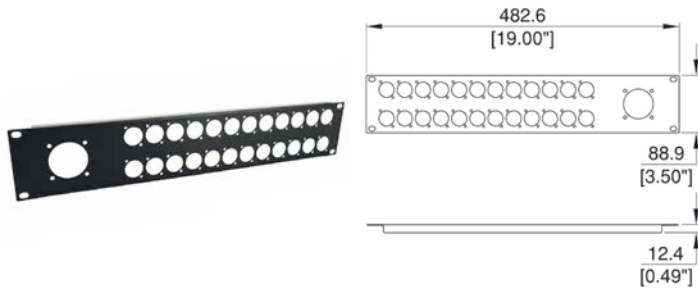
p. 70

PERFORATED PANELS



p. 70

R1269/2UK/24-1 - D-Series + Socapex

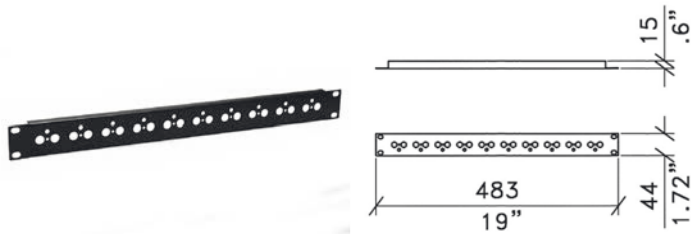


2U Panel punched for 24 x Neutrik D-Series Connectors (XLR, Speakon, RJ45, etc.) and 1 x Socapex.

Material: 1.2mm / 18 gauge Steel

Part No.	Finish	U Size	Weight
R1269/2UK/24-1	Black	2U	0.4kg/0.88lb

R1277/1U - Punched for BNC Rack Connectors

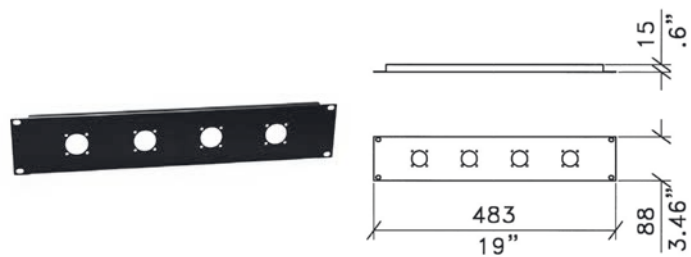


1U Rack Panel punched for Chassis BNC Connectors. Black Powder Coated.

Material: 1.2mm / 18 gauge Steel

Part No.	Finish	U Size	Weight
R1277/1UK	Black	1U	0.28kg/0.63lb

R1204/2U - G-Series

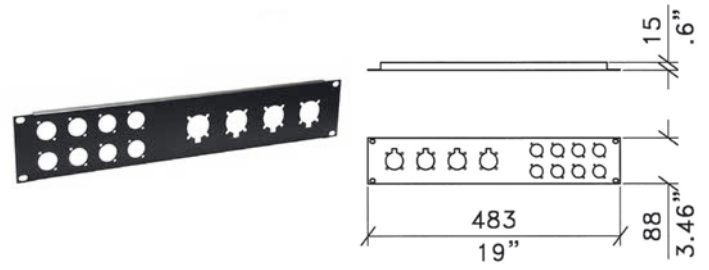


2U Rack Panel punched for 4 x Neutrik G-Series Speakon Connectors.

Material: 1.2mm / 18 gauge Steel

Part No.	Finish	U Size	Weight
R1204/2UK	Black	2U	0.48kg/1.06lb

R1273/2U - D-Series + EP Series/G-Series



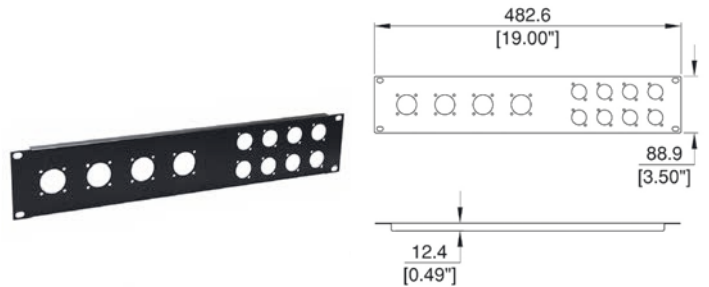
2U Panel punched for 4 x EP Series/Neutrik G-Series Speakon Connectors* and 8 x Neutrik D-Series Connectors (XLR, Speakon, RJ45, etc.)

* Recommend using Neutrik **SCNLT** (p.135) Gasket if fitting NLT4MP

Material: 1.2mm / 18 gauge Steel

Part No.	Finish	U Size	Weight
R1273/2UK	Black	2U	0.41kg/0.9lb

R1273MPR/2U - D-Series + G-Series

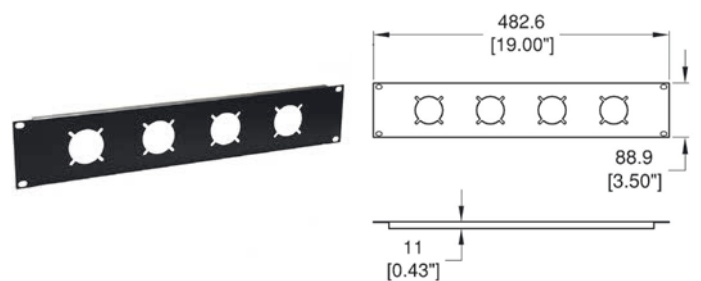


2U Rack Panel punched for 4 x Neutrik G-Series Speakon Connectors and 8 x Neutrik D-Series Connectors (XLR, Speakon, RJ45, etc.)

Material: 1.2mm / 18 gauge Steel

Part No.	Finish	U Size	Weight
R1273MPR/2UK	Black	2U	0.39kg/0.87lb

R1274 - Socapex / Syntax

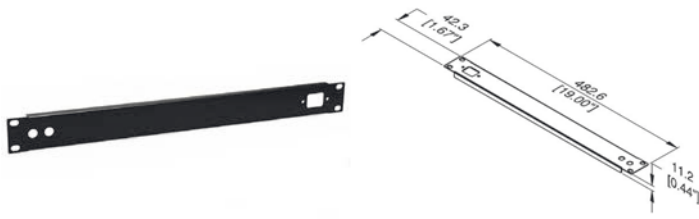


2U Rack Panel punched for Socapex, Syntax SSX / LK and Syntax 37 Multipin.

Material: 1.2mm / 18 gauge Steel

Part No.	Finish	U Size	Weight
R1274	Black	2U	0.41kg/0.9lb

R1283 - Jacks + IEC Power

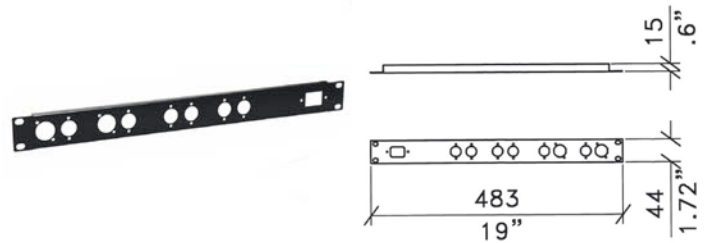


1U Rack Panel punched with 2 Jacks & 1 IEC Power Inlet Connector.

Material: 1.2mm / 18 gauge Steel

Part No.	Finish	U Size	Weight
R1283	Black	1U	0.27kg/0.6lb

R1271 - Electrical Connectors + 1 IEC Power Inlet

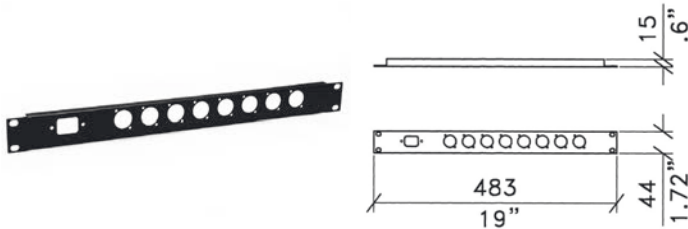


1U Rack Panel pre-punched for 2 Female and 6 Male Standard Electrical Connectors, and 1 IEC Power Inlet Connector. Black Powder Coated.

Material: 1.2mm / 18 gauge Steel

Part No.	Finish	U Size	Weight
R1271	Black	1U	0.24kg/0.54lb

R1282 - D-Series + IEC Power Inlet

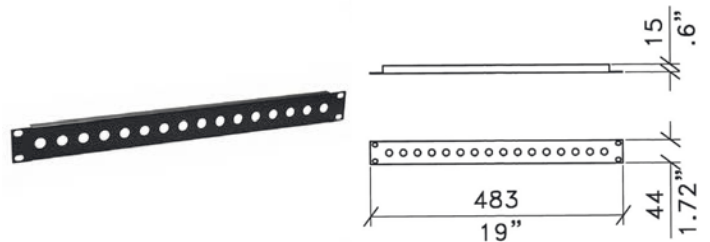


1U Rack Panel punched for 8 x Neutrik D-Series Connectors (XLR, Speakon, RJ45, etc.) and 1 x IEC Power Inlet Connector. Black Powder Coated.

Material: 1.2mm / 18 gauge Steel

Part No.	Finish	U Size	Weight
R1282	Black	1U	0.24kg/0.52lb

R1278/1U - Punched for Jacks

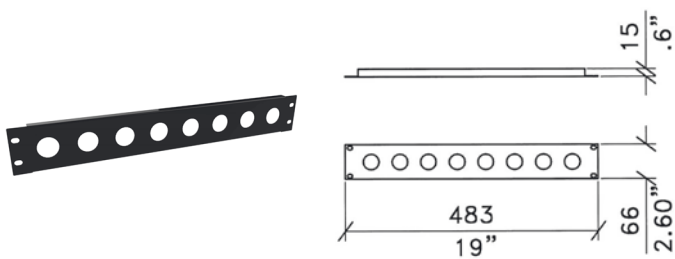


1U Rack Panel punched for 16 Jacks. Black Powder Coated.

Material: 1.2mm / 18 gauge Steel

Part No.	Finish	U Size	Weight
R1278/1UK	Black	1U	0.25kg/0.56lb

R1276 - For Electrical Distribution

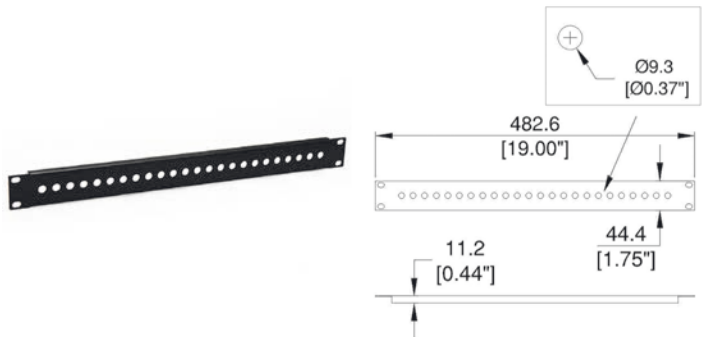


1.5U Rack Panel, center punched. 8 x 29.8mm / 1.17" Holes for Electrical Distribution. Black Powder Coated.

Material: 1.2mm / 18 gauge Steel

Part No.	Finish	Size (U)	Weight
R1276	Black	1.5U	0.33kg/0.74lb

R1312/1UK - For F Couplers

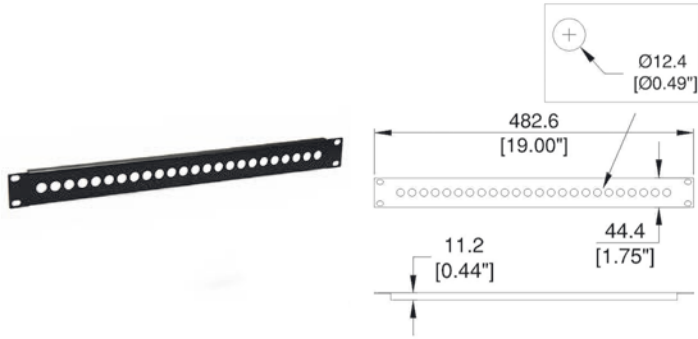


1U Patch Panel for 24 F Couplers

Material: Steel

Part No.	Finish	U Size	Weight
R1312/1UK	Black	1U	0.39kg/0.86lb

R1313/1UK - For 4mm Binding Post

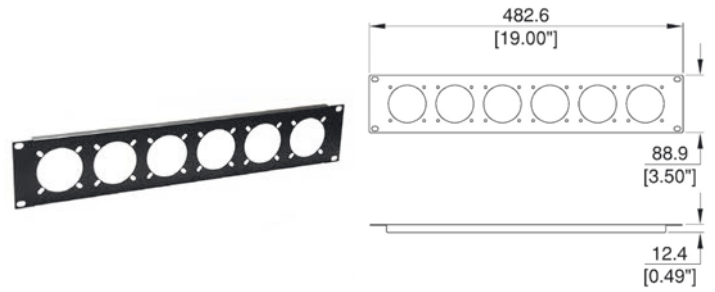


1U Patch Panel for 24 4mm Binding Post

Material: Steel

Part No.	Finish	U Size	Weight
R1313/1UK	Black	1U	0.37kg/0.81lb

R1268/2UK-721 - For 16A Connectors



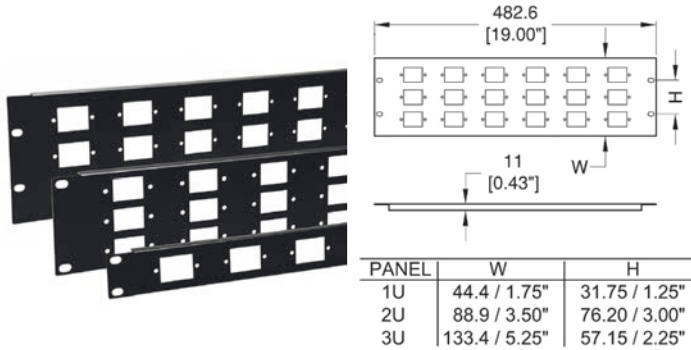
2U Rack Panel punched for 6 x 16A Connectors
Black Powder Coated.

Material: 1.2mm / 18 gauge Steel

Part No.	Finish	U Size	Weight
R1268/2UK-721	Black	2U	0.42kg/0.93lb

R1268 1U-3U 718-719 - IEC Rack Panel

Rack Panels punched for IEC Connectors.
Black Powder Coated.



Material: 1.2mm / 18 gauge Steel

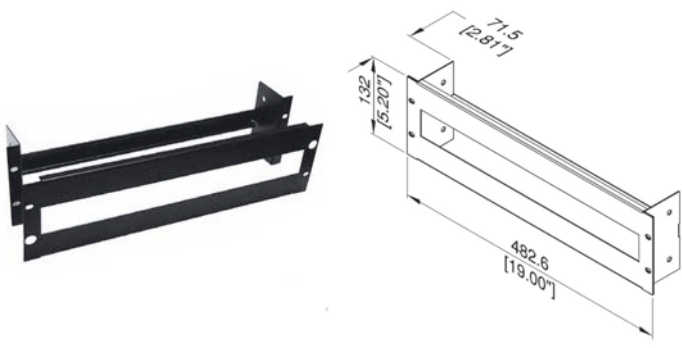
Part No.	Description	Size (U)	Weight
R1268/1UK/719	For 6 x IEC Female	1U	0.27kg/0.6lb
R1268/2UK/718	For 18 x IEC Male	2U	0.49kg/1.08lb
R1268/3UK/719	For 18 x IEC Female	3U	0.68kg/1.49lb

R2299/3UK

3U Rack Panel for DIN Rail.
Black, with Zinc Plated Rail.



Part No.	Description	Weight
R2299/3UK-KIT	Front Panel with DIN Rail	
R2299-RAIL	DIN Rail	
R1299/3UK	Front Panel Only	0.62kg/1.36lb



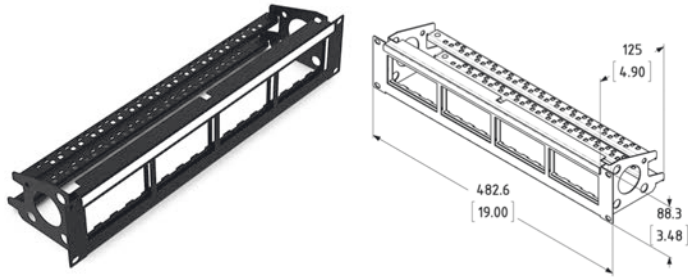
R1299/3UK

3U Rack Panel for DIN Rack Rail.
Superseded by **R2299/3UK** (p.77)

Material: 1.5mm / 16 gauge Steel

Part No.	Description	Weight
R1299/3UK-KIT	Front Panel with DIN Rail	1.17kg/2.58lb
R1299-RAIL	DIN Rail	0.6kg/1.32lb
R1299/3UK	Front Panel Only	0.62kg/1.36lb

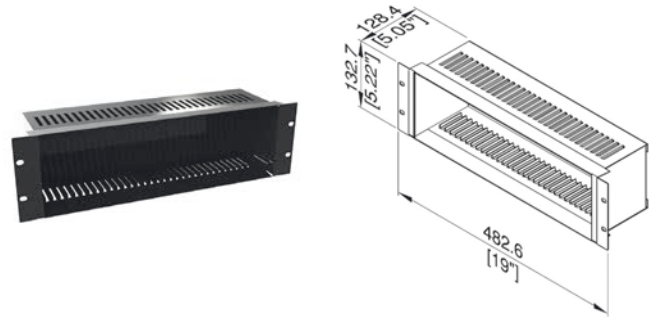
R2248-2UK



2U Rack Panel for 16 Euro Modules

Part No.	Finish	Description	Weight
R2248-2UK	Black	With Cable Management	1.14kg/2.51lb
R1248-2UK	Black	Panel only	

R1503/CD

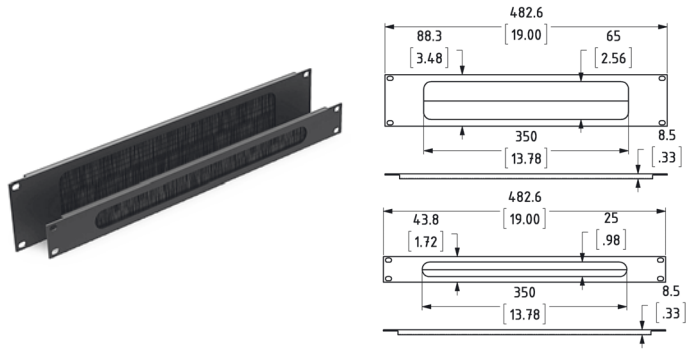


3U Rack Mount CD Storage Box.

Material: Steel

Part No.	Description	Weight
R1503/CD	3U Rack Mount CD Storage Box	1.56kg/3.44lb

R1268 1U-2U PBS



Rack Panel with Cable Access Slot and Brushes.
New and improved design with extruded aluminum body.

Material: Aluminium

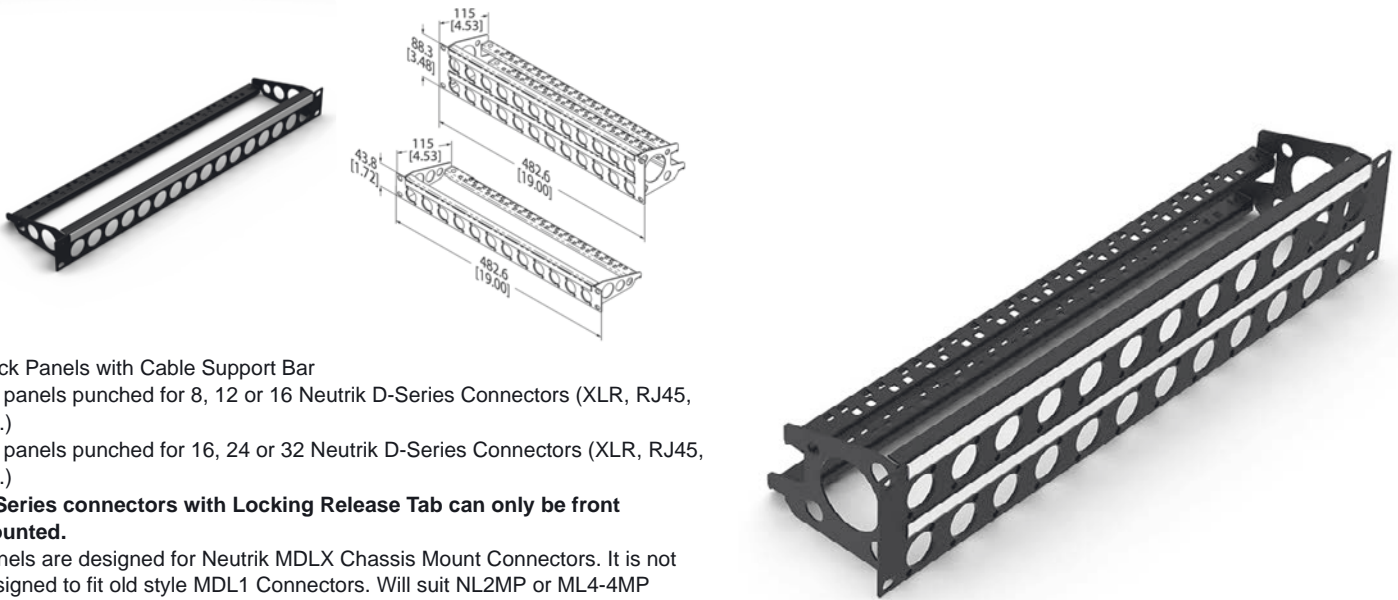
Part No.	Finish	Size (U)	Weight
R1268/1UK-PBS	Black	1U	0.22kg/0.5lb
R1268/1UG-PBS	Grey		
R1268/2UK-PBS	Black	2U	0.29kg/0.63lb
R1268/2UG-PBS	Grey		



Scan to Watch
Our Video

Or Visit:
youtu.be/MGGuCF7NgQ4

R2269 - D-Series Connectors



Rack Panels with Cable Support Bar

1U panels punched for 8, 12 or 16 Neutrik D-Series Connectors (XLR, RJ45, etc.)

2U panels punched for 16, 24 or 32 Neutrik D-Series Connectors (XLR, RJ45, etc.)

D-Series connectors with Locking Release Tab can only be front mounted.

Panels are designed for Neutrik MDLX Chassis Mount Connectors. It is not designed to fit old style MDL1 Connectors. Will suit NL2MP or ML4-4MP Speakon Connectors, but only in front mounted applications.

Black Powder Coated.

Material: Steel

1U

Part No.	Finish	Description	Size (U)	Weight
R2269/1UK-08	Black	8 Holes	1U	0.59kg/1.29lb
R2269/1UK-12	Black	12 Holes	1U	0.56kg/1.24lb
R2269/1UK-16	Black	16 Holes	1U	0.55kg/1.21lb

2U

Part No.	Finish	Description	Size (U)	Weight
R2269-2UK-16	Black	16 Holes	2U	1.24kg/2.73lb
R2269-2UK-24	Black	24 Holes	2U	1.09kg/2.4lb
R2269-2UK-32	Black	32 Holes	2U	1.03kg/2.28lb

R2280 - BNC Connectors

Rack Panels with Cable Support Bar

1U Panels punched for 16, 20 or 24 BNC Video Connectors with flat bottom hole.

2U Panels Punched for 32, 40 or 48 BNC Video Connectors with flat bottom hole.

Black Powder Coated.



Material: Steel

1U

Part No.	Finish	Description	Size (U)	Weight
R2280-1U-16	Black	16 Holes	1U	0.67kg/1.47lb
R2280-1U-20	Black	20 Holes	1U	0.65kg/1.44lb
R2280-1U-24	Black	24 Holes	1U	0.65kg/1.43lb

2U

Part No.	Finish	Description	Size (U)	Weight
R2280-2UK-32	Black	32 Holes	2U	1.26kg/2.77lb
R2280-2UK-40	Black	40 Holes	2U	1.2kg/2.66lb
R2280-2UK-48	Black	48 Holes	2U	1.15kg/2.54lb

Punched Panels with Cable Support Bar

Punched rack panels with integrated cable support bar.

The panel has a lacing bar for cable support and cable management.

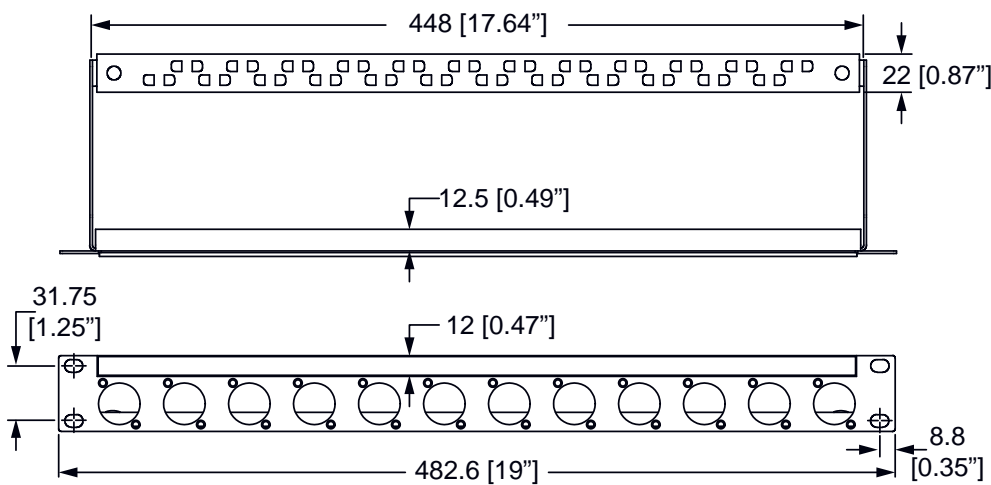
The panel also as an ID strip for connector identification.

Available with punched panels for D-Series Chassis connectors (R2269 Series) or BNC Connectors (R2280 Series)

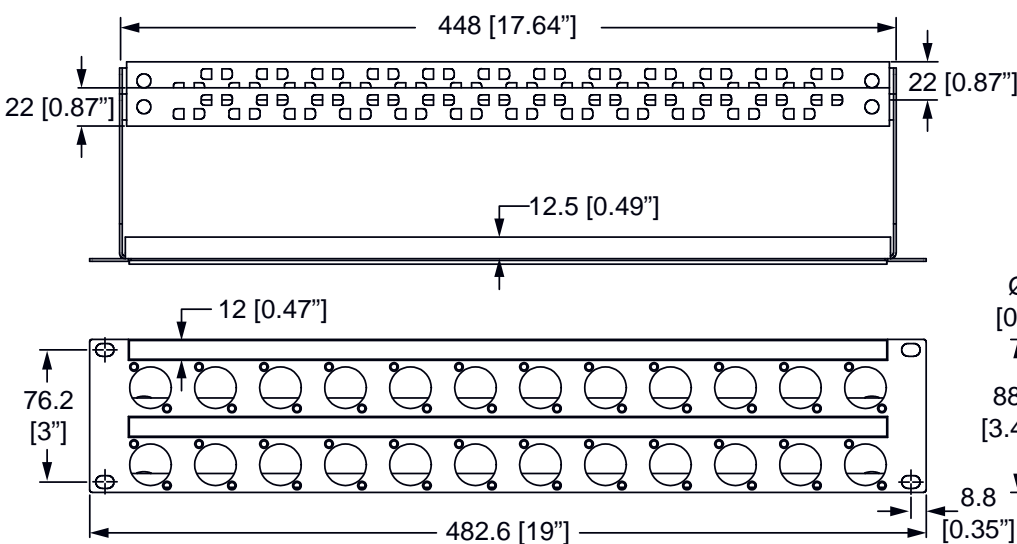
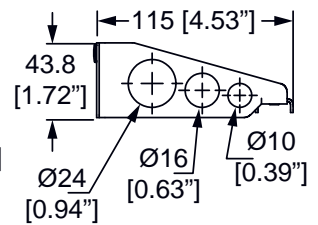


Scan to Watch Our Video

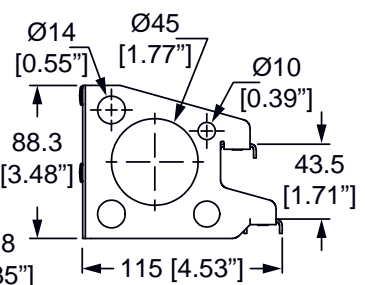
Or Visit: youtu.be/jhlv4zyOWOU

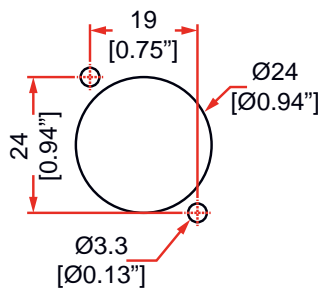


1U Panels



2U Panels



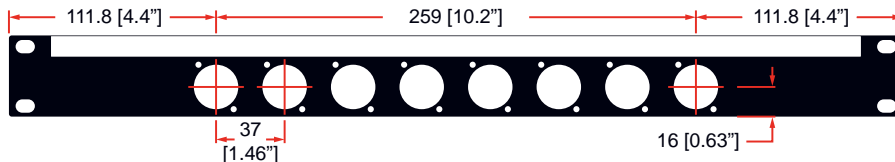


D-Series Hole Patterns

R2269 Series Panels punched for D-series connector chassis

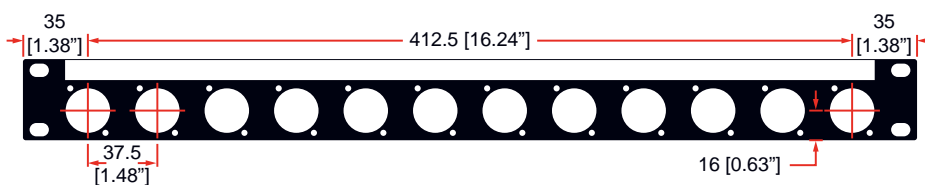
R2269/1UK-08

U Size:	1 Unit
Punch Pattern	8 Neutrik D-Series
Weight:	0.67kg / 1.47lb



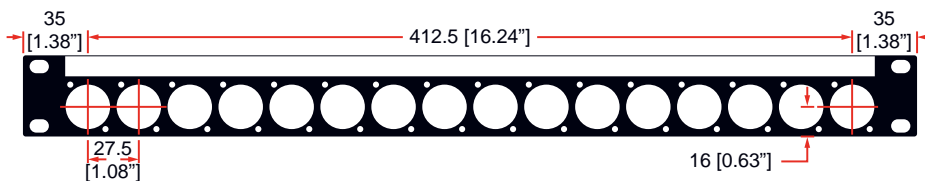
R2269/1UK-12

U Size:	1 Unit
Punch Pattern	12 Neutrik D-Series
Weight:	0.65kg / 1.44lb



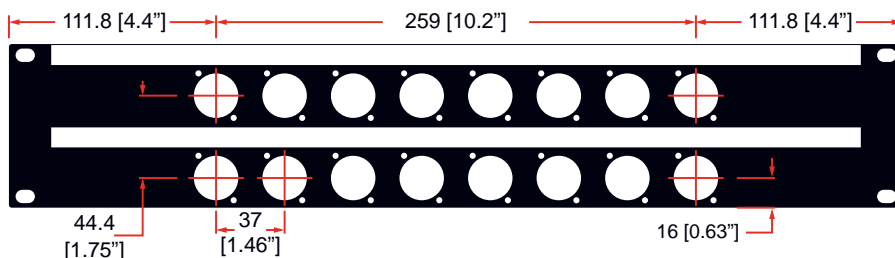
R2269/1UK-16

U Size:	1 Unit
Punch Pattern	16 Neutrik D-Series
Weight:	0.65kg / 1.43lb



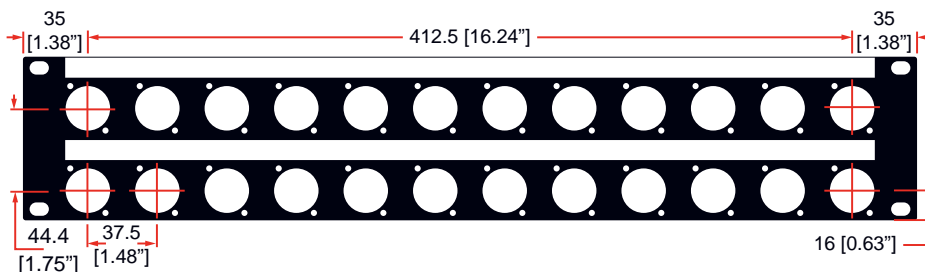
R2269/2UK-16

U Size:	2 Units
Punch Pattern	16 Neutrik D-Series
Weight:	1.26kg / 2.77lb



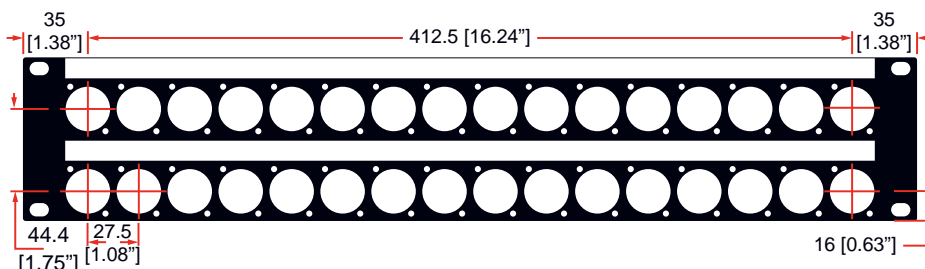
R2269/2UK-24

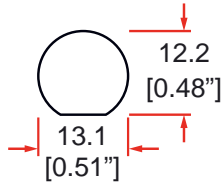
U Size:	2 Units
Punch Pattern	24 Neutrik D-Series
Weight:	1.2kg / 2.66lb



R2269/2UK-32

U Size:	2 Units
Punch Pattern	32 Neutrik D-Series
Weight:	1.15kg / 2.54lb

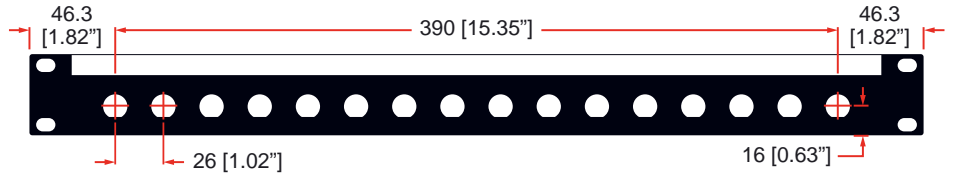




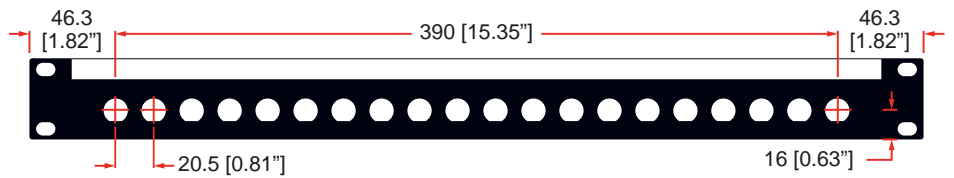
R2280 Series Panels punched for BNC connectors

BNC Hole Patterns

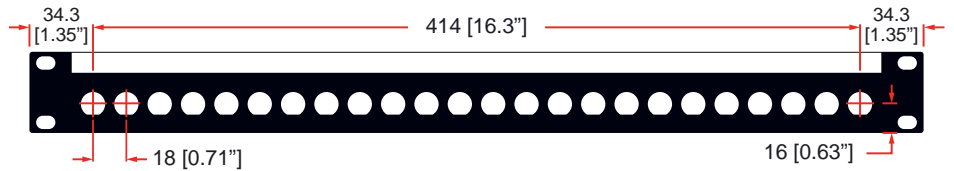
	R2280-1UK-16	
U Size:		1 Unit
Punch Pattern	16 BNC Connectors	
Weight:	0.67kg / 1.47lb	



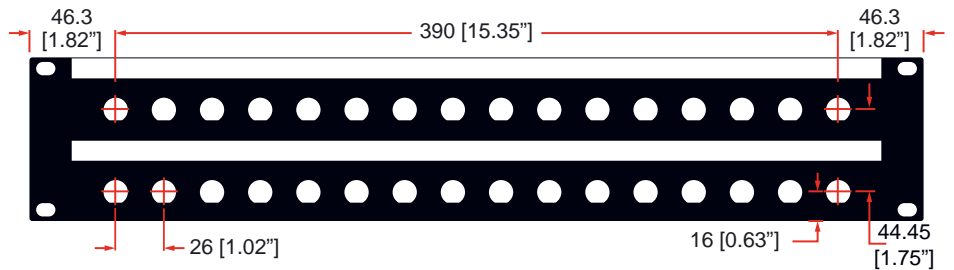
	R2280-1UK-20	
U Size:		1 Unit
Punch Pattern	20 BNC Connectors	
Weight:	0.65kg / 1.44lb	



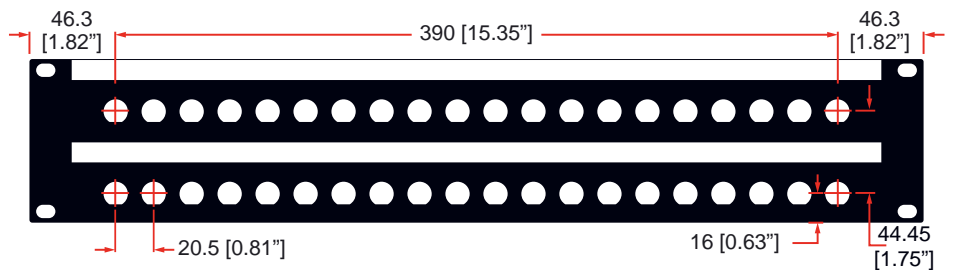
	R2280-1UK-24	
U Size:		1 Unit
Punch Pattern	24 BNC Connectors	
Weight:	0.65kg / 1.43lb	



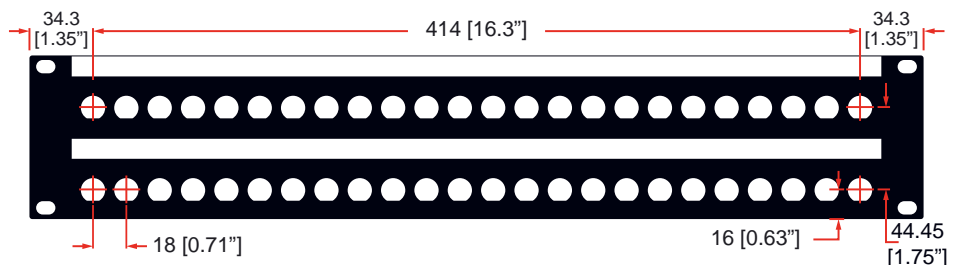
	R2280-2UK-32	
U Size:		2 Units
Punch Pattern	32 BNC Connectors	
Weight:	1.26kg / 2.77lb	



	R2280-2UK-40	
U Size:		2 Units
Punch Pattern	40 BNC Connectors	
Weight:	1.2kg / 2.66lb	



	R2280-2UK-48	
U Size:		2 Units
Punch Pattern	48 BNC Connectors	
Weight:	1.15kg / 2.54lb	



R1245 - For Keystone Modules

1U Rack Panel for 24 x Keystone Snap-in Modules.
Includes ID Strip.
Available pre-loaded with 24 x CAT 6 Connectors.



Material: Steel

Not pre-loaded

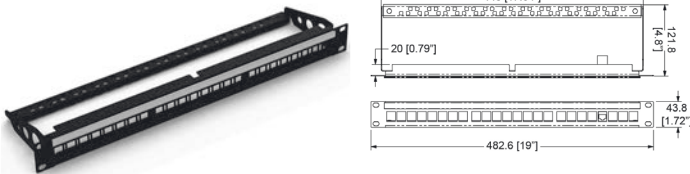
Part No.	Finish	Description
R1245/1UK	Black	24 x Keystone 1U Panel with ID Strip

Pre-loaded

Part No.	Finish	Description
R1245L/1UK	Black	Pre-loaded with CAT 6 Connectors

R2245 - For Keystone Modules

1U Rack Panel for 24 x Keystone Snap-in Modules.
With Cable Support Bar and ID Strip.
Available pre-loaded with 24 x CAT 5e Connectors.



Material: Steel

Not pre-loaded

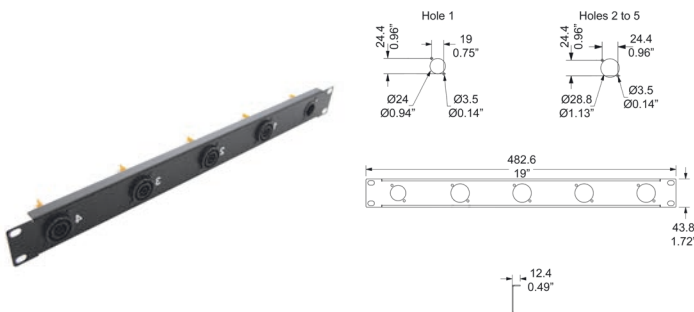
Part No.	Finish	Description
R2245/1UK	Black	24 x Keystone 1U Panel with ID Strip

Pre-loaded

Part No.	Finish	Description
R2245L/1UK	Black	Pre-loaded with CAT 5e Connectors

R1268-1UK-TRF

1U Rack Panel punched for 5 powerCON TRUE1 Chassis Connectors
Available Filled with 1 NAC3MPX Inlet and 4 NAC3FPX Outlets
or Empty: Punched for 1 NAC3MPX Inlet and 4 NAC3FPX Outlets



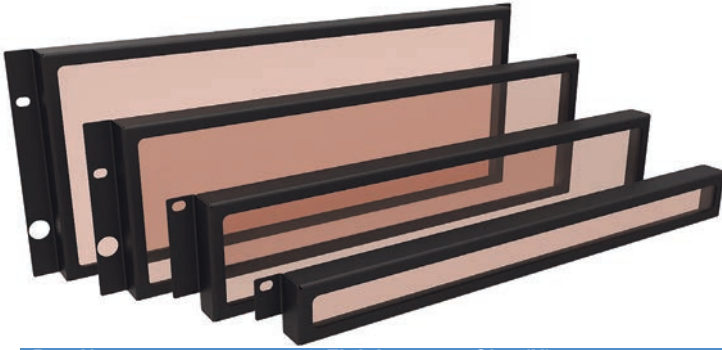
Material: Steel

Not pre-loaded

Part No.	Description
R1268-1UK-05TR	Unfilled: Punched for 1 NAC3MPX Inlet and 4 NAC3FPX Outlets

Pre-loaded

Part No.	Description
R1268-1UK-05TRF	Filled with 1 NAC3MPX Inlet and 4 NAC3FPX Outlets



R2287 - Security Rack Panels

19" Security Rack Panels with Smoked Window.



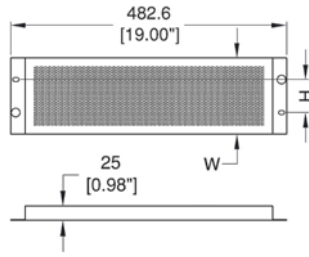
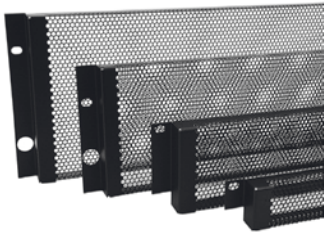
Scan to Watch
Our Video

Or Visit:
youtu.be/0FQ0UmZEisc

Material: 1.2mm / 18 gauge Steel

Part No.	Finish	Size (U)
R2287/1UK	Black	1U
R2287/2UK	Black	2U
R2287/3UK	Black	3U
R2287/4UK	Black	4U

Security Panels



PANEL	W	H
1U	44.4 / 1.75"	31.75 / 1.25"
2U	88.9 / 3.50"	76.20 / 3.00"
3U	133.4 / 5.25"	57.15 / 2.25"

R1287 - Security Rack Panels

Security Panels.
Available Perforated or Plain.
Black Powder Coated.

Material: 1.2mm / 18 gauge Steel

Perforated

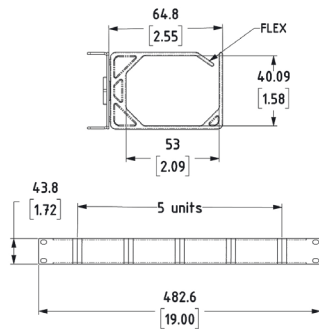
Part No.	Size (U)	Weight
R1287/1UK	1U	0.22kg/0.49lb
R1287/2UK	2U	0.33kg/0.72lb
R1287/3UK	3U	0.5kg/1.1lb
R1287/4UK	4U	0.68kg/1.49lb

Plain

Part No.	Size (U)	Weight
R1287/1BK	1U	0.47kg/1.04lb
R1287/2BK	2U	0.54kg/1.18lb
R1287/3BK	3U	0.6kg/1.32lb
R1287/4BK	4U	0.5kg/1.1lb

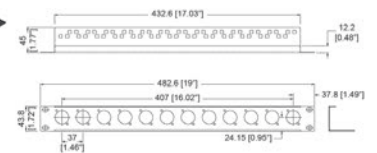
Cable Management Panels

CMP-1U



1U Panel with 5 Plastic Rings for Cable Management.

R1269 CTF

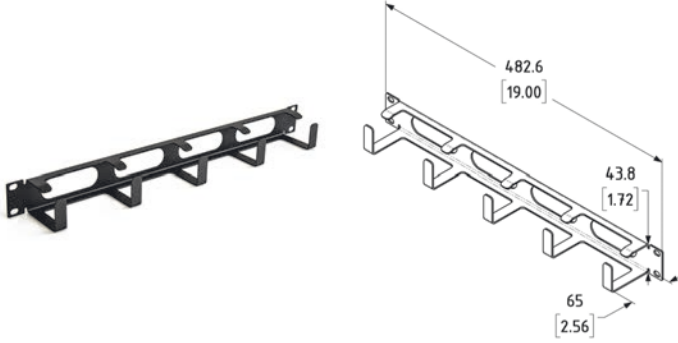


1U Rack Panel with Integral Cable Support.

Part No.	Finish	Size (U)	Description
CMP-1U	Black	1U	19" Ring Cable Manager

Part No.	Finish	Description
R1269/1UK/12CTF	Black	Punched for 12 D-Series Connectors

R1285-CMP



1U Panel with 5 Steel Rings for Cable Management

Material: 2mm Steel

Part No.	Finish	Description	Weight
R1285-CMP-1U	Black	1U	0.41kg/0.9lb

R1317 - Lacer Panel



2U Horizontal Lacer Panel with a Matrix of Holes. Perfectly suited for neatly tying off leads and cables in a rack.

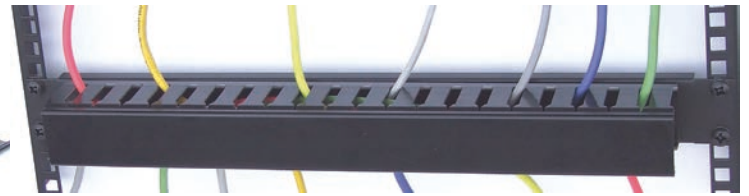
Material: 1.5mm / 16 gauge Steel

Part No.	Finish	Description
R1317	Black	2U Horizontal Lacer Panel

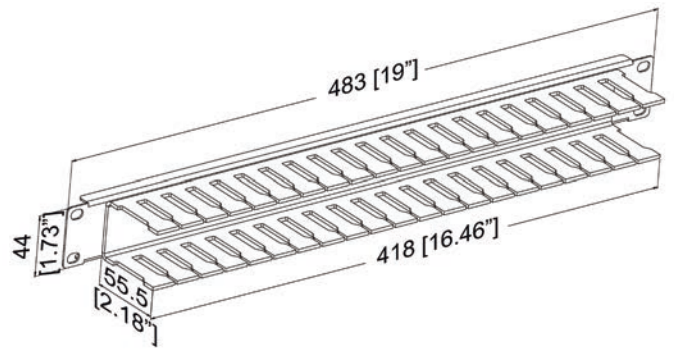
CMP-SD



1U Cable Management Slotted Duct with Cover. A neat solution to cross patch wiring looms.

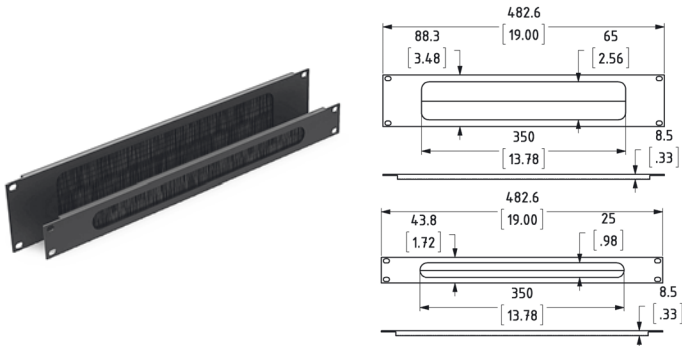


Cable Mgmt Panels



Part No.	Finish	Description
CMP-SD	Black	1U with Black Plastic Slotted Duct
CMP-SD-2U	Black/Grey	2U with Grey Plastic Slotted Duct NEW!

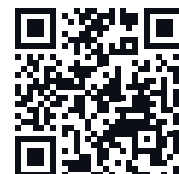
R1268 1U-2U PBS



Rack Panel with Cable Access Slot and Brushes. New and improved design with extruded aluminum body.

Material: Aluminium

Part No.	Finish	Size (U)	Weight
R1268/1UK-PBS	Black	1U	0.22kg/0.5lb
R1268/1UG-PBS	Grey	1U	0.22kg/0.5lb
R1268/2UK-PBS	Black	2U	0.29kg/0.63lb
R1268/2UG-PBS	Grey	2U	0.29kg/0.63lb



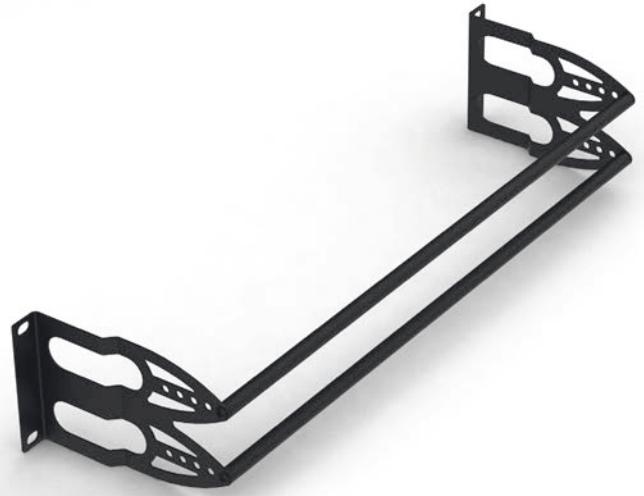
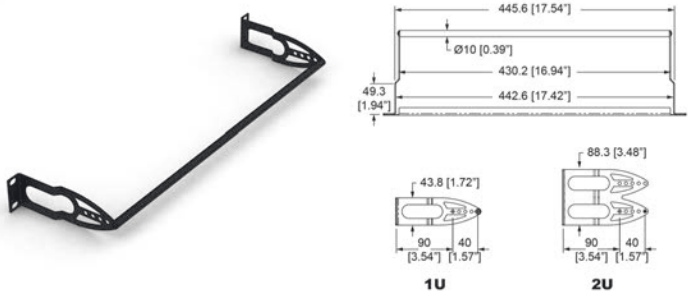
Scan to Watch Our Video

Or Visit:

youtu.be/MGGuCF7NgQ4

86 - Cable Management Panels

R1268/XU-CTB - Cable Tie / Lacer Bar Kits



The Mounting Brackets sit in between a Rack Panel and Rack Rail, which allow normal Rack Panels to be converted for cable management.

These Cable Tie / Lacing Bars can be fitted to any rack panel:

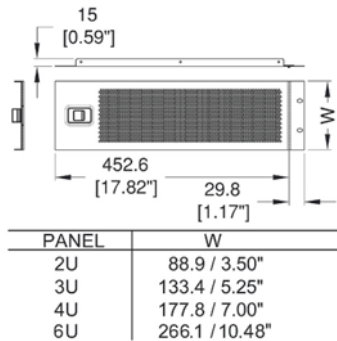
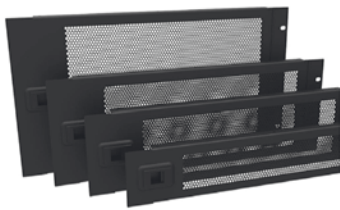
- The 1U fits into 1U Panels
- The 2U works with 2U and 3U Panels

Material: Steel

Part No.	Description	Size (U)	Weight
R1268/1U-CTB	Cable Tie Bar Kit	1U	0.16kg/0.35lb
R1268/2U-CTB	Cable Tie Bar Kit	2U	0.32kg/0.71lb

Rack Doors

Cable Mgmt Panels



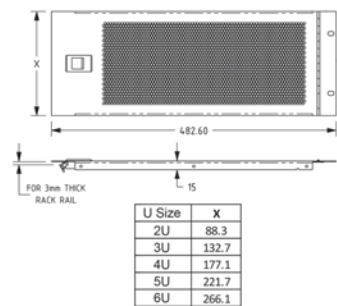
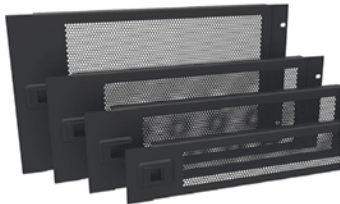
R1272V

Hinged Vented Rack Panels.

Use with 1.5mm / 1/16" or 2mm / 0.08" Rack Rail: **R0863** (p.41) and **R0883** (p.41) Family

Material: 1.2mm / 18 gauge Steel

Part No.	Finish	Size (U)	Weight
R1272/2UVK	Black	2U	0.39kg/0.86lb
R1272/3UVK	Black	3U	0.58kg/1.29lb
R1272/4UVK	Black	4U	0.62kg/1.36lb
R1272/6UVK	Black	6U	1.17kg/2.58lb



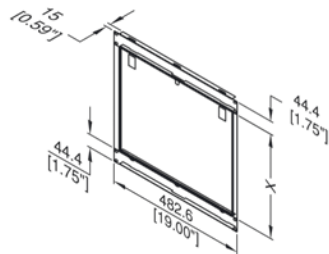
R1372-XUVK

Hinged Vented Rack Panels.

Allow for 62% free air.

Use with 3mm / 1/8" Rack Rails: **R0828** (p.40) Family.

Part No.	Finish	Size (U)	Weight
R1372/2UVK	Black	2U	0.39kg/0.86lb
R1372/3UVK	Black	3U	0.58kg/1.29lb
R1372/4UVK	Black	4U	0.62kg/1.36lb
R1372/5UVK	Black	5U	0.9kg/1.98lb
R1372/6UVK	Black	6U	1.17kg/2.58lb



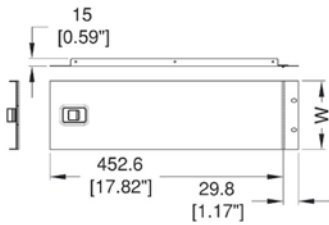
RACK DOOR	X
6U	177.2 / 6.98"
10U	355 / 13.98"
14U	532.8 / 20.98"

R1298

Lockable Rack Door.

Material: 1.2mm / 18 gauge Steel

Part No.	Description	Size (U)	Weight
R1298/6UK	Lockable Rack Door	6U	1.48kg/3.27lb
R1298/10UK	Lockable Rack Door	10U	2.35kg/5.18lb
R1298/14UK	Lockable Rack Door	14U	3.12kg/6.88lb



PANEL	W
2U	88.9 / 3.50"
3U	133.4 / 5.25"
4U	177.8 / 7.00"

R1272

Hinged Rack Panels.

Use with 1.5mm / 1/16" or 2mm / 0.08" Rack Rail: R0863 (p.41) and R0883 (p.41) Family



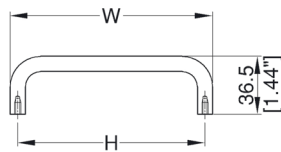
Scan to Watch
Our Video

Or Visit:
youtu.be/e_ZVsyKpH0

Material: 1.2mm / 18 gauge Steel

Part No.	Finish	Size (U)	Weight
R1272/2UK	Black	2U	0.89kg/1.96lb
R1272/3UK	Black	3U	1.34kg/2.95lb
R1272/4UK	Black	4U	1.78kg/3.91lb
R1272/6UK	Black	6U	2.66kg/5.87lb

Rack Handles



R1265 - Rack Handles

Rack Panel Handles.
Threaded for M4 Screws.
Available in black and chrome.

HANDLE	W	H
2U	83.5 / 3.29"	74 / 2.91"
3U	127.5 / 5.02"	118 / 4.64"
4U	172.5 / 6.79"	163 / 6.42"
5U	217 / 8.54"	207.5 / 8.17"
6U	261.5 / 10.3"	252 / 9.92"

Material: Steel

Part No.	Finish	Description	Weight
R1265/105UK	Black	1.5U	70g/2.47oz
R1265/105UC	Chrome		
R1265/2UK	Black	2U	68g/2.4oz
R1265/2UC	Chrome		
R1265/3UK	Black	3U	92g/3.25oz
R1265/3UC	Chrome		
R1265/4UK	Black	4U	0.12kg/0.26lb
R1265/4UC	Chrome		



CoolRaC

This is a very quiet 1U Hot Air Extraction Unit, which uses 3 miniature blowers to expel heat from any 19" equipment racks. Behind the 1U Escutcheon, the ergonomic 0.5U space design allows for the CoolRaC to be placed in between layers of equipment to pull heat directly away from the gear.

Technical Specifications

- Low Noise: 22.3dBA (Ideal for Studio Racks & Churches)
- Power: 12V DC - 420mA
- Air movement: 120 CFM
- 1A Universal PSU included.

Available accessories:

This CoolRaC can be controlled by our **CRC-TEMP** (p.92) Standard Fixed 40°C (104°F) thermal sensor. Or it can be Digitally Controlled with our **FT-DTC** (p.90) 1U Rack Mounting Thermostatic Controller. DC link cable: **CRC-Link** (p.92)

CoolraC

Part No.	Finish	Description	Weight
COOLRAC-B	Black	1U Hot Air Extraction Unit	1.83kg/4.03lb
COOLRAC-S	Silver		



FT01-Q

Quiet and versatile Rack Fan Unit. Easy switch from a 1U fan tray to a 6U blower.

Can either draw in or expel air from the front or the back of the rack.

Technical Specifications

- Low Noise (24.4 dBA)
- Power: 12V DC Operation - 450mA
- Air movement: 170 CFM
- 1A Universal PSU included

Available accessories:

This Fan Unit can be controlled by our **CRC-TEMP** (p.92) Standard Fixed 40° thermal sensor. Or it can be Digitally Controlled by our **FT-DTC** (p.90) 1U Rack Mounting Thermostatic Controller. DC link cable: **CRC-Link** (p.92)



Scan to Watch
Our Video

Or Visit:
youtu.be/KyAiXwoXIBw

Part No.	Weight
FT01-Q	1.6kg/3.53lb



FT02-Q - Dual Fan Kit

Dual Fan Kit for Wall Mount Racks

FT02-Q quiet fan kits are designed to be fitted in pre-punched WM and WMP wall mounted racks. A 1A universal PSU is supplied with the fan kit.

Technical Specifications

- Air movement: 150CFM (252m/h) @1,350RPM
- Fan Dimensions: (OD) 120 x 120 x 25mm (4" x 4" x 1")
- Fan units: 2 x 9 Bladed 120mm / 4.72" Fans
- Noise levels: 22.5dBA (0.3 Sone).
- Power: 12V DC - 500mA
- Power out: 2 x DC In/Out Sockets

This Fan Unit can be controlled by our **CRC-TEMP** (p.92) Standard Fixed 40°C (104°F) thermal sensor.

Or it can be Digitally Controlled by our **FT-DTC** (p.90) 1U Rack Mounting Thermostatic Controller.

DC link cable: **CRC-Link** (p.92)

Part No.	Finish	Description	Weight
FT02-Q	Black	Dual Fan Kit	0.4kg/0.88lb

POWER DISTRIBUTION

P. 92

RACK LIGHTS

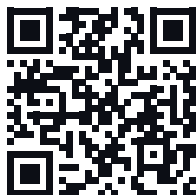
P. 95

CABLE MANAGEMENT

P. 96

RACK & STAGE BOXES

P. 100



Scan to Watch
Our Video

Or Visit:
youtu.be/ZCPsycw7HzE

FP02-Q-3U

Low noise 3U Heat Extraction Units are designed to be fitted into the front or back of a 19-inch rack to suck hot air out of an enclosure. As hot air rises the best results will be achieved by mounting them at the top of the cabinet. A DC-DC link socket is provided, so two or more units can be linked together; **a higher power PSU must be used.**

Each extractor can also be controlled by a CRC-TEMP thermal sensor.

Technical Specifications

- Low Noise 22.5dBA (0.3 Sone)
- Air movement: 200CFM (336m³/h) @ 1,350RPM
- Dimensions: 483mm x 133.4mm x 55mm / 19.02" x 5.25" x 2.17"
- 2 x 9 Bladed 120mm Fans
- High Static Pressure
- Power: 12V DC – 500mA / 2 x DC In/Out Sockets
- 500mA universal PSU supplied
- Fluid Bearings = 2 Year Limited Warrantee

These extractor panels can be controlled by our **CRC-TEMP** (p.92) Standard Fixed 40°C (104°F) thermal sensor.

Or they can be Digitally Controlled by our **FT-DTC** (p.90) 1U Rack Mounting Thermostatic Controller.

Use **AF-F12** (p.92) Magnetic Fan Dust Filter Covers.

Part No.	Finish	Description	Weight
FP02-Q-3U	Black	3U Heat Extraction Panel	1.5kg/3.31lb



CRC02-DTC - Thermo Exhaust Blower

2U Rack Mountable Digital Thermostatically Controlled Quiet Fan Exhaust unit, for use in 19" equipment racks.

It has been designed to be fitted in-between equipment or at the top of the rack to expel hot air efficiently and quietly.

Technical Specifications

- Continuous temperature monitoring
- Set & forget fan control
- Fan run LED indicator
- Over temperature alarm
- Temperature Sensor Input Socket
- Plug-in PTC sensor 1m lead
- Low Noise (24.4 dBA)
- 12V DC Operation - 500mA
- 3 x 9 Bladed Swiss 120mm Fans
- 220 CFM / 378m³/h
- Japan made Fluid Bearings
- 1A universal PSU supplied
- Dimensions (OD): 44.5mm x 483mm x 222mm / 1.75" x 19.02" x 8.74"

Material: Steel

Part No.	Finish	Description	Weight
CRC02-DTC	Black Powder Coated	Thermo Exhaust Blower	1.4kg/3.09lb



FT01Q-DTC - Thermostatic Fan Tray

Digitally controlled version of our long standing popular FT01Q fan tray. 1U Rack Mountable Digital Thermostatically Controlled Quiet Fan Tray unit, for use in 19" equipment racks.

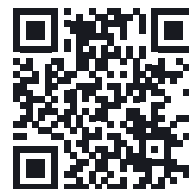
It is designed to be fitted at the top of the rack to move hot air up through the rack as required.

Technical Specifications

- Continuous temperature monitoring
- Over temperature alarm
- Plug-in PTC sensor 1m / 39" lead
- Low Noise (22.5 dBA)
- 12V DC Operation - 500mA
- 3 x 9 Bladed Swiss 120mm Fans
- 220 CFM / 378m³/h
- Japan made Fluid Bearings
- Temperature Sensor Input Socket
- DC in/out sockets
- 1A universal PSU supplied
- Dimensions: 44.5mm x 483mm x 222mm / 1.75" x 19.02" x 8.74"

Material: Steel

Scan to Watch



Our Video

Or Visit:

youtu.be/fpB4s_1D45k

Part No.	Finish	Description	Temperature Unit	Weight
FT01Q-DTC	Black Powder Coated	Thermostatic Fan Tray	Celsius	1.4kg/3.09lb
FT01Q-DTC-F	Black Powder Coated	Thermostatic Fan Tray NEW!	Fahrenheit	1.4kg/3.09lb

R4000-FT - Fan Trays



These fan trays have been made for the R4000 / R5000 server rack enclosures. They are designed to be fitted in the 10U Top Service Area to extract the hot air and draw up cool air from the bottom inlets.

Technical Specifications

- Low Noise 22.5dBA (0.3 Sone)
 - Up to 444CFM 756m³/h @ 1,350RPM
 - High Static Pressure
 - 9 Bladed 120mm Fans
 - 12V DC - 750 - 2000mA
 - 2 x DC In/Out Sockets
 - Temperature Probe Socket (Standard Fixed 40°C (104°F) Sensor)
 - On/Off with a coloured indicator Rocker Switch
 - Suitable World Wide Universal PSU supplied
 - Fluid Bearings = 2 Year Limited Warrantee
- These Fan Trays can also be Digitally Controlled by our **FT-DTC** (p.90) 1U Rack Mountable Thermostatic Controller

Material: 1.2mm / 18 gauge Steel



Scan to Watch Our Video

Or Visit: youtu.be/01UeNwxZpgY

Part No.	Finish	Description	Weight
R4000-FT3	Black	5U Fan tray with 3 fans	2.3kg/5.07lb
R4000-FT4	Black	10U Fan tray with 4 fans	3.7kg/8.16lb
R4000-FT6	Black	10U Fan tray with 6 fans	3.8kg/8.38lb

Rack Cooling Systems



FT-DTC - Digital Thermostatic Controller

This 1U Rack Mountable Digital Thermostatic Controller can be used to monitor and control all of our low noise DC fan units: **CoolRaC** (p.88) , **FT01-Q** (p.88) , **FT02-Q** (p.88) and **FP02-Q-3U** (p.89) .

The digital thermostat module features: Continuous rack temperature monitoring, settable fan run temperature control with LED indicator and over temperature alarm.

Technical Specifications

- Continuous temperature monitoring
- Set & forget fan control
- Fan run LED indicator
- Over temperature alarm
- 12V DC Input & Output 2.1 Sockets
- Switched 12V DC at Maximum of 4A
- Temperature Sensor Input Socket
- Plug-in PTC sensor 1m / 39" lead
- Dimensions (OD): 44.5mm x 483mm x 70mm / 1.75" x 19.02" x 2.76"

Part No.	Finish	Description	Weight
FT-DTC	Black	Digital Thermostatic Controller	1kg/2.2lb

FT80-Q - Quiet Closets Cooling Unit



Quiet exhaust fan unit designed to be fitted into sealed wooden cabinets, closets and enclosed equipment racks where hot air is not being expelled. These type of situations invariably cause thermal failure, as the in-board fans are just recycling hot air.

These exhaust fans are easily fitted into any wooden enclosures all that is required is a an awl, cross head screwdriver and a 79mm / 3 1/8" Hole Cutter. Once mounted just hook-up to the 12V universal PSU via the input socket. A second unit can also be run from the 500mA power supply by using a **CRC-LINK** (p.92) cable.

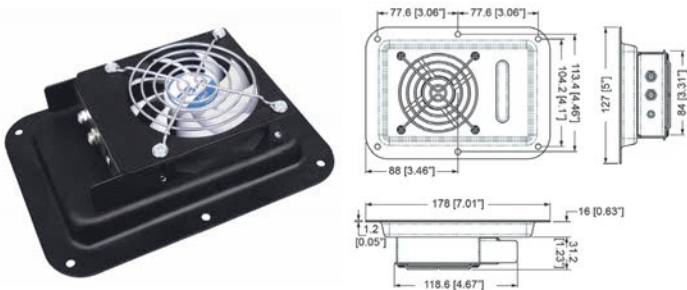
A thermal sensor accessory, the **CRC-TEMP** (p.92) can be Plugged into the TEMP socket.

Technical Specifications:

- Dimensions: 100mm x 100mm x 25mm / 4" x 4" x 1"
- Low Noise 22.5dBA (0.3 Sone)
- 28CFM (47.6m³/h) @2000 RPM
- High Static Pressure
- 1 x 9 Bladed 80mm / 3.15" Fan
- 12V DC - 200mA

Part No.	Description	Weight
FT80-Q	Quiet Closet Cooling Unit	0.4kg/0.88lb

FT80-Q-FC - Flight Case Exhaust Unit



Penn Elcom brings you a new and quiet exhaust fan unit for flight case racking that is mounted into a Penn Elcom large dish for your convenience.

The FT80-Q-FC regulates the enclosure's temperature by expelling hot air, preventing thermal failure. Thermal failure is caused by many generic in-board fans that simply circulate hot air within the enclosure rather than expelling it.

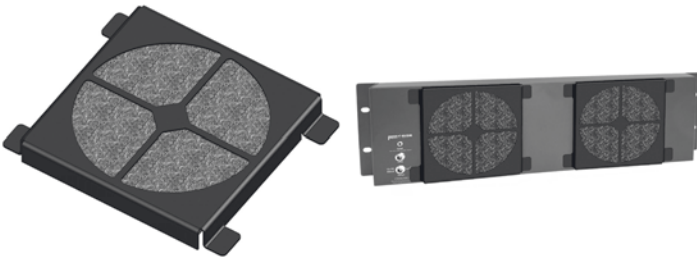
- Low noise level 22.5dBA (0.3 sone)
- Dimensions: 178mm x 127mm x 47.5mm / 7" x 5" x 1.87"
- 28CFM (47.6m³/h) at 2000 RPM
- High static pressure
- 1 x 9 bladed 80mm / 3.15" fan
- 12V DC - 200mA

A second unit can also be run from the 500mA power supply by using a **CRC-LINK** (p.92) cable.

Thermal sensor accessory included, the **CRC-TEMP** (p.92) can be Plugged into the TEMP socket.

Part No.	Finish	Description	Weight
FT80-Q-FC	Black	Quiet Exhaust Solution for Flight Case Racks	0.4kg/0.88lb

AF-F12 - Magnetic Fan Dust Filter Cover



Magnetic Fan Dust Filter Cover. (Sold in Pairs). Held in place with 4 Neodymium Magnets and can easily be removed for cleaning. Designed to fit over 120mm / 4.72" grilles on the **FP02-Q-3U** (p.89) fan panel but also usable with most of our other fan trays.

Technical Specifications:

- N42 Neodymium Magnet - 0.44kg/0.97lb Pull each
- 6mm / 1/4" Thick Reticulated Filter Foam 45 PPI
- Dimensions: 132mm x 132mm x 17mm / 5.2" x 5.2" x 11/16"

Material: 1.2mm / 18 gauge Steel

Part No.	Finish	Description	Weight
AF-F12	Black	Magnetic Dust Cover	0.2kg/0.44lb

Rack Cooling Accessories

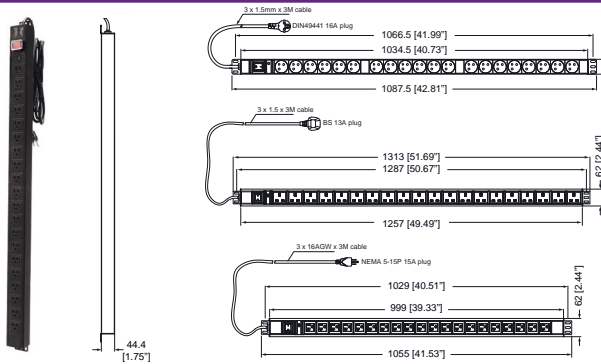


Accessories for rack cooling systems:

- **CRC-TEMP:** Plug-in thermostat enables the fan to activate only when it reaches a certain temperature. This increases the efficiency of the unit and reduces noise to zero when it is not active.
- **CRC-LINK** 2.1mm / 3/32" to 2.1mm / 3/32" DC link cable for use with the 2000mA PSU or connect FT-DTC Digital Thermostatic Controller to other units

Part No.	Description
CRC-TEMP	Plug-in Thermostat
CRC-LINK	2.1mm / 3/32" to 2.1mm / 3/32" DC link cable

Power Distribution Units



PDU-XX-20B - 20 Way Vertical PDU

20 way vertical PDU with 3m/118" mains cable with 16A C-FORM power connector.

They feature 2 banks of 10 sockets each with 8A on/off overload trip switch, along with master surge and lightning protection plus a LED condition indicator.

Part No.	Finish	Region	Description
PDU-US-20B	Black	USA	20 Way Vertical PDU
PDU20-UK	Black	UK	20 Way Vertical PDU
PDU-EU-20B	Black	Europe	20 Way Vertical PDU
PDU-AU-20B	Black	Australia	20 Way Vertical PDU
PDU-CN-20B	Black	China	20 Way Vertical PDU



PDU-XX-6 - PDU with Overload & Surge Protection

19 inch Rack Mount 6 Way Power Distribution Unit with On/Off overload trip switch, along with master surge and lightning protection plus a LED condition indicator.

Part No.	Region	Cable	Plugs
PDU6-UK	UK	2m	UK
PDU-AM-6	USA	6ft	Type B
PDU-EU-6	Europe	2m	Shucko
PDU-AU-6	Australia	2m	Type 1

PDU-XX-6B



Scan to Watch



Our Video

Or Visit:

youtu.be/VPAOkva3RfA

6-Way Rack Mountable Distribution Unit

Material: Steel

Part No.	Finish	Description
PDU-US-6B	Black	USA Adaptor
PDU-EU-6B	Black	European Adaptor
PDU-CN-6B	Black	China Adaptor

PDU16-EU - European PDU



2U 16amp Rack Mount PDU with Power Monitor Pair of C-FORM Sockets with overload trip switch.

8 x Schuko Outlet Sockets with 16A overload trip switch.

Ideal solution for fast power distribution in stage, studio, and touring environments.

Part No.	Description	Weight
PDU16-EU	2U 16amp Rack Mount PDU with European Outputs	2.5kg/5.51lb

PDU16-UN - Universal PDU



2U 16amp Rack Mount PDU with Power Monitor Pair of C-FORM Sockets with overload trip switch

8 x WW Universal Outlet Sockets with 16A overload trip switch.

Ideal solution for fast power distribution in stage, studio, and touring environments.

Part No.	Description	Weight
PDU16-UN	2U 16amp Rack Mount PDU with WW Universal Outputs	2.5kg/5.51lb

PDU16-PC - PowerCon PDU



2U 16amp Rack Mount PDU with Power Monitor Pair of C-FORM Sockets with overload trip switch.

8 x Neutrik PowerCon Outlet Sockets with 16A overload trip switch.

Ideal solution for fast power distribution in stage, studio, and touring environments.

Part No.	Description	Weight
PDU16-PC	2U 16amp Rack Mount PDU with PowerCon Outputs	2kg/4.41lb



PDU01-14 - Rack Mounting PDU

1U Rack Mounting PDU with Surge Protection & EMI Filter. Designed to provide a versatile hook-up for the distribution of AC & DC power within multimedia racking applications.

All components used in this unit conform to current RoHS, CE & UL certification.

Case Size: 45mm x 140mm x 430mm / 1.77" x 5.51" x 16.93"

DC PSU: Switchable Isolated DC supply

Earth Link: M4 Screw Terminal for rack grounding.

Frequency: 50/60Hz

Input: Neutrik Power Con with Internal 20A line Fuse, 20A EMI filter & GDC/MOV Lightning Strike/Power Surge Protection

Max. A/C Output: Current 20A

Nominal voltage: 230V

Output AC: 8 x IEC320 C13

Output DC: 12 Way pluggable screw terminal socket. 3 x 5V dc max load 2100mA. 3 x 12V dc max load 1200mA.

Protection: 2 x 10 Amp Circuit Breakers

Usable Voltages: 200V - 240V

Part No.	Finish	Description	Weight
PDU01-14	Black	1U PDU with Surge Protection & EMI Filter	3.5kg/7.72lb



PDU16-AV - 20amp Universal PDU

2U 20 Amp Rack Mount PDU with Power Monitoring & Overload Protection
 2U high Horizontal Mounting unit designed to provide versatile hook-up for the distribution of AC power within Audio Visual & Multimedia applications.

Part No.

PDU16-AV

Weight

2.5kg/5.51lb

PDU6SW - 6 Way PDU with Individually Switchable Outlets

Scan to Watch Our Video



Or Visit:

youtu.be/EKaUJExxmEA



6 Way Rack Mount PDU with Individually Switchable Outlets of 13A maximum combined load.

The Transient Voltage Surge Suppression (TVSS) protects rack applications against small but frequent electrical surges caused by simultaneous operation of large equipment. Combine with 13A fuse and Lightning Strike protection, equipment would stay safe and functional even after severe voltage spikes from unexpected lightning and utility accidents. The PDU6SW also has built-in power line filter for noise filtering.

Dimensions: 30mm x 88.5mm x 430mm / 1.18" x 3.48" x 16.93" (483mm / 19.02" overall)

Output: 6 x Individually Switched 13A-240V (UK1-13R) BS1363A Type G Shuttered Sockets

Power input: 13A-250V PLUG (UK1-13P), BS 1363 A TYPE G on a 1M lead

Usable Voltage: 220/240V 50/60Hz

Part No.	Finish	Description	Weight
PDU6SW	Black	6 Way PDU	1.4kg/3.09lb

PDU16-6UK



20A AC Pro Stage and Truss Mount Plug Board

This power distribution board is built for professional event use, with a super tough steel case and high-spec components.

Designed for mounting, it comes with a rear M10 captive nut fixing for coupler attachment to truss and stage fixings. Also has side slots for velcro or cable ties to help secure the unit.

Unit provides 6 x 13A UK sockets and a Neutrik 20A PowerCON in and out link and a 16A illuminated thermal breaker for circuit protection.

Works great with this C4504 half coupler with M10 recess

Safety notice: when using the LINK output the combined load of a 'Daisy Chain' must not exceed 20A

Specification:

Voltage: 250V max

Frequency: 50/60HZ

Max Combined Load: Current 20A

Dimensions: 44mm x 166mm x 243mm / 1.73" x 6.54" x 9.57"

Part No.	Finish	Description	Weight
PDU16-6UK	Black	Power Distribution Board	1.7kg/3.75lb

PDUXX-USA - Vertical Rack Mount *NEW!*

PDU12-US vertical rack mount PDU with 12 or 24 NEMA 5-15R white output sockets in a black steel casing.

- Variable mounting bracket system
- 15A illuminated circuit breaker
- The outer edge features slots for velcro or cable ties
- 6.5ft (2m) flying lead with 5-15R NEMA 15A Plug
- Input: 15A X 6.5ft (2m) Power Cable - 120v Ac 47/63hz
- Output: 12 or 24 X NEMA 5-15R – 120V AC 47/63Hz 15A Max Combined Load
- Protection: Transient Voltage Surge Suppression / EMI Power Line Filter



Part No.	Finish	Number of Sockets	Dimensions	Weight
PDU12-US	Black	12 Sockets	845mm x 42mm x 34mm / 33.27" x 1.65" x 1.34"	2.5kg/5.51lb
PDU24-US	Black	24 Sockets	1.52m x 42mm x 34mm / 60" x 1.65" x 1.34"	3kg/6.61lb



Scan to Watch



Our Video

Or Visit:

youtu.be/QDaDfCIVEKs



PDU16-10DJ NEW!

1U 16A 10-Channel Power Distribution Unit

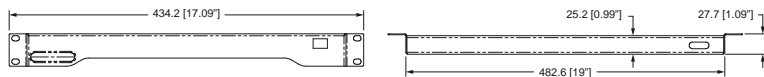
This model in the PDU16 series is a 1U distributor with ten switchable channels protected by an overload trip switch. Each numbered channel has a dedicated rocker switch with neon indicator light for quick and easy identification.

The unit receives power through a C20 inlet and can output to ten C13 / IEC outlets. Each unit comes supplied with one 1.8m power cable (choice of country type available).

Part No.	Finish	Plug Type	Weight
PDU16-10DJ-UK	Black	TYPE G (UK,Ireland, Malta, Malaysia & Singapore)	2.5kg/5.51lb
PDU16-10DJ-EU	Black	TYPE E / F (Europe, Russia)	2.5kg/5.51lb
PDU16-10DJ-US	Black	TYPE B (USA, Canada, Mexico & Japan)	2.5kg/5.51lb
PDU16-10DJ-AU	Black	TYPE 1 (Australia, New Zealand, China & Argentina)	2.5kg/5.51lb

Rack Lights

RADM-23 - 1U LED Rack Light



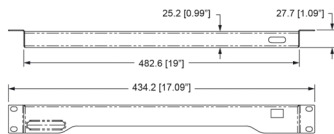
1U LED Rack Light for use in 19 inch equipment racks and can be fitted at the front or back of the rack.

- Cool White LED Strip (6500K)
- IP Rating 65 (moisture resistant)
- 12V DC Operation with Switch
- Universal PSU Supplied (CE & UL Approved)
- Material: Steel



Part No.	Finish	Description	Weight
RADM-23	Black	1U LED Rack Light	0.81kg/1.79lb

RADM-23C - 1U LED Multi Colour Rack Light



1U LED Multi Colour Rack Light for use in 19 inch equipment racks and can be fitted at the front or back of the rack. Colour and Pattern programming is via push buttons on the top of the case.

- 15 x RGB LED
- Beam Angle 120 degrees
- IP Rating 65 (moisture resistant)
- 12V DC Operation - 300mA
- 500mA universal PSU supplied

Part No.	Finish	Description	Weight
RADM-23C	Black	1U LED Multi Colour Rack Light	0.81kg/1.79lb

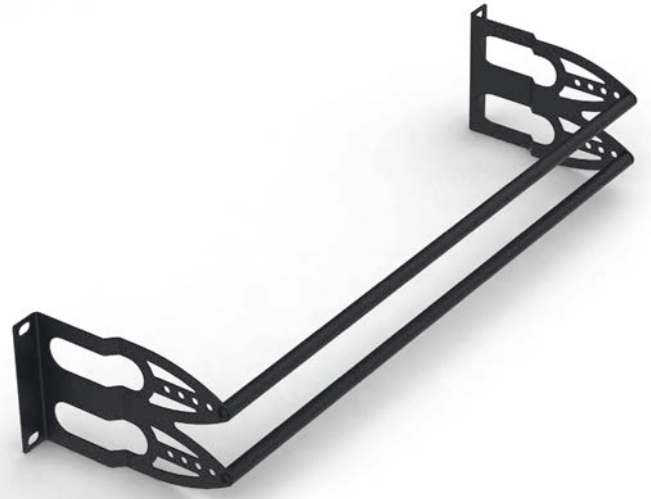
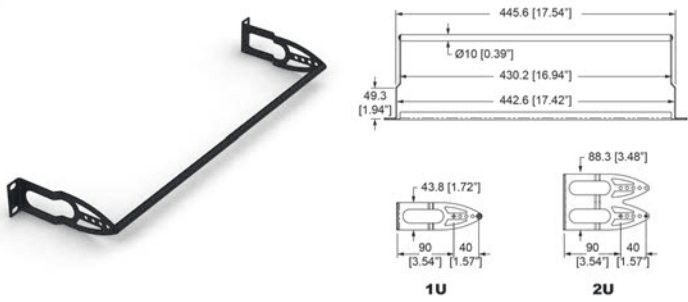


Scan to Watch
Our Video

Or Visit:

youtu.be/WJgjUjWssek

R1268/XU-CTB - Cable Tie / Lacer Bar Kits



The Mounting Brackets sit in between a Rack Panel and Rack Rail, which allow normal Rack Panels to be converted for cable management.

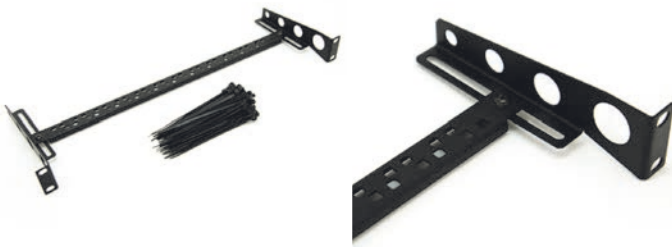
These Cable Tie / Lacing Bars can be fitted to any rack panel:

- The 1U fits into 1U Panels
- The 2U works with 2U and 3U Panels

Material: Steel

Part No.	Description	Size (U)	Weight
R1268/1U-CTB	Cable Tie Bar Kit	1U	0.16kg/0.35lb
R1268/2U-CTB	Cable Tie Bar Kit	2U	0.32kg/0.71lb

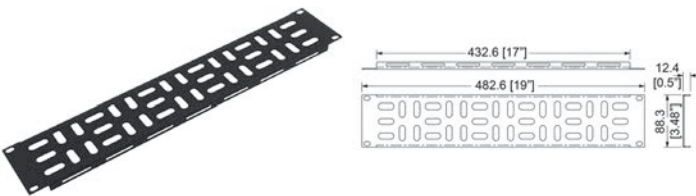
R1320



Cable Support Rack Bar with Depth-Adjustable Lacer Bar. Comes with 100 Pack of Cable Ties.

Part No.	Finish	U Size
R1320/1UK	Black	1U

R1317 - Lacer Panel

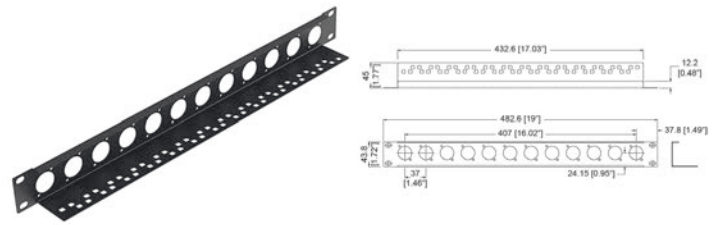


2U Horizontal Lacer Panel with a Matrix of Holes. Perfectly suited for neatly tying off leads and cables in a rack.

Material: 1.5mm / 16 gauge Steel

Part No.	Finish	Description
R1317	Black	2U Horizontal Lacer Panel

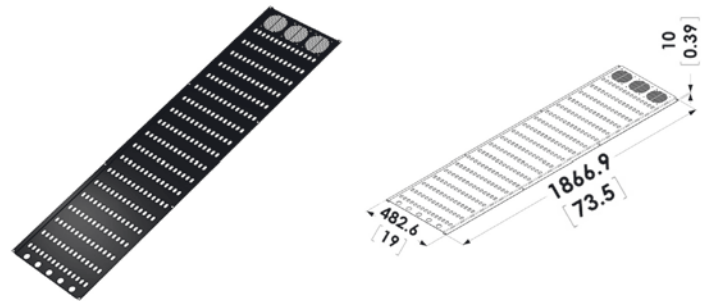
R1269 CTF



1U Rack Panel with Integral Cable Support.

Part No.	Finish	Description
R1269/1UK/12CTF	Black	Punched for 12 D-Series Connectors

R1242



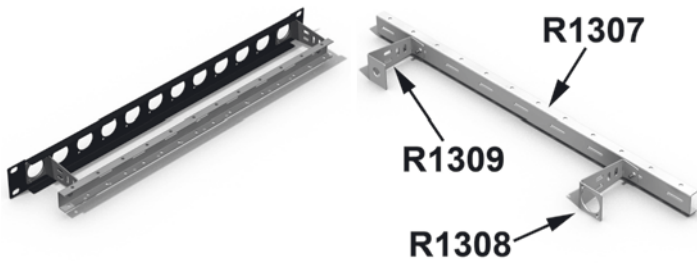
42U Rack Mount Cable Management Tray. Includes Cable Distribution Holes and 3 Fan Vents.

Material: 1.2mm / 18 gauge Steel

Part No.	Finish
R1242K	Black

R1307 - R1309

Cable Supports and Lacing Strip for 19" Rack Panels.
 R1308 is Threaded to M3 for easy fitting of Neutrik D-Series Connectors (XLR, Speakon, RJ45, etc.)
 R1308 and R1309 can be used individually as Cable Supports or with R1307 Lacing Strip.
 Works with any panels punched for XLRs or Jacks.

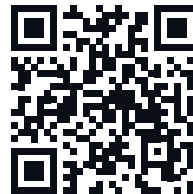


Material: 1.0mm / 20 gauge Steel

Part No.	Finish	Description
R1307	Zinc	Lacing Strip
R1308	Zinc	Cable Support for XLR
R1309	Zinc	Cable Support for Jack

R1311

19" Rack Mount Cable Support / Tie-Bar



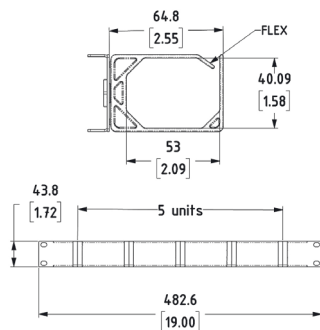
Scan to Watch
Our Video

Or Visit:
youtu.be/UlekCQgRSbE

Material: Steel

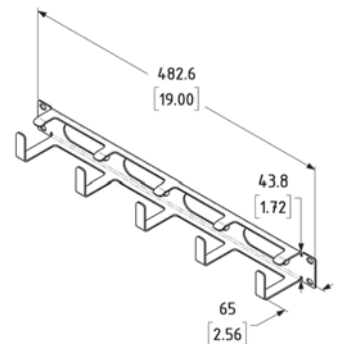
Part No.	Finish	Depth (D)	Weight
R1311	Black	12.4mm / 1/2"	0.11kg/0.25lb
R1311-1A	Black	51mm / 2.01"	0.14kg/0.3lb
R1311-2A	Black	92mm / 3.62"	0.15kg/0.32lb
R1311-3A	Black	133mm / 5.24"	0.16kg/0.35lb

CMP-1U



1U Panel with 5 Plastic Rings for Cable Management.

R1285-CMP



1U Panel with 5 Steel Rings for Cable Management

Material: 2mm Steel

Part No.	Finish	Size (U)	Description
CMP-1U	Black	1U	19" Ring Cable Manager

Part No.	Finish	Description	Weight
R1285-CMP-1U	Black	1U	0.41kg/0.9lb

SHOCK MOUNT SYSTEMS



P. 34

RACK RAILS



P. 40

SHELF SUPPORTS



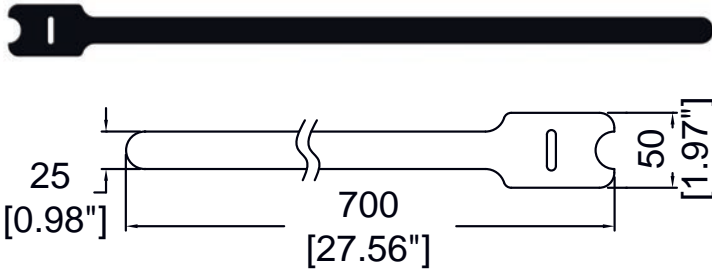
P. 59

RACK DRAWERS



P. 61

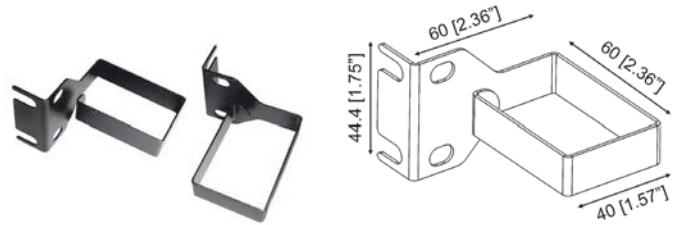
T1560



Cable Ties with Hook and Loop Fastening Strips

Part No.	Finish	Width	Length
T1560-700	Black	25mm / 1"	700mm / 27.56"

CM01R



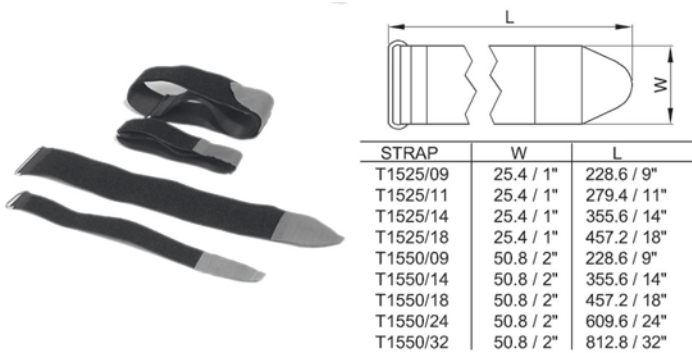
1U Vertical Cable Retaining Clip (Sold as a Pair)

Material: Steel

Part No.	Finish	Description
CM01R	Black	Cable Retaining Clip

T1525-T1550

Cable Ties with Hook and Loop Fastening Strips



Material: Nylon

25.4mm / 1" Wide

Part No.	Length (L)	Width (W)	Weight
T1525/09	228.6mm / 9"	25.4mm / 1"	50g/1.76oz
T1525/11	279.4mm / 11"		
T1525/14	355.6mm / 14"		
T1525/18	457.2mm / 18"		

50.8mm / 2" Wide

Part No.	Length (L)	Width (W)	Weight
T1550/09	228.6mm / 9"	50.8mm / 2"	50g/1.76oz
T1550/14	355.6mm / 14"		
T1550/18	457.2mm / 18"		
T1550/24	609.6mm / 24"		
T1550/32	812.8mm / 32"		

CBT - Penn Elcom Cable Ties

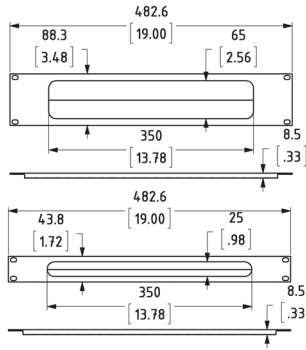
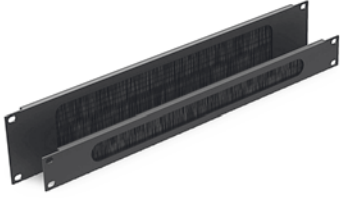
Packs of 100 Penn Elcom Cable Ties



Material: Plastic

Part No.	Finish	Description	Dimensions
CBT011	Black	Cable Ties 100 Pack	100mm x 2.5mm / 3.94" x 3/32"
CBT002	Black	Cable Ties 100 Pack	140mm x 3.6mm / 5.51" x 1/8"
CBT012		Cable Ties 100 Pack	100mm x 3.6mm / 3.94" x 1/8"
CBT004		Cable Ties 100 Pack	200mm x 3.6mm / 7.87" x 1/8"
CBT005	Cable Ties 100 Pack	295mm x 3.6mm / 11.61" x 1/8"	
CBT003	Black	Cable Ties 100 Pack	160mm x 4.8mm / 6.3" x 3/16"
CBT006	Black	Cable Ties 100 Pack	300mm x 4.8mm / 11.81" x 3/16"
CBT009		Cable Ties 100 Pack	430mm x 4.8mm / 16.93" x 3/16"
CBT007		Cable Ties 100 Pack	290mm x 7.6mm / 11.42" x 5/16"
CBT008	Black	Cable Ties 100 Pack	370mm x 7.6mm / 14.57" x 5/16"
CBT010		Cable Ties 100 Pack	500mm x 7.6mm / 19.69" x 5/16"

R1268 1U-2U PBS



Rack Panel with Cable Access Slot and Brushes.
New and improved design with extruded aluminum body.

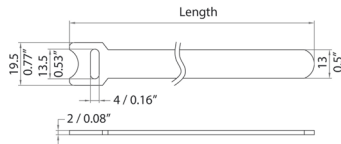
Material: Aluminium

Part No.	Finish	Size (U)	Weight
R1268/1UK-PBS	Black	1U	0.22kg/0.5lb
R1268/1UG-PBS	Grey	1U	0.22kg/0.5lb
R1268/2UK-PBS	Black	2U	0.29kg/0.63lb
R1268/2UG-PBS	Grey	2U	0.29kg/0.63lb



Scan to Watch
Our Video

Or Visit:
youtu.be/MGGuCF7NgQ4



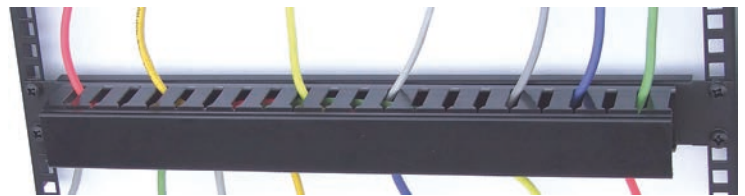
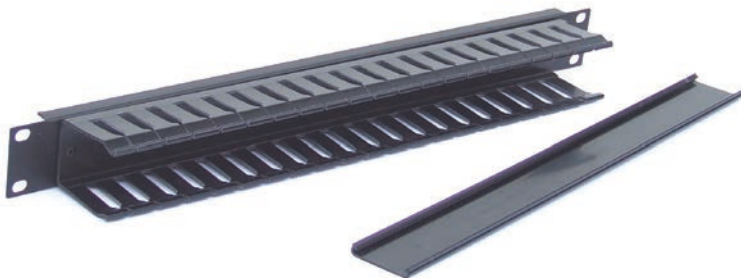
T1513 - Hook and Loop Cable Ties

Cable Ties with Hook and Loop Fastening Strips
2 lengths available:
200mm / 7.87" and 300mm / 11.81"

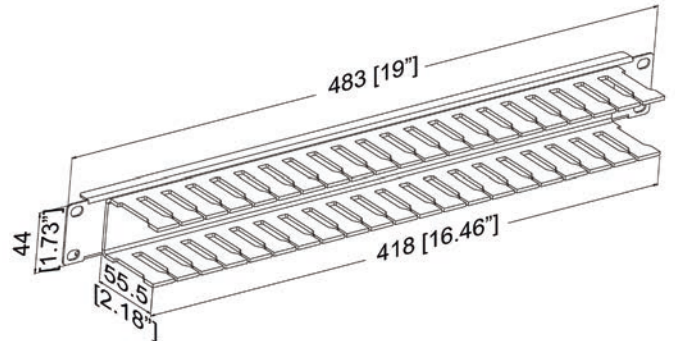
Part No.	Finish	Length (L)
T1513/200	Black	200mm / 7.87"
T1513/200B	Blue	200mm / 7.87"
T1513/200R	Red	200mm / 7.87"
T1513/200G	Green	200mm / 7.87"
T1513/200Y	Yellow	200mm / 7.87"

Part No.	Finish	Length (L)
T1513/300	Black	300mm / 11.81"
T1513/300B	Blue	300mm / 11.81"
T1513/300R	Red	300mm / 11.81"
T1513/300G	Green	300mm / 11.81"
T1513/300Y	Yellow	300mm / 11.81"

CMP-SD

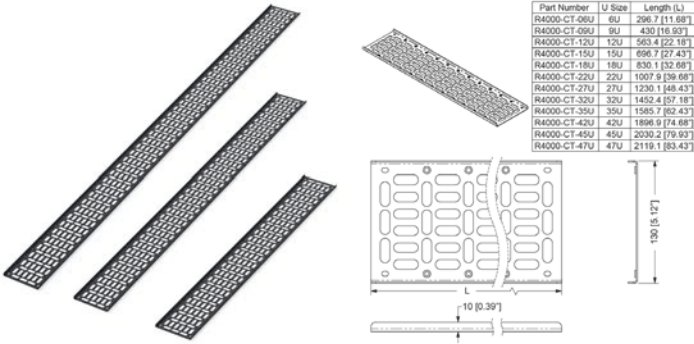


1U Cable Management Slotted Duct with Cover.
A neat solution to cross patch wiring looms.



Part No.	Finish	Description
CMP-SD	Black	1U with Black Plastic Slotted Duct
CMP-SD-2U	Black/Grey	2U with Grey Plastic Slotted Duct NEW!

100 - Cable Management



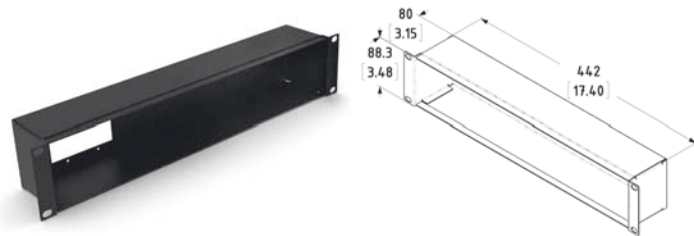
R4000-CT **NEW!**

Vertical cable management tray suitable for R4000 and R5000 server racks

Material: 1.5mm / 16 gauge Steel

Part No.	Finish	Description
R4000-CT-06UK	Black	R4000 Cable Tray 6U Black
R4000-CT-06UW	White	R4000 Cable Tray 6U White
R4000-CT-09UK	Black	R4000 Cable Tray 9U Black
R4000-CT-09UW	White	R4000 Cable Tray 9U White
R4000-CT-12UK	Black	R4000 Cable Tray 12U Black
R4000-CT-12UW	White	R4000 Cable Tray 12U White
R4000-CT-18UK	Black	R4000 Cable Tray 18U Black
R4000-CT-18UW	White	R4000 Cable Tray 18U White
R4000-CT-22UK	Black	R4000 Cable Tray 22U Black
R4000-CT-22UW	White	R4000 Cable Tray 22U White
R4000-CT-27UK	Black	R4000 Cable Tray 27U Black
R4000-CT-27UW	White	R4000 Cable Tray 27U White
R4000-CT-32UK	Black	R4000 Cable Tray 32U Black
R4000-CT-32UW	White	R4000 Cable Tray 32U White
R4000-CT-35UK	Black	R4000 Cable Tray 35U Black
R4000-CT-35UW	White	R4000 Cable Tray 35U White
R4000-CT-37UK	Black	R4000 Cable Tray 37U Black
R4000-CT-37UW	White	R4000 Cable Tray 37U White
R4000-CT-42UK	Black	R4000 Cable Tray 42U Black
R4000-CT-42UW	White	R4000 Cable Tray 42U White
R4000-CT-45UK	Black	R4000 Cable Tray 45U Black
R4000-CT-45UW	White	R4000 Cable Tray 45U White
R4000-CT-47UK	Black	R4000 Cable Tray 47U Black
R4000-CT-47UW	White	R4000 Cable Tray 47U White

Rack & Stage Boxes



Rack Panel Back Box

Back Box for Rack Panels.

Available plain or punched for two 1Mod x 2U MSB or one 2Mod x 2U MSB e.g. 20201-20 and 20718-20 or 20720-20

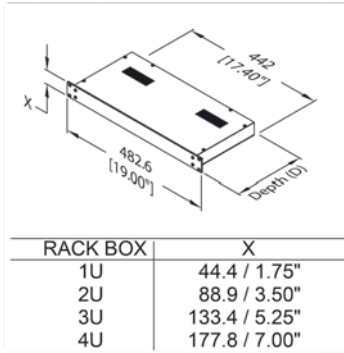
Material: 1.2mm / 18 gauge Steel

Plain

Part No.	Finish	Description
R2680-2U	Black	Plain
R2680-3U	Black	Plain
R2680-4U	Black	Plain
R2680-5U	Black	Plain

Punched

Part No.	Finish	Description
R2681-2U	Black	Punched for 2 Mod x 2U MSB



R2100 - R2110 - Rack box

Rack box with a 3mm / 1/8" Aluminium Front Panel, and Vented Top. Black with choice of Black or Anodised Silver Front Panel.

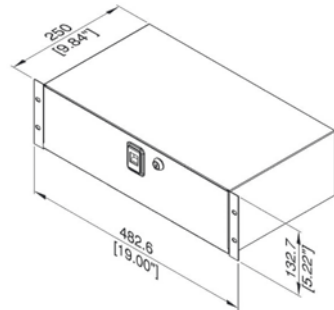
Material: 1.2mm / 18 gauge Steel

220mm / 8.66" Deep

Part No.	Size	Front Panel	Depth (D)	Weight
R2100/1UK	1U	Black	220mm / 8.66"	2.52kg/5.56lb
R2100/1US		Anodised Silver		
R2100/2UK	2U	Black	220mm / 8.66"	3.63kg/8lb
R2100/2US		Anodised Silver		
R2100/3UK	3U	Black	220mm / 8.66"	4.95kg/10.91lb
R2100/3US		Anodised Silver		
R2100/4UK	4U	Black	220mm / 8.66"	5.59kg/12.32lb
R2100/4US		Anodised Silver		

300mm / 11.81" Deep

Part No.	Size	Front Panel	Depth (D)	Weight
R2110/1UK	1U	Black	300mm / 11.81"	3.51kg/7.74lb
R2110/1US		Anodised Silver		
R2110/2UK	2U	Black	300mm / 11.81"	4.79kg/10.56lb
R2110/2US		Anodised Silver		
R2110/3UK	3U	Black	300mm / 11.81"	5kg/11.02lb
R2110/3US		Anodised Silver		
R2110/4UK	4U	Black	300mm / 11.81"	6.19kg/13.65lb
R2110/4US		Anodised Silver		

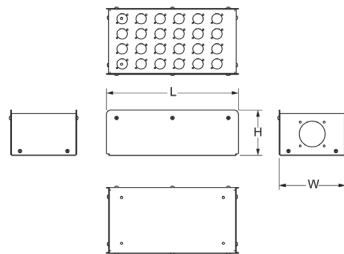
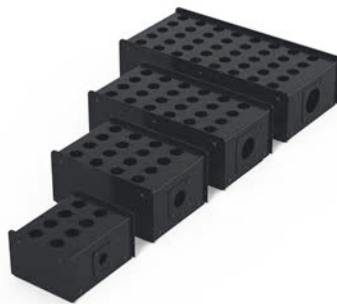


R1380 - Rack Vault

Lockable Rack Box with Hinged Door. Black Powder Coated.

Material: Steel

Part No.	Size (U)	Weight
R1380/2UK	2U	3.21kg/7.08lb
R1380/3UK	3U	3.8kg/8.38lb
R1380/4UK	4U	3.85kg/8.5lb



R2350 - Stage Box

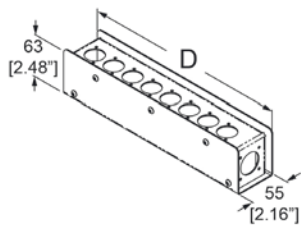
Stage Box punched for Neutrik D-Series Connectors (XLR, Speakon, RJ45, etc.)

Can be fitted with a Multi-Pin Connector or a Cable Gland (with R2350-CG (p.102) Adaptor Plate). Black Powder Coated.

Material: 1.5mm / 16 gauge Steel

Part No.	Description	Connector	Cable Gland	Length (L)	Height (H)	Width (W)	Weight
R2350-08	8 Hole	25 Pin	M20	130mm / 5.12"	90mm / 3.54"	153mm / 6.02"	1.08kg/2.37lb
R2350-12	12 Hole	37 Pin	M25	174mm / 6.85"	90mm / 3.54"	153mm / 6.02"	1.4kg/3.09lb
R2350-16	16 Hole	54 Pin	M32	218mm / 8.58"	105mm / 4.13"	153mm / 6.02"	1.74kg/3.84lb
R2350-20	20 Hole	85 Pin	M40	262mm / 10.31"	105mm / 4.13"	153mm / 6.02"	2kg/4.41lb
R2350-24	24 Hole	85 Pin	M40	306mm / 12.05"	105mm / 4.13"	153mm / 6.02"	1.97kg/4.35lb
R2350-28	28 Hole	85 Pin	M40	350mm / 13.78"	105mm / 4.13"	153mm / 6.02"	2.16kg/4.77lb
R2350-32	32 Hole	150 Pin	M40	394mm / 15.51"	105mm / 4.13"	153mm / 6.02"	2.5kg/5.51lb
R2350-36	36 Hole	150 Pin	M40	438mm / 17.24"	105mm / 4.13"	153mm / 6.02"	2.97kg/6.55lb
R2350-40	40 Hole	150 Pin	M40	394mm / 15.51"	105mm / 4.13"	188mm / 7.4"	3kg/6.61lb
R2350-48	48 Hole	150 Pin	M50	394mm / 15.51"	105mm / 4.13"	223mm / 8.78"	2.93kg/6.45lb

102 - Rack & Stage Boxes



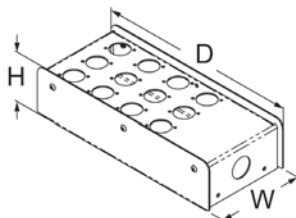
R2340 - Stage boxes

Stage boxes punched for Neutrik D-series connectors.
 Can be fitted with a multi-pin connector or cable gland (with adaptor plate).
 Black Powder coated.
 Stage boxes are also available prefilled with your choice of connectors.

Part No.	Finish	Description	Depth	Width	Height	Connector/ Cable Gland
R2340-08	Black	8 Channel Stage Box	265mm / 10.43"	55mm / 2.17"	63mm / 2.48"	13 Pin
R2340-12	Black	12 Channel Stage Box	380mm / 14.96"	55mm / 2.17"	63mm / 2.48"	13 Pin

R2345 - Stage boxes

Stage boxes punched for Neutrik D-series connectors.
 Can be fitted with a multi-pin connector or cable gland (with adaptor plate).
 Black Powder coated.
 Stage boxes are also available prefilled with your choice of connectors.

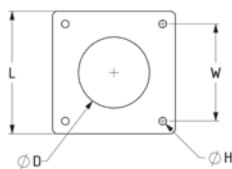
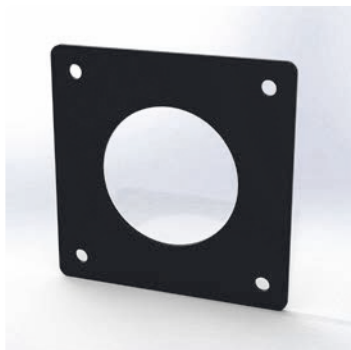


Finish: Black

Part No.	Description	Depth (D)	Width (W)	Height (H)	Connector/ Cable Gland
R2345-06	6 Channel Stage Box	160mm / 6.3"	113mm / 4.45"	65mm / 2.56"	M20
R2345-12	12 Channel Stage Box	260mm / 10.24"	113mm / 4.45"	65mm / 2.56"	M25
R2345-16	16 Channel Stage Box	260mm / 10.24"	153mm / 6.02"	65mm / 2.56"	M32
R2345-20	20 Channel Stage Box	310mm / 12.2"	153mm / 6.02"	65mm / 2.56"	M40
R2345-24	24 Channel Stage Box	260mm / 10.24"	223mm / 8.78"	65mm / 2.56"	2 x 37 Pin
R2345-28	28 Channel Stage Box	260mm / 10.24"	258mm / 10.16"	65mm / 2.56"	2 x 37 Pin
R2345-32	32 Channel Stage Box	260mm / 10.24"	293mm / 11.54"	65mm / 2.56"	2 x 37 Pin
R2345-36	36 Channel Stage Box	355mm / 13.98"	223mm / 8.78"	65mm / 2.56"	2 x 37 Pin
R2345-40	40 Channel Stage Box	310mm / 12.2"	293mm / 11.54"	85mm / 3.35"	2 x 85/100/150 Pin
R2345-48	48 Channel Stage Box	355mm / 13.98"	293mm / 11.54"	85mm / 3.35"	2 x 85/100/150 Pin

R2350-CG - Adaptor Plate

Cable Gland Adaptor Plate for R2350 (p.101) Stage Boxes



Part Number	L	W	H	D
R2350-CG-01	45	34.9	3.7	20.5
R2350-CG-02	50	39.7	3.7	25.5
R2350-CG-03	60	44.5	4.3	32.5
R2350-CG-04	70	55.5	4.3	40.5
R2350-CG-05	70	55.5	4.3	50.5
R2350-CG-06	60	44.5	4.3	25.5

Material: 1.5mm / 16 gauge Steel

Finish: Black

Part No.	For Cable Gland	Fits Connector Hole for
R2350-CG-01	M20	25 Pin
R2350-CG-02	M25	37 Pin
R2350-CG-06	M25	54 Pin
R2350-CG-03	M32	54 Pin
R2350-CG-04	M40	85/100/150 Pin
R2350-CG-05	M50	85/100/150 Pin

Wall Mount BracketS for AV Equipment

Wall Mount Bracket for SONOS CONNECT - WB-ZP90

**SONOS
CONNECT**



WB-ZP90-W

Finish: Gloss White

WB-ZP90-B

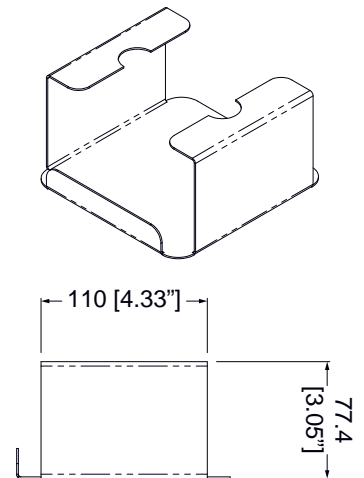
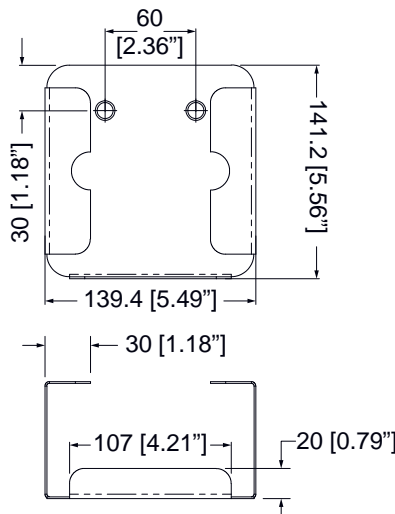
Finish: Solar Black

WB-ZP90 for SONOS CONNECT

Width:	139.4 / 5.49"
Height:	141.2 / 5.56"
Depth:	77.4 / 3.05"
Weight:	0.5Kg / 1.1Lb
Mounting Holes	
Countersink:	Ø 13 / 0.51"
Holes:	Ø 10.6 / 0.42"

Hook & loop tape is also supplied for quick and easy installation.

Load Capacity with Hook & Loop Tape:
5Kg / 11Lb



Wall Mount Bracket for SONOS CONNECT:AMP - WB-ZP120

**SONOS
CONNECT:AMP**



WB-ZP120-W

Finish: Gloss White

WB-ZP120-B

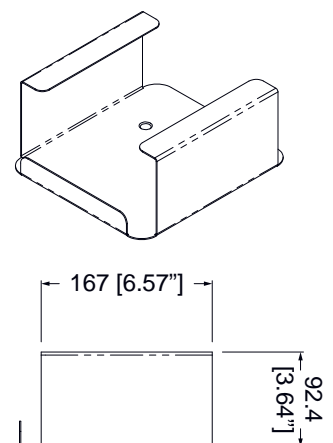
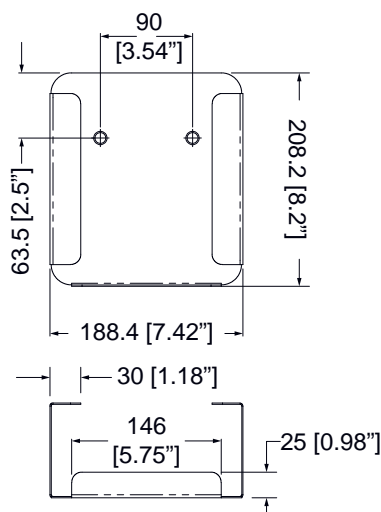
Finish: Solar Black

WB-ZP120 for SONOS CONNECT:AMP

Width:	188.4 / 7.42"
Height:	208.2 / 8.2"
Depth:	92.4 / 3.64"
Weight:	0.8Kg / 1.76Lb
Mounting Holes	
Countersink:	Ø 13 / 0.51"
Holes:	Ø 10.6 / 0.42"

Hook & loop tape is also supplied for quick and easy installation.

Load Capacity with Hook & Loop Tape:
5Kg / 11Lb



Wall Mount Bracket for SONOS AMP - WB-SONAMP

**SONOS
AMP**



WB-SONAMP-K
Finish: Solar Black



WB-SONAMP-W
Finish: Gloss White

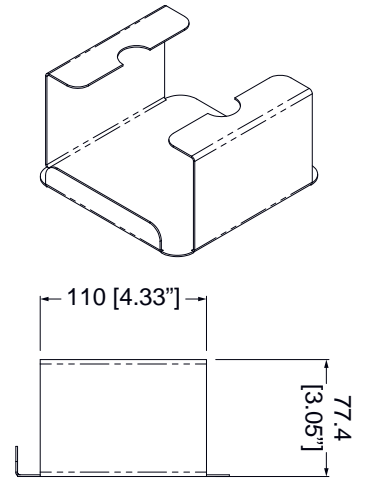
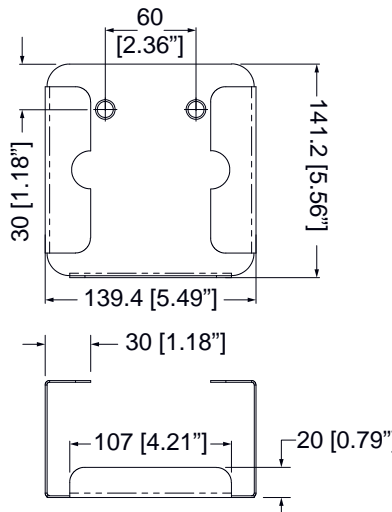


WB-SONAMP for SONOS AMP

Width:	221.4 / 8.72"
Height:	217 / 8.54"
Depth:	67.4 / 2.65"
Weight:	0.89kg / 1.96lb
Mounting Holes	
Countersink:	Ø 7.7 / 0.3"
Holes:	Ø 5.7 / 0.22"

Hook & loop tape is also supplied for quick and easy installation.

Load Capacity with Hook & Loop Tape:
5Kg / 11Lb



Wall Mount Bracket for Apple TV (4th generation) and Apple TV 4K

Apple tv



WB-ATVG4
Finish: Solar Black



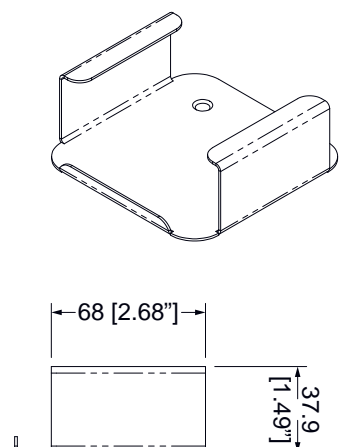
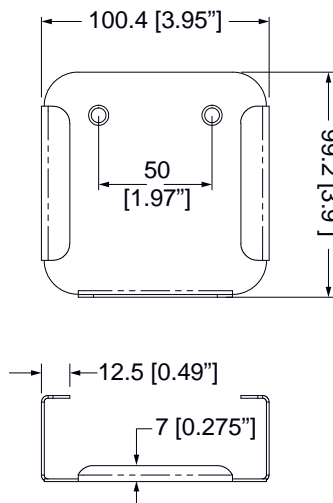
WB-ATVG4-W
Finish: Gloss White

WB-ATVG4 for Apple TV (4th generation) and Apple TV 4K

Width:	100.4 / 3.95"
Height:	99.2 / 3.9"
Depth:	37.9 / 1.49"
Weight:	0.5Kg / 1.1Lb
Mounting Holes	
Countersink:	Ø 8.5 / 0.33"
Holes:	Ø 6.5 / 0.25"

Hook & loop tape is also supplied for quick and easy installation.

Load Capacity with Hook & Loop Tape:
5Kg / 11Lb



Wall Mount Bracket for Amazon Fire TV

amazon fire TV



WB-AMAZON-FB
Finish: Solar Black



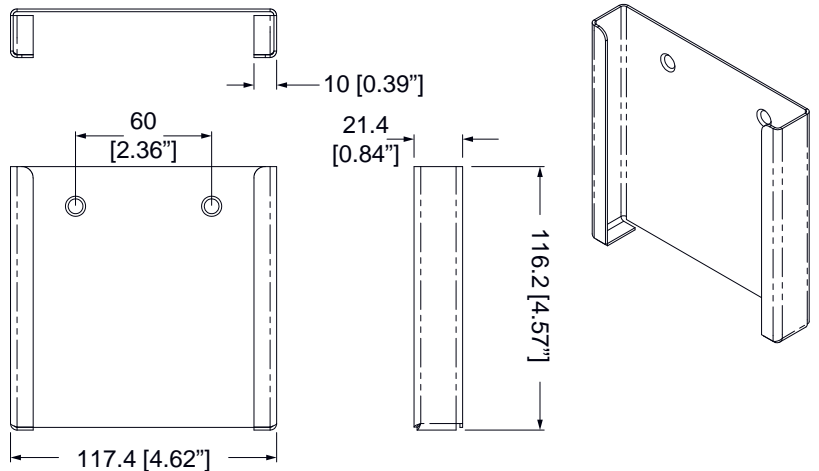
WB-AMAZONFB-W
Finish: Gloss White

WB-AMAZONFB for Amazon Fire TV

Width:	117.4 / 4.62"
Height:	116.2 / 4.57"
Depth:	21.4 / 0.84"
Weight:	0.5Kg / 1.1Lb
Mounting Holes	
Countersink:	Ø 8.5 / 0.33"
Holes:	Ø 6.5 / 0.25"

Hook & loop tape is also supplied for quick and easy installation.

Load Capacity with Hook & Loop Tape: 5Kg / 11Lb



Wall Mount Bracket for Sky Q Mini Box - WB-SKYQMB



WB-SKYQMB-B
Finish: Solar Black



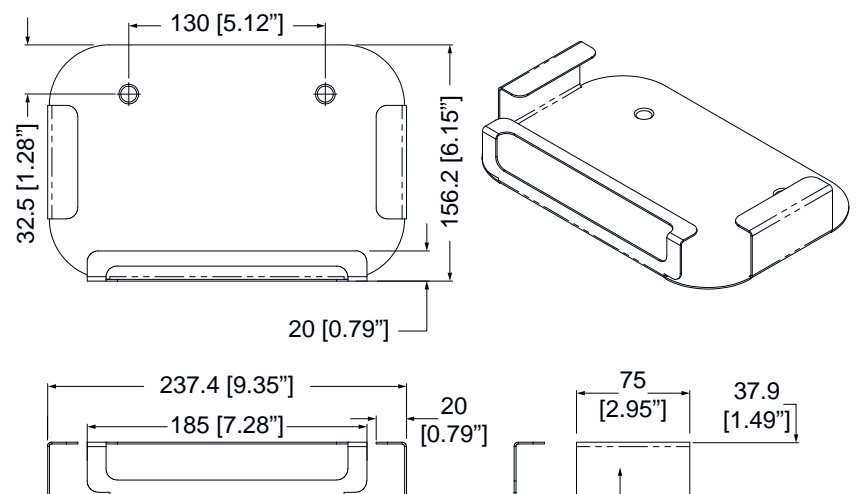
WB-SKYQMB-W
Finish: Gloss White

WB-SKYQMB for Sky Q Mini Box

Width:	237.4 / 9.35"
Height:	156.2 / 6.15"
Depth:	37.9 / 1.49"
Weight:	0.5Kg / 1.1Lb
Mounting Holes	
Countersink:	Ø 13 / 0.51"
Holes:	Ø 10.6 / 0.42"

Hook & loop tape is also supplied for quick and easy installation.

Load Capacity with Hook & Loop Tape: 5Kg / 11Lb



Wall Mount Bracket for Sky Q 1TB Box - WB-SKYQ



WB-SKYQMB for Sky Q Mini Box



WB-SKYQ-B
Finish: Solar Black

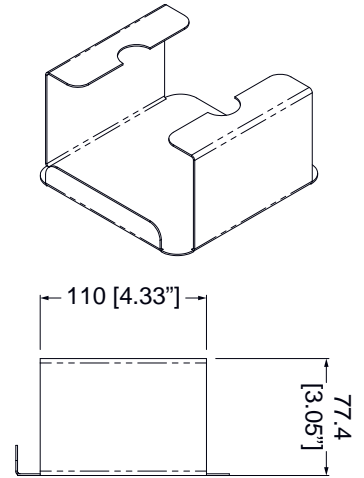
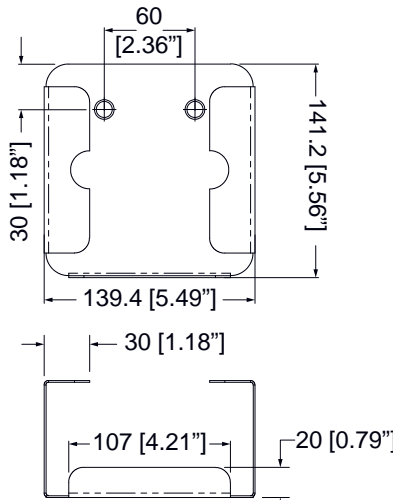


WB-SKYQ-W
Finish: Gloss White

Width:	332.4 / 13.09"
Height:	211.2 / 8.31"
Depth:	46.4 / 1.83"
Weight:	0.5Kg / 1.1Lb
Mounting Holes	
Countersink:	Ø 7.5 / 0.3"
Holes:	Ø 5.5 / 0.22"

Hook & loop tape is also supplied for quick and easy installation.

Load Capacity with Hook & Loop Tape: 5Kg / 11Lb



Wall Mount Bracket for Sky Q 2TB Box - WB-SKYQ2TB



WB-SKYQMB for Sky Q Mini Box



WB-SKYQ2TB-B
Finish: Solar Black

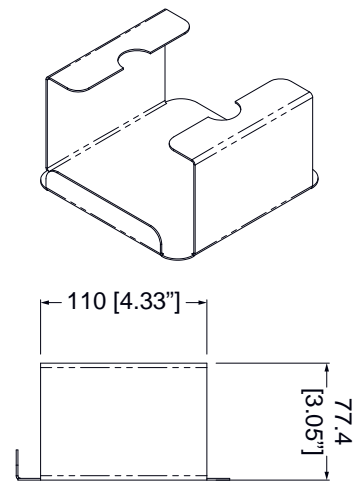
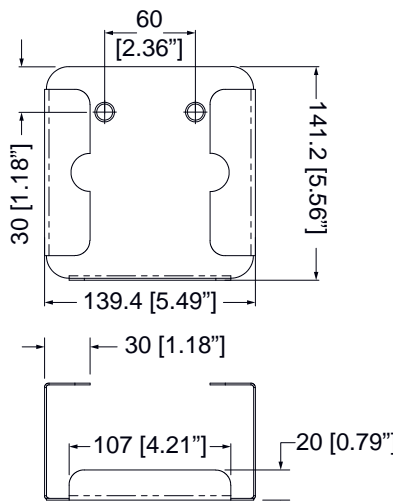


WB-SKYQ2TB-W
Finish: Gloss White

Width:	349.4 / 13.75"
Height:	211.2 / 8.31"
Depth:	46.4 / 1.83"
Weight:	0.5Kg / 1.1Lb
Mounting Holes	
Countersink:	Ø 7.5 / 0.3"
Holes:	Ø 5.5 / 0.22"

Hook & loop tape is also supplied for quick and easy installation.

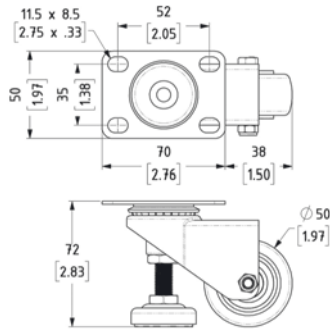
Load Capacity with Hook & Loop Tape: 5Kg / 11Lb



Scan to Watch
Our Video

Or Visit:

youtu.be/I2F74LX_DuU



W0950 - Castor with Integrated Adjuster Foot

50mm / 1.97" castor with integrated adjuster foot

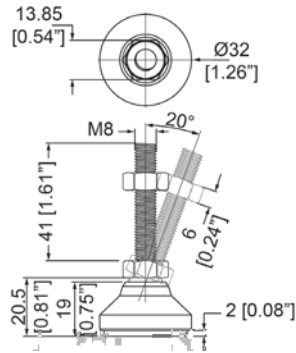
Carrying Weight per Wheel: 50kg/110.23lb

- Allows for fluid movement and height adjustments because the wheel and foot are built into the same part
- Freely adjust the height of equipment by raising or lowering the hex nut with a wrench
- Wheel castors operate to assist with moving equipment of heavy loads comfortably and safely

Material: Steel Housing / Rubber Wheel

Part No.	Finish	Description	Weight
W0950Z	Zinc	50mm / 1.97" Castor/Foot	0.37kg/0.82lb

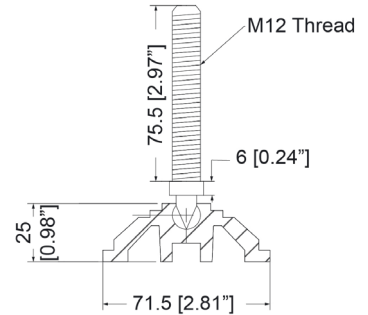
F3000



Set of 4 Steel Adjuster Feet with M8 thread for Rack Enclosures. Use with **R8230** (p.20) Open Tower Rack System, **R2020** (p.15) Modular Rack Tower, **R8200** (p.18) Open Rack Tower System, **R8400 - R8500** (p.10) Flat Pack Rack System, **R6400** (p.21) and **R6600** (p.23) Wall Mount Racks.

Part No.	Description	Weight
F3000	Set of 4 Adjuster Feet	0.36kg/0.8lb

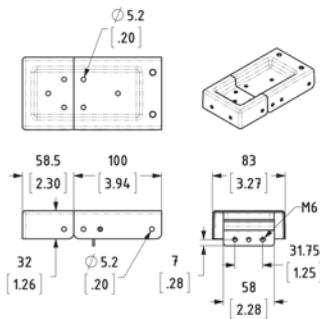
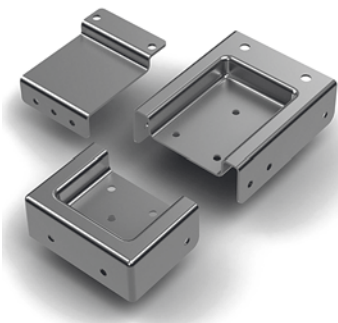
R8295



Set of 4 Adjuster Feet with M12 thread. Adds from 30mm / 1.18" (min) to 95mm / 3.74" (max) Use with our Server Rack Enclosures (**R4006** (p.5) , **R5006** (p.6) , **R4008** (p.7) and **R5008** (p.8)) and **R8200** (p.18) Open Rack Tower System.

Part No.	Description	Weight
R8295	Set of 4 Adjuster Feet with M12 thread. Adds from 30mm / 1.18" (min) to 95mm / 3.74" (max)	50g/1.76oz

RMS1 - 1U Steel Rack Maker

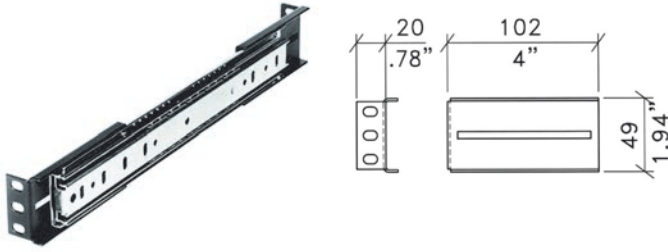


1U Steel Rack Maker, for making 1U Rack Cases. Functions as a Dish, Corners and Braces. Includes a 1U Rack Mount Bracket, Threaded for M6 Rack Screws. Works with L0565 Latch and F0698 Stacking Foot. Material: Steel

Part No.	Finish	Description
RMS1	Zinc	1U Rack Maker



R1209/01

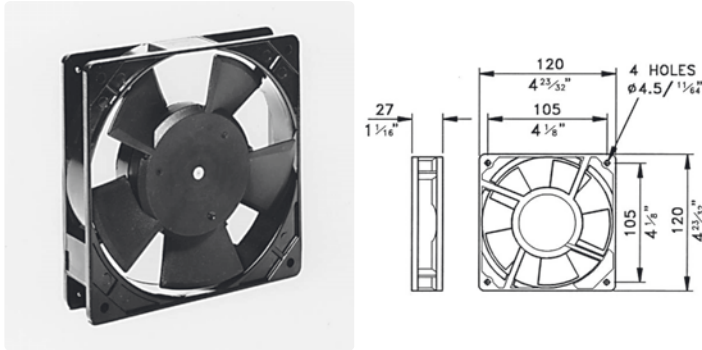


Bracket for Rack Mounting Drawer Slides.
Suits R2410Z - R2428Z Drawer Slides (not Included).

Material: 1.5mm / 16 gauge Steel

Part No.	Weight
R1209/01	76g/2.68oz

P1800

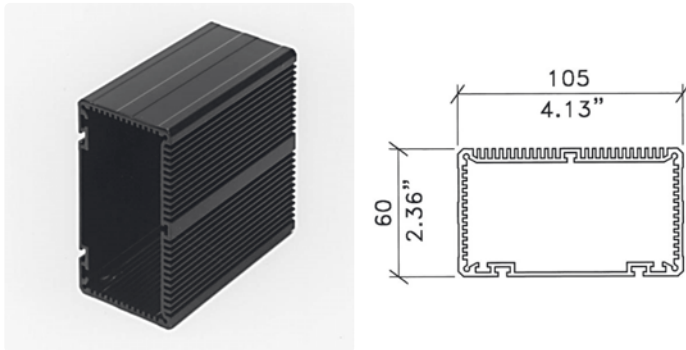


Cooling Fan 210/240v 50/60Hz 14.5/12.5W 2200/2400 RPM Impedance Protected

Material: Cast Alloy/Plastic

Part No.	Weight
P1800	0.4kg/0.89lb

R1197



3U All-Purpose Heat Sink Box.
Suitable for electronic applications - P.C. Mounts/D.I.
Available in Custom Lengths.

Material: Aluminium

Heat Sink Box

Part No.	Finish	Length	Weight
R1197/100	Black	100mm / 3.94"	0.27kg/0.6lb
R1197/200	Black	200mm / 7.87"	0.54kg/1.19lb

Endplate

Part No.	Finish	Length	Weight
R1199	Black	End Plate	19g/0.67oz

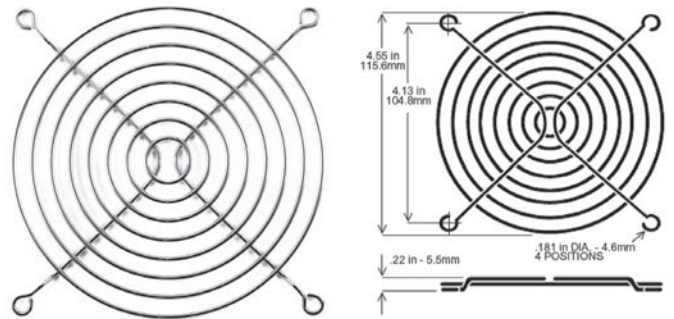
8700



110v Low Noise Cooling Fan - Sold in the USA Only
Aluminum Casing - Polycarbonate Impeller - Ball Bearings
Fan Cord sold separately

Part No.	Description
8700	Low Noise Cooling Fan
FAN CORD	Fan Power Cord

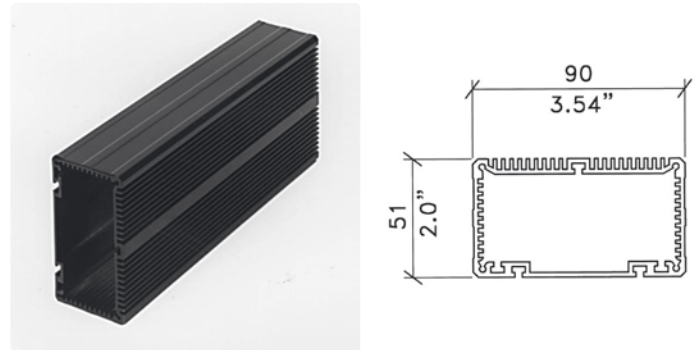
GUARD



114.3mm / 4.5" Diameter Fan Guard for P1800 (p.108) and 8700 (p.108) Fans

Part No.	Description
GUARD	Fan Guard

R1196



2U All-Purpose Heat Sink Box.
Suitable for electronic applications - P.C. Mounts/D.I. Boxes
Available in Custom Lengths.

Material: Aluminium

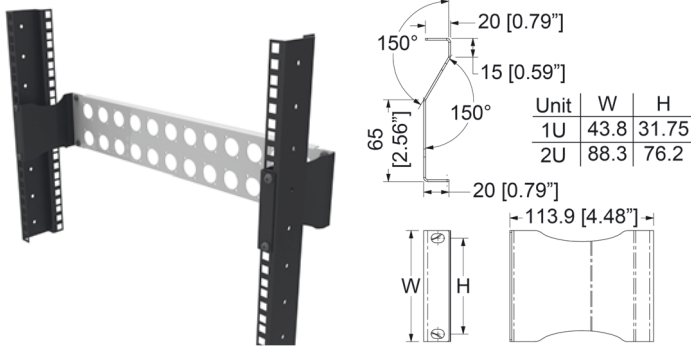
Heat Sink Box

Part No.	Finish	Length	Weight
R1196/100	Black	100mm / 3.94"	0.22kg/0.49lb
R1196/200	Black	200mm / 7.87"	0.45kg/0.98lb

Endplate

Part No.	Finish	Length	Weight
R1198	Black	Endplate	30g/1.06oz

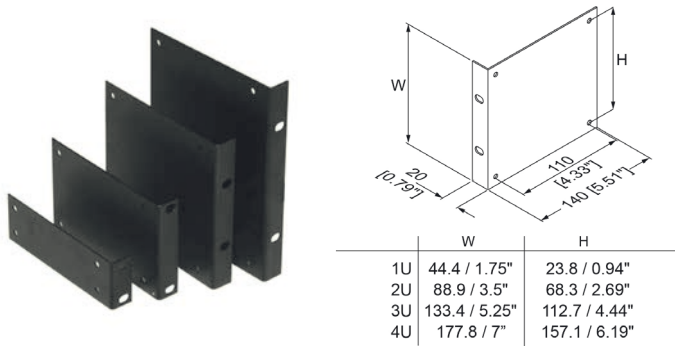
R1207



Rack Mount Offset Brackets
Allows to recess rack panels or rack mount equipment
Sold in pairs

Part No.	Finish	Description
R1207-1U	Black	1U Rack Mount Offset Brackets
R1207-2U	Black	2U Rack Mount Offset Brackets

R1206

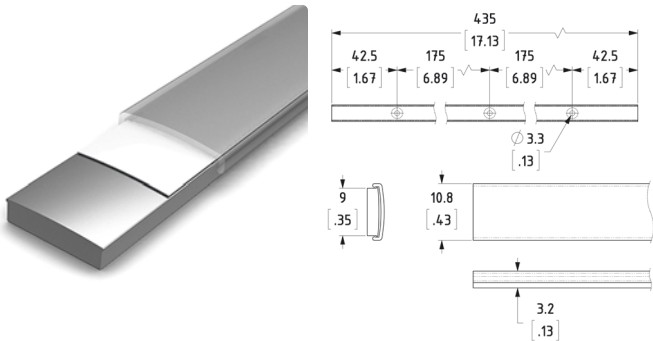


Rack Mounting Brackets, Black.
Sold individually

Material: 1.5mm / 16 gauge Steel

Part No.	Size (U)	Weight
R1206/1U	1U	82g/2.89oz
R1206/2U	2U	0.16kg/0.36lb
R1206/3U	3U	0.24kg/0.54lb
R1206/4U	4U	0.35kg/0.78lb

ID STRIP

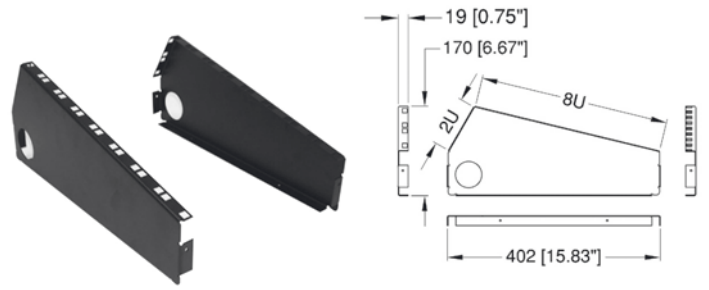


Self-Adhesive Ali/Plastic ID Strip.
Length: 435mm / 17.13"

Material: Ali/Plastic

Part No.	Description
ID-STRIP	Self Adhesive Plastic ID Strip

R2320

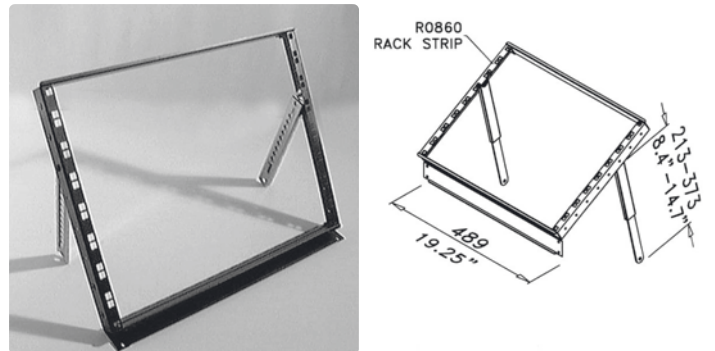


DJ Console Side Panels, 8U x 2U. Sold in pairs.

Material: Steel

Part No.	Weight
R2320	2.1kg/4.63lb

R2860-SET - R2821-SET



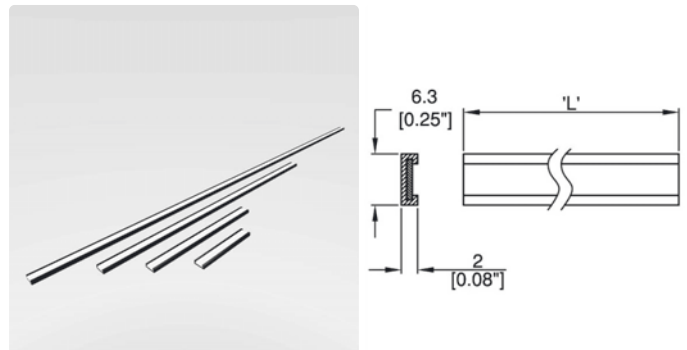
Tiltable Racking Frame.

For use with R0863 (p.41) or R0828 (p.40) Rack Strip (not included)
For Universal Rack Cage Nut Tool see part SX1100 (p.112)
Includes 2 x P1250-10 Ratchet Stays

Material: 1.5mm / 16 gauge Steel

Part No.	Description	Weight
R2821-SET	For R0828 Rack Strip	1.41kg/3.11lb
R2860-SET	For R0860 Rack Strip	1.45kg/3.2lb

96040-20 - 96216-20



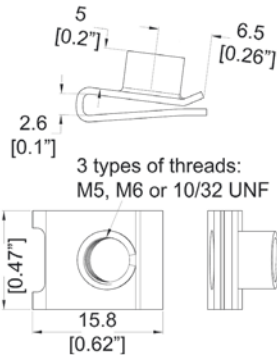
Self-Adhesive Label Holder.

Includes 457.2mm / 18" White Label Strip.

Material: Plastic

Part No.	Module	Length	Weight
96040-20	1U	40mm / 1.57"	5g/0.18oz
96084-20	2U	84mm / 3.31"	6g/0.21oz
96216-20	5U	216mm / 8.5"	6g/0.21oz

Clip Nuts



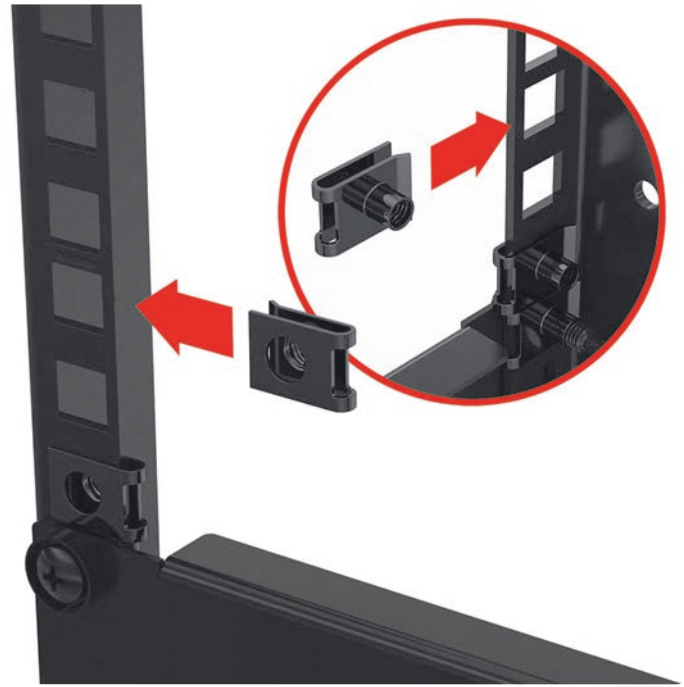
Scan to Watch Our Video

Or Visit: youtu.be/REvvQ65oAPE

New and innovative Clip Nuts for Rack Rails. Simply slides onto Rack Rail Square Holes, creating a Threaded Hole and eliminating the need for cage nuts. Keep your Rack Rail Threads from wearing with time. Fix broken Rail Threads. For up to 2mm/0.08" thick Rails.

Material: Steel

Part No.	Finish	Thread
P1032/UNFK	Black	10-32 UNF
PM5CNK	Black	M5
PM6CNK	Black	M6

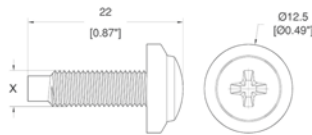


R0889Z

M6 Rack Screw Pack, which contains:
 25 x S1172 (p.112) M6 Cage Nuts for 2mm / 0.08" Rack Strips
 25 x S1940 (p.111) M6 Plastic Cup Washers
 25 x M6 Pozi Pan Head Screws (see below)

Material: Steel/Plastic

Part No.	Finish	Screw Size
R0889K-25/12MM	Black	M6 x 12mm / 1/2"
R0889Z-25/12MM	Zinc	
R0889K-25/20MM	Black	M6 x 20mm / 13/16"
R0889Z-25/20MM	Zinc	
R0889K-25/30MM	Black	M6 x 30mm / 1.18"
R0889Z-25/30MM	Zinc	



X: Available in M5, M6 and 10-32UNC

High Point Screws

High Point Screws. Easy insert into nuts due to their non-threaded ends. Each Screw comes with a Washer. Available in M5, M6 and 10/32"



Scan to Watch Our Video

Or Visit: youtu.be/uElk9o4P6Ks

Part No.	Finish	Description
S1032/HP	Black	10/32" High Point Screw with Plastic Washer included
SM6/HP		M6 High Point Screw with Plastic Washer included
SM5/HP		M5 High Point Screw with Plastic Washer included
S1032/HP/WA	Black	10/32" High Point Screw with Attached Plastic Washer
SM6/HP/WA		M6 High Point Screw with Attached Plastic Washer
S1032/HP/WA/100	Black	100 x 10/32" High Point Screws with Removable Plastic Washer Attached in Flip Top Container
SM6/HP/WA/100		100 x M6 High Point Screws with Removable Plastic Washer Attached in Flip Top Container

High Point Screws Container



100 x High Point Screws with Removable Plastic Washer Attached in Convenient Flip Top Container
Available with M6 and 10/32 Threads

Part No.	Finish	Description
S1032/HP/WA/100	Black	100 x 10/32" High Point Screws with Removable Plastic Washer Attached in Flip Top Container
SM6/HP/WA/100	Black	100 x M6 High Point Screws with Removable Plastic Washer Attached in Flip Top Container

M6 Rack Screws

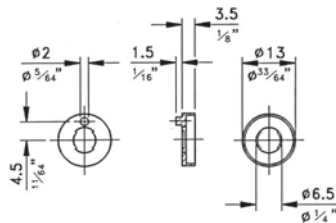


M6 x 12mm / 1/2" **Rack Screw**, Pozi-Drive Pan Head.

Material: Steel

Part No.	Finish	Description	Weight
S1045K	Black	M6	12mm / 1/2" 4.4g/0.16oz
S1045	Zinc	M6	12mm / 1/2" 4.4g/0.16oz

S1941

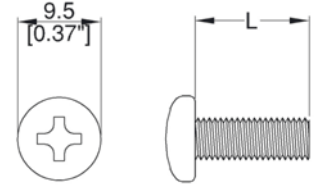


Slim **M6** Cup Washer with Anti-Rotation Peg.
Suitable for use in applications with limited space.

Material: Plastic

Part No.	Description	Weight
S1941	With Anti-Rotation Peg	1g/0.035oz

U5200 - U5205



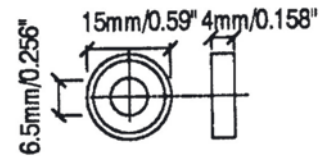
10/32 UNF **Rack Screws**

Mates with **R0828** (p.40)
Phillips Pan Head.
Sold in packs of 25 pieces.

Material: Steel

Part No.	Finish	Length (L)	Weight
U5200	Black	13mm / 1/2"	2g/0.071oz
U5200Z	Zinc	13mm / 1/2"	2g/0.071oz
U5205	Black	19mm / 3/4"	3g/0.11oz

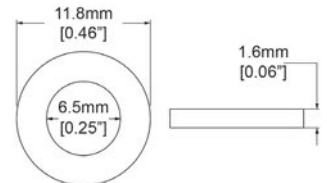
S1940



Slim **M6** Cup Washer
Suitable for use in applications with limited space.

Part No.	Finish	Weight
S1940	Black	1g/0.035oz

HSM6FW

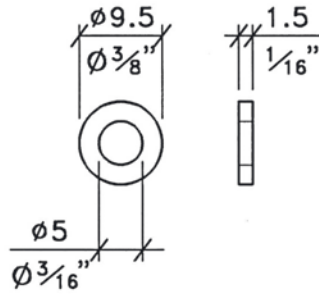


M6 Flat Black Plastic Washer

Material: Plastic

Part No.	Finish	Description
HSM6FW	Black	M6 Plastic Washer

Rack Fasteners



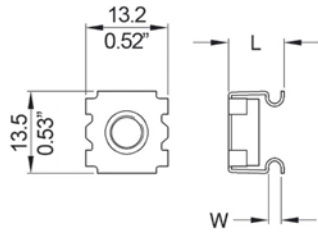
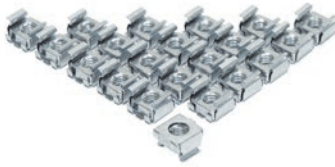
U5215

Rack Rail Washer to protect Panel from Screw damage.
For use with **U5200 - U5205** (p.111) .
Sold in packs of 25 pieces.

Material: Plastic

Part No.	Weight
U5215	1g/0.035oz

Rack Fasteners



NUT	L	W
S1025	10.4 - 0.4"	3.4 - 0.13"
S1170	9.25 - 0.36"	1.8 - 0.07"
S1172	9.3 - 0.37"	2.4 - 0.09"

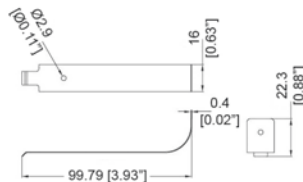
S1025 - S1172 - Cage Nuts

For use with fixing equipment to Square Hole Rack Strips.
The Cage Nut clips into the Rack Rail and is used with any M6 Screws such as **S1045** (p.111) .
Use of a Cup Washer is also recommended to protect equipment: **S1941** (p.111) or **S1940** (p.111)

Material: Steel

Part No.	Description	Weight
S1025	For Rack Strip R0900 (p.41)	4g/0.14oz
S1170 S1170/M5	For Rack Strip R0863 (p.41) & R0883 (p.41) and Rack Systems R8200 (p.18) & R8400 M5 Version of S1170	5g/0.18oz
S1172	For Rack Strip R0863/2mm (p.41) & R0883/2mm (p.41)	5g/0.18oz

SX1100



Universal Rack Cage Nut Tool.
Suitable for parts such as **R2860-SET - R2821-SET** (p.109) , **R0863** (p.41) and **R0883** (p.41) .

Material: Steel

Part No.	Description
SX1100	Universal Rack Cage Nut Tool

CN01



Scan to Watch
Our Video

Or Visit:
youtu.be/-1mgYUP7IsE



Deluxe Cage Nut Insertion/Extraction Tool.
This tool is invaluable for site engineers wanting to insert or extract Cage Nuts. No more cut fingers with sharp tools and screwdrivers.
Suitable for the 8.3mm / 5/16" and 9.5mm / 3/8" Hole Variants of the M4, M5 and M6 Cage Nuts.

Part No.	Description
CN01	Deluxe Cage Nut Insertion/Extraction Tool

R64/R66-SCREW-PACK NEW!

Coach bolts kit to anchor wall mount racks
- 4 x Coach Bolts
- 4 x Rawlplugs
- 4 x Washer
Coach bolt size:
Length 60mm / 2.36" (excluding head)
Diameter: 8mm / 5/16"
Ideal for Penn Elcom wall mount racks:
- **R6400** (p.21) 450mm / 17.72" Deep Wall Mount Rack
- **R6600** (p.23) 600mm / 23.62" Deep Wall Mount Rack
- **R6400-RHF** (p.26) Rear Hinged Frame



Part No.	Description
R64/R66-SCREW-PACK	Coach bolts kit to anchor wall mount racks

CONNECTORS

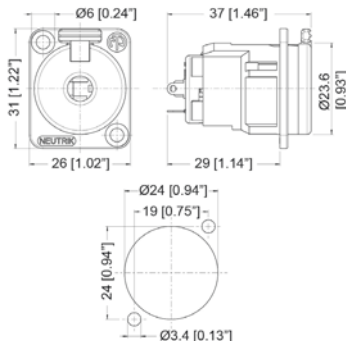


PX Series Jack Plug

The heavy duty professional phone plug series improves on the design of the existing C series by offering the thinnest available A-gauge 6.35mm / 1/4" plug with unique Neutrik chuck type strain relief on the market.

The slimline shell with a width of 14.5mm / 9/16" meets the most recent requirements for highest density jackfields (15.88mm / 5/8" jack pitch). The precise machined one-piece tip contact without rivets makes it unique and avoids hook up in a socket or break off the tip.

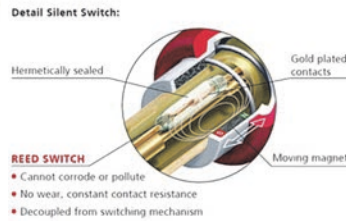
Part No.	Description	Pole	Shell	Contacts
CONP2X	6.35mm / 1/4" professional phone plug	2 (Mono)	Nickel	Nickel
CONP2XD	6.35mm / 1/4" professional phone plug (100 pack)	2 (Mono)	Nickel	Nickel
Part No.	Description	Pole	Shell	Contacts
CONP2XBAG	6.35mm / 1/4" professional phone plug	2 (Mono)	Black	Nickel
CONP2XB	6.35mm / 1/4" professional phone plug	2 (Mono)	Black	Gold
Part No.	Description	Pole	Shell	Contacts
CONP2XL	6.35mm / 1/4" professional jumboPLUG	2 (Mono)	Nickel	Nickel
Part No.	Description	Pole	Shell	Contacts
CONP2RXD	6.35mm / 1/4" professional RIGHT-ANGLE phone plug (100 pack)	2 (Mono)	Nickel	Nickel
CONP2RXBAGD	6.35mm / 1/4" professional RIGHT-ANGLE phone plug (100 pack)	2 (Mono)	Black	Nickel
CONP2RXBD	6.35mm / 1/4" professional RIGHT-ANGLE phone plug (100 pack)	2 (Mono)	Black	Gold
Part No.	Description	Pole	Shell	Contacts
CONP3X	6.35mm / 1/4" professional phone plug	3 (Stereo)	Nickel	Nickel
CONP3XD	6.35mm / 1/4" professional phone plug (100 pack)	3 (Stereo)	Nickel	Nickel
CONP3XBAGD	6.35mm / 1/4" professional phone plug (100 pack)	3 (Stereo)	Black	Nickel
CONP3XBD	6.35mm / 1/4" professional phone plug (100 pack)	3 (Stereo)	Black	Gold



NJ3FP6C

3 pole stereo 1/4" (6.35mm) phone jack socket with silver contacts in D-size chassis

Part No.	Finish	Description
CONJ3FP6C	Nickel	3 pole 1/4" (6.35mm) phone jack socket



silentPLUG

Special version of 2 pole plug with integrated switch which automatically mutes (shorts) a guitar cable to avoid annoying pops and squeals when hot swapping guitars. The integrated silent switch is based on the REED technology and guarantees a lifetime beyond 10'000 mating cycles.

Part No.	Description	Shell	Contacts	Pole
CONP2RXAU	6.35mm / 1/4" RIGHT-ANGLE phone plug with silent switch	Red rubber	Gold	2 (Mono)
CONP2XAUS	6.35mm / 1/4" phone plug with silent switch	Red rubber	Gold	2 (Mono)



NYS Series - 6.35mm - 1/4

Commercial 6.35mm / 1/4" phone plugs with cable clamp for best strain relief and solder contacts in various materials and types.

Part No.	Description	Shell	Pole	Contacts
CONYS201	Plug	Short metal handle	2 (Mono)	Nickel
CONYS202	Plug	Short metal handle	3 (Stereo)	Nickel
CONYS203	Plug	Plastic handle with flexible strain relief	2 (Mono)	Nickel
CONYS204	Plug	Plastic handle with flexible strain relief	3 (Stereo)	Nickel

Part No.	Description	Shell	Pole	Contacts
CONYS207	Right Angle Plug	Metal housing and plastic bushing	2 (Mono)	Nickel
CONYS224	Right Angle Plug	Long die-cast handle, no rivet	2 (Mono)	Nickel
CONYS208	Right Angle Plug	Metal housing and plastic bushing	3 (Stereo)	Nickel
CONYS224BG	Right Angle Plug	Black plated long die-cast handle, no rivet	2 (Mono)	Gold

Part No.	Description	Shell	Pole	Contacts
CONYS225	Jumbo Plug	Large metal handle, rubber bushing	2 (Mono)	Nickel
CONYS225L	Jumbo Plug	Large metal handle, rubber bushing, large cable outlet	2 (Mono)	Nickel



NYS Series - 3.5mm / 1/8

Reliable 3.5mm / 1/8" plugs with metal shell and cable clamp strain relief able to cope with cable diameters from 4mm / 3/16" to 6mm / 1/4".

Part No.	Description	Shell	Pole
CONYS226	Plug	Metal handle with crimp strain relief	2 (Mono)
CONYS226L		Metal handle for large cables	
CONYS226BG	Plug	Black metal handle	2 (Mono)
CONYS231	Plug	Metal handle with crimp strain relief	3 (Stereo)
CONYS231B	Plug	Black metal handle	3 (Stereo)
CONYS231BG	Plug	Black metal handle	3 (Stereo)

Part No.	Description	Shell	Pole
CONTP3RC	Right Angle Plug	Nickel with chuck type strain relief	3 (Stereo)
CONTP3RCB	Right Angle Plug	Black with chuck type strain relief	3 (Stereo)



XX Series

The next generation of the worldwide accepted standard of XLR cable connectors. The successor of the X series offers several new features which make it more reliable, easier to assemble and improves contact integrity as well cable strain relief.

Features & Benefits

- Additional ground spring contacts for better shell ground continuity
- Improved chuck type strain relief provides higher pull-out force and makes assembly easier and faster
- Boot with polyurethane gland gives high protection to cable bending stresses
- Coloured rings and boots available for coding or identification
- Sleek and ergonomic design - valuable and handy
- Rugged zinc die-cast shell, long lasting and dependable
- Internal thread on shell is well protected against any damage
- Branded with unique hologram - guarantees genuine and authentic Neutrik product

3 Poles

Part No.	Description	Contacts	Gender	Shell
CONC3FXX	XLR Connector	Silver	Female	Nickel
CONC3FXXD	XLR Connector (100 pack)			
CONC3MXX	XLR Connector	Silver	Male	Black Metal
CONC3MXXD	XLR Connector (100 pack)			
CONC3FXXBAG	XLR Connector	Gold	Female	Black Metal
CONC3MXXBAG	XLR Connector			
CONC3FXXB	XLR Connector	Gold	Female	Black Metal
CONC3MXXB	XLR Connector			

4 Poles

Part No.	Description	Contacts	Gender	Shell
CONC4FXX	XLR Connector	Silver	Female	Nickel
CONC4MXX	XLR Connector			
CONC4FXXBAG	XLR Connector	Silver	Female	Black Metal
CONC4MXXBAG	XLR Connector			
CONC4FXXB	XLR Connector	Gold	Female	Black Metal
CONC4MXXB	XLR Connector			

5 Poles

Part No.	Description	Contacts	Gender	Shell
CONC5FXX	XLR Connector	Silver	Female	Nickel
CONC5MXX	XLR Connector			
CONC5FXXBAG	XLR Connector	Silver	Female	Black Metal
CONC5MXXBAG	XLR Connector			
CONC5FXXB	XLR Connector	Gold	Female	Black Metal
CONC5MXXB	XLR Connector			

6 Poles

Part No.	Description	Contacts	Gender	Shell
CONC6FXX	XLR Connector	Silver	Female	Nickel
CONC6MXX	XLR Connector			
CONC6FXXB	XLR Connector	Gold	Female	Black Metal
CONC6MXXB	XLR Connector			

7 Poles

Part No.	Description	Contacts	Gender	Shell
CONC7FXX	XLR Connector	Silver	Female	Nickel
CONC7MXX	XLR Connector			
CONC7FXXB	XLR Connector	Gold	Female	Black Metal
CONC7MXXB	XLR Connector			
CONC7FXXBAG	XLR Connector	Silver	Female	Black Metal
CONC7MXXBAG	XLR Connector			



convertCON

World's first 3 pole unisex XLR cable connector
 -3 pole male and female cable connector in one housing
 -Easy selectable gender - converted by sliding housing back and forth
 -Substitute adapters, ideal as an emergency kit
 -With all benefits of the XLR XX series
 -Branded with unique hologram - guarantees genuine and authentic Neutrik product

Part No.	Description
CONC3FMC	3 pole unisex XLR connector



XX-HE Series

Exclusive version of standard XX Series. Valuable velour chromium plating. Extra high temperature resistant insulator material. Rated to 280°C (536°F). Insert is dark grey to distinguish it from standard XX Series insulators.

Part No.	Pole	Gender	Shell	Contacts
CONC3FXXHE	3	Female	Velour-chromium	Gold
CONC3MXXHE		Male		



EMC Series

The EMC-XLR Series is a specifically designed version of the XX series to give enhanced RF screening for applications where there are problems with radio transmission or mobile phones. The design guarantees a continuous RF shield connection from the cable to the chassis connector housing via a circular capacitor around the cable shield. The circular capacitors act as high-pass filter with a cut-off frequency around 10 MHz. An EMI suppression ferrite bead with 24 Ohm at 1 MHz between pin 1 and the cable screen provides a low-pass filter for improved RF rejection.

Part No.	Description	Pole	Gender	Shell	Contacts
CONC3FXXEMC	XLR Connector	3	Female	Nickel	Gold
CONC3MXXEMC			Male		



TOP Series

The X-TOP series is a "heavy-duty" XLR cable connector for outdoor use. Outdoor protected by mating with related cable or chassis connector of the XLR TOP range (IP65 and UL50E). Gold contacts are standard.

Features & Benefits

- Heavy-duty sealed XLR connector range for harsh and demanding environment
- Uses high impact UV resistant materials
- Outdoor protection according to IP65 and UL50E (in combination with a TOP range counterpart)
- Gold contacts

Part No.	Description	Pole	Gender
CONC3FXTOP	Heavy-duty XLR Cable Connector	3	Female
CONC5FXTOP	Heavy-duty XLR Cable Connector	5	Female

Part No.	Description	Pole	Gender
CONC3MXTOP	Heavy-duty XLR Cable Connector	3	Male
CONC5MXTOP	Heavy-duty XLR Cable Connector	5	Male



RX Series

The RX Series is the right angle version of the XX cable connector series. The successor of the RC series offers several new features which make it more reliable, easier to assemble and improves contact integrity as well cable strain relief.

Features & Benefits

- Extra slim right-angle connector
- 5 selectable cable outlet positions
- Coloured rings and boots available for coding or identification

Part No.	Description	Pole	Gender	Shell	Contacts
CONC3FRX CONC3FRXBAG	Right angle XLR Connector	3	Female	Nickel Black metal	Silver
CONC3MRX CONC3MRXBAG	Right angle XLR Connector	3	Male	Nickel Black metal	Silver
CONC4FRX CONC4FRXB	Right angle XLR Connector	4	Female	Nickel Black metal	Silver Gold
CONC4MRX CONC4MRXB	Right angle XLR Connector	4	Male	Nickel Black metal	Silver Gold
CONC5FRX CONC5MRX	Right angle XLR Connector	5	Female Male	Nickel	Silver
CONC6FRX CONC6MRX	Right angle XLR Connector	6	Female Male	Nickel	Silver

XLR Chassis Connectors



A Series

The State of the Art receptacle. Round plastic body XLR pcb mount panel connector. These have the smallest size and highest packing density (23mm / 7/8" between centres). New designed tulip type female contact on 3 pin versions and fork type on 4 and 5 pole female connectors with hard gold plating and polished contact areas. Variety of grounding options and termination facilities, UL recognized component.

Part No.	Description	Pole	Gender	Termination
CONC5FAH	XLR receptacle A-size Chassis	5	Female	Horizontal PCB mount
CONC5FAV	XLR receptacle A-size Chassis	5	Female	Vertical PCB mount
Part No.	Description	Pole	Gender	Termination
CONC5MAH	XLR receptacle A-size Chassis	5	Male	Horizontal PCB mount
CONC5MAV	XLR receptacle A-size Chassis	5	Male	Vertical PCB mount



TOP Series Chassis

The X-TOP series is a "heavy-duty" XLR chassis connector for outdoor use. Outdoor protected by mating with related cable connector of the XLR TOP range (IP65 and UL50E). Gold contacts are standard.

Features & Benefits

- Heavy-duty sealed XLR connector range for harsh and demanding environment
- Uses high impact UV resistant materials
- Outdoor protection according to IP65 and UL50E (in combination with a TOP range counterpart)
- Gold contacts

Part No.	Description	Pole	Gender
CONC3FDXTOP	Heavy-duty XLR Chassis Connector	3	Female
CONC5FDXTOP	Heavy-duty XLR Chassis Connector	5	Female
Part No.	Description	Pole	Gender
CONC3MDXTOP	Heavy-duty XLR Chassis Connector	3	Male
CONC5MDXTOP	Heavy-duty XLR Chassis Connector	5	Male

Neutrik Connectors



DLX Series

The DLX series features a compact all metal housing with an ingenious duplex ground contact, which offers excellent RF protection and shielding. It is the ideal match for mating with Neutrik's EMC XLR cable connector.

Features & Benefits

- All metal housing offers best overall RF protection and electromagnetic shielding
- Duplex ground contact for excellent contact integrity between chassis and cable connector
- Unique cage type female contact on 3 pole version increases conductivity and reduces wear on the mated male contact
- Female contact incorporates a solder barrier to prevent solder running into the contact mating area
- Male connector's retention bar replaces plastic design with all metal version improving pull-out force
- Larger solder contacts for easier termination
- Optional connection to easily join pin1 to chassis ground
- D-style housing provides installation compatibility with industry standard D mounting dimensions

3 Pole

Part No.	Finish	Description	Pole	Gender	Contacts
CONC3FDLX CONC3MDLX	Nickel	XLR D-size Chassis	3	Female Male	Silver
CONC3FDLXBAG CONC3MDLXBAG	Black metal	XLR D-size Chassis	3	Female Male	Silver
CONC3FDLXB CONC3MDLXB	Black metal	XLR D-size Chassis	3	Female Male	Gold
CONC3FDLXM3 CONC3MDLXM3	Nickel	XLR D-size Chassis with M3 mounting holes	3	Female Male	Silver

4 Pole

Part No.	Finish	Description	Pole	Gender	Contacts
CONC4FDLX CONC4MDLX	Nickel	XLR D-size Chassis	4	Female Male	Silver
CONC4FDLXBAG CONC4MDLXBAG	Black metal	XLR D-size Chassis	4	Female Male	Silver
CONC4FDLXB CONC4MDLXB	Black metal	XLR D-size Chassis	4	Female Male	Gold
CONC4FDLXM3 CONC4MDLXM3	Nickel	XLR D-size Chassis with M3 mounting holes	4	Female Male	Silver

5 Pole

Part No.	Finish	Description	Pole	Gender	Contacts
CONC5FDLX CONC5MDLX	Nickel	XLR D-size Chassis	5	Female Male	Silver
CONC5FDLXBAG CONC5MDLXBAG	Black metal	XLR D-size Chassis	5	Female Male	Silver
CONC5FDLXB CONC5MDLXB	Black metal	XLR D-size Chassis	5	Female Male	Gold
CONC5FDLXM3 CONC5MDLXM3	Nickel	XLR D-size Chassis with M3 mounting holes	5	Female Male	Silver

6 Pole

Part No.	Finish	Description	Pole	Gender	Contacts
CONC6FDLX CONC6MDLX	Nickel	XLR D-size Chassis	6	Female Male	Silver
CONC6FDLXB CONC6MDLXB	Black metal	XLR D-size Chassis	6	Female Male	Gold
CONC7FDLX	Nickel	XLR D-size Chassis	7	Female	Silver
CONC7MDLX	Nickel	XLR D-size Chassis	7	Male	Silver



NF2D - Series

Neutrik Phono (RCA) socket.
D-Series panel receptacle.
Solder version.

Part No.	Isolation Washer	Gender	Housing
CONF2D0 CONF2DB0	Black	Female	Nickel Black chrome
CONF2D2 CONF2DB2	Red	Female	Nickel Black chrome
CONF2D4 CONF2DB4	Yellow	Female	Nickel Black chrome
CONF2D5 CONF2DB5	Green	Female	Nickel Black chrome
CONF2D6 CONF2DB6	Blue	Female	Nickel Black chrome
CONF2D9 CONF2DB9	White	Female	Nickel Black chrome



NYS367 - series

Phono chassis mount socket.
Gold plated contacts.
Colour coding.

Part No.	Gender	Isolation Washer
CONYS3670	Female	Black
CONYS3672	Female	Red
CONYS3674	Female	Yellow
CONYS3675	Female	Green
CONYS3676	Female	Blue
CONYS3679	Female	White

NYS372P-BG



Phono jack with gold plated contacts and black plated shell.

Part No.	Gender
CONYS372PBG	Female

NF2C-B/2



Pair of professional Phono Plug (RCA- or CINCH- type) - marked red and black.
Including 2 x 2 strain reliefs for cable O.D. 3.0mm / 1/8" to 7.3mm / 5/16".
Complies with IEC 68-2-20

Part No.	Gender
CONF2CB2	Male



NYS352 - Series

Phono plugs
See below for details

Part No.	Gender	Shell	Contacts
CONYS352	Male	Nickel	Nickel
CONYS352AG	Male	Gold	Gold
CONYS352BG	Male	Black	Gold

SpeakON Lockable Connectors



SpeakON Cable Connectors

The SpeakON cable connectors are the industry-standard connectors for amplifier / loudspeaker connections. The entire family of 2, 4 and 8 pole connectors has been designed to operate in high current, inductive load environment of loudspeakers. The cable connectors feature a robust plastic housing, the traditional Neutrik chuck type cable clamp, a unique locking principle and touch proof contacts. The 2 and 8 pole versions offer 30 Amp current rating while the new 4 pole SPX type features up to 50 Amp current carrying capacity for the operation of high power speakers and amplifiers carrying more than 1000 Watts.

Part No.	Description	Pole	
CONL4FX	SpeakON Plug	4	7-14mm
CONL4FXD	SpeakON Plug (50 pack)		
CONL8FC	SpeakON Plug	8	8-20mm



SpeakON Chassis Connectors

The SpeakON panel mount connectors are the standard chassis connectors for loudspeaker / amplifier interconnections. They feature a unique metal locking system, making contact only once fully locked. The SpeakON receptacles are robust, versatile and easy to terminate with either flat tab (Faston) or screw terminals, pcb mount or soldering. They are available in 2, 4 and 8 pole configuration utilizing D size or G size panel cutout. The chassis connectors are airtight for audio applications (leakage 30 cm³/s at 10 kPa differential pressure) unless otherwise stated.

D-Series

Part No.	Finish	Description	Pole	Chassis	Termination	Panel fastening	Amp
CONL2MP	Black	SpeakON Chassis	2	D-size flange	3/16" flat tabs	Countersunk thruholes	30 Amp
CONL4MDH	Grey	SpeakON Chassis	4	D-size flange	Horizontal PCB mount	Self tapping A-screw holes	30 Amp
CONL4MPST	Black	SpeakON Chassis	4	D-size flange	Screw terminal	Countersunk thruholes	30 Amp
CONL4MPUC	Black	SpeakON Chassis	4	D-size flange	1/4" flat tabs	Countersunk thruholes	40 Amp
CONL4MP	Black	SpeakON Chassis	4	D-size flange	3/16" flat tabs	Countersunk thruholes	30 Amp

G-Series

Part No.	Finish	Description	Pole	Chassis	Termination	Panel fastening	Amp
CONL4MPR	Black	SpeakON Chassis	4	Round G-size flange	3/16" flat tabs	Countersunk thruholes	30 Amp
CONL8MPRBAG	Black chrome	SpeakON Chassis	8	Square G-size flange	3/16" flat tabs	Countersunk thruholes	30 Amp
CONL8MPR	Nickel metal						



SpeakON STX Series

The STX Series is the next generation of 4 and 8 pole SpeakON connectors especially designed for heavy duty amplifier-loudspeaker applications like professional touring. The extremely rugged and durable STX Series features an all metal housing and the 4 pole version a built-in gasket providing weatherproof protection to IP54.

Features & Benefits

- Chuck type strain relief
- Current rating 40 Amp continuous, 50 Amp audio with 50% duty cycle
- Robust and durable all metal housing
- Reinforced metal quick lock system for ease and precise locking
- Extra large solder contacts for up to 6mm² (AWG10) wires
- Mate with all available Speakon® products

Part No.	Description	Pole	Gender	Housing
CONLT4FX CONLT4FXBAG	SpeakON STX cable connector	4	Female	Nickel Black-chrome metal
CONLT4MX CONLT4MXBAG	SpeakON STX cable connector	4	Male	Metal Black-chrome metal
CONLT8FX CONLT8FXBAG	SpeakON STX cable connector	8	Female	Nickel Black-chrome metal



SpeakON Chassis STX Series

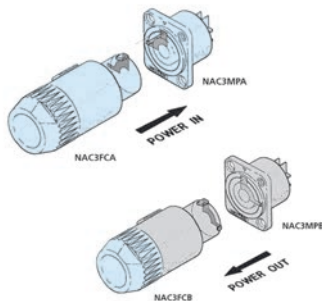
The STX Series is the next generation of 4 and 8 pole SpeakON connectors especially designed for heavy duty amplifier-loudspeaker applications like professional touring. The extremely rugged and durable STX Series features an all metal housing and the 4 pole version a built-in gasket providing weatherproof protection to IP54.

Features & Benefits

- Current rating 40 Amp continuous, 50 Amp audio with 50% duty cycle
- Robust and durable all metal housing
- Reinforced metal quick lock system for ease and precise locking
- Mate with all available Speakon® products

Part No.	Finish	Description	Termination	Chassis	Pole
CONLT4FP CONLT4FPBAG	Nickel Black chrome	SpeakON STX Chassis	Solder contacts	Square G-size flange	4 Female
CONLT4MP CONLT4MPBAG	Nickel Black chrome	SpeakON STX Chassis	Solder or ¼" flat tabs	Square G-size flange	4 Male
CONLT8MP CONLT8MPBAG	Nickel Black chrome	SpeakON STX Chassis	Solder or ¼" flat tabs	Square G-size flange	8 Male

powerCON



powerCON 20 Amp

The powerCON is a locking 3 conductor equipment AC connector with contacts for line, neutral and pre-mating ground contact. It replaces appliance couplers wherever a very rugged solution in combination with a locking device is needed in order to guarantee a safe power connection.

Attention: The powerCON is a connector without breaking capacity, i.e. the powerCON should not be connected or disconnected under load or live!

Features & Benefits

- Locking 20 A / 250 V ac appliance coupler
- 3 contacts for line, neutral and pre-mating safety ground
- Power-in (blue) and power-out (grey) versions with different keying to avoid the possibility of intermating
- Fast and easy twist lock latching system
- Extremely robust and reliable

Part No.	Termination	Power Type	Connector	Pole
CONAC3MPA1	Flat tab terminals	A-type for power-in	Chassis connector	3
CONAC3MPB1	Flat tab terminals	B-type for power-out	Chassis connector	3
Part No.	Termination	Power Type	Connector	Pole
CONAC3FCA	Screw terminals	A-type for power-in	Cable connector	3
CONAC3FCB	Screw terminals	B-type for power-out	Cable connector	3



powerCON 32 Amp

The 32 Amp powerCON is an extremely robust and reliable locking single phase AC appliance cable connector for high current capacity (32 A rated). It is conceived as a non-standardized 3 pole connection system without breaking capacity to serve the needs of high power distribution systems and supplies for professional audio and lighting equipment and installations. The connectors comprise of contacts for phase, neutral and protective earth (ground) conductors rated for currents up to 32 A and for voltages up to 250V.

Features & Benefits

- 250 V ac, 32 Amp single-phase (for ambient temperatures up to 35Å°C)
- Premating contact for protective earth
- Fast and easy locking system to prevent unintentional disengagement
- Cable O.D. Range: 8 - 20 mm
- Wiring with screw-type terminals for wires 2.5 to 6.0 mm² (AWG 14 - 10)
- Excellent cable handling and protection
- Extremely robust and reliable
- VDE, UL, cUL and JET approved

Part No.	Connector	Termination	Pole
CONAC3FCHC	Cable connector	Screw terminals	3
CONAC3MPHC	Chassis connector - Power-in	Screw terminals	3



powerCON 32 Amp (5 Pole 2P + 3 PE)

Single phase powerCON® with 3 protective earth conductors 32 Amp / NAC3-2 Series - AC Installation Coupler (5 Pole 2P + 3 PE)

The AC installation coupler was conceived to serve the needs of distribution systems for professional IT equipment and desk power supplies for the office environment. The system is designed according to the British Standard BS 7671

section 607 only and is therefore limited to corresponding applications.

Operation is only guaranteed for related applications and has the ASTA marks licence number: 845.

Note: The PowerCon® is a connector without breaking capacity, i.e. the PowerCon® should not be connected or disconnected under load or live!

Part No.	Pole	Connector	Termination
CONAC32FC	5	Cable connector	Screw terminals
CONAC32MP	5	Chassis connector - Power-in	Screw terminals



powerCON TRUE1 Chassis TOP Series

The powerCON TRUE1 TOP is a locking 16 A true mains connector for outdoor applications. It replaces appliance couplers wherever a very rugged solution in combination with a locking device is needed in order to guarantee a safe power connection.

The powerCON TRUE1 TOP is a connector with breaking capacity (CBC), i.e. it can be connected or disconnected under load or live.

Features & Benefits

- Heavy duty sealed power connector for harsh and demanding environment
- Outdoor protection according to IP65 and UL50E enclosure type 4 (in mated condition or in combination with the rubber sealing cover SCNAC-MPX)
- Uses high impact UV-resistant materials
- True mains connector with breaking capacity (CBC)
- Lockable 16 A single phase connector (USA: 20 A)
- Easy and reliable twist lock system
- Extremely robust and reliable Unique Neutrik cable retention
- ENEC certified according to IEC 60320
- UL498 certified

Part No.	Finish	Type	Terminals
CONAC3MPXTOP	Black	Inlet	1/4" flat tab terminals
CONAC3FPXTOP	Black	Outlet	1/4" flat tab terminals
CONAC3PXTOP	Black	Inlet-Outlet Combination	1/4" flat tab terminals

Part No.	Finish	Type	Terminals
CONAC3FPXSTTOP	Black	Outlet	Screw terminals



powerCON TRUE1 Connectors TOP Series

The powerCON TRUE1 TOP is a locking 16 A true mains connector for outdoor applications. It replaces appliance couplers wherever a very rugged solution in combination with a locking device is needed in order to guarantee a safe power connection.

The powerCON TRUE1 TOP is a connector with breaking capacity (CBC), i.e. it can be connected or disconnected under load or live.

Features & Benefits

- Heavy duty sealed power connector for harsh and demanding environment
- Outdoor protection according to IP65 and UL50E enclosure type 4 (in mated condition)
- Uses high impact UV-resistant materials
- True mains connector with breaking capacity (CBC)
- Lockable 16 A single phase connector (USA: 20 A)
- Easy and reliable twist lock system
- Extremely robust and reliable Unique Neutrik cable retention
- ENEC certified according to IEC 60320
- UL498 certified

Part No.	Description
CONAC3FXWTOP	Locking male connector with screw terminals
CONAC3MXWTOP	Locking Female connector with screw terminals

etherCON



etherCON Cable Connectors

The etherCON cable connector carries upgrade a conventional RJ45 connector to an extremely robust lockable solution. Two different versions allow the protection of already assembled or unassembled RJ45 connectors. IMPORTANT: Cable connectors do not include RJ 45 plug.

Part No.	Finish	Cable O.D.	RJ45
CONE8MX	Nickel	4.5mm / 3/16" - 8mm / 5/16"	For pre-assembled RJ45 cables
CONE8MXB	Black chromium	4.5mm / 3/16" - 8mm / 5/16"	For pre-assembled RJ45 cables

Part No.	Finish	Cable O.D.	RJ45
CONE8MX1	Nickel	3.5mm / 1/8" - 8mm / 5/16"	For non pre-assembled RJ45 cables
CONE8MXB1	Black chromium	3.5mm / 1/8" - 8mm / 5/16"	For non pre-assembled RJ45 cables



etherCON Cable Connectors TOP Series

New line of TRUE OUTDOOR PROTECTION (TOP) products for demanding outdoor applications. These ruggedized sealed connectors feature not only IP protection but also UV resistance approved according to UL50E.

The etherCON cable connector carrier upgrades a conventional RJ45 connector to an extremely robust, outdoor protected lockable solution (IP65 & UL50E).

Features & Benefits

- The RJ45 system for harsh and demanding environment
- Cable connector carrier accepts the most common RJ45 plugs (see list at downloads)
- Rugged die-cast shell and unique chuck type strain relief
- Protects Ethernet connections in a variety of commercial type applications and is designed to prevent breakage of the fragile components of standard RJ45 connectors
- Allows assembly of non pre-assembled conventional RJ45 cables
- ATTENTION: Does not intermate with the CAT6 chassis connectors NE8FDY-C6 and NE8FDY-C6-B.

IMPORTANT: Cable connectors do not include RJ 45 plug.

Part No.	Finish	Cable O.D.	RJ45
CONE8MXTOP	Velour Chromium	5mm / 3/16" - 8mm / 5/16"	For non pre-assembled RJ45 cables



etherCON Chassis

The etherCON Series is a ruggedized and lockable RJ45 connector system, optimized for pro audio, video and lighting network applications. The chassis connectors are shaped to fit into standardized panels out of the entertainment industry. Various wiring applications and colour coding are available.

- The all plastic A-Series offers the most space saving and cost effective design.
- The B-Series offers a space saving design and a rugged metal front plate.
- The D-Series offers the most rugged design of the etherCON series and is perfectly suitable for panel mount and the installer market.

A-Series

Part No.	Finish	Chassis	Max Panel thickness	Description
CONE8FAH	Black	A-Series with latch lock	3mm / 1/8"	Horizontal PCB mount
CONE8FAV	Red	A-Series with latch lock	3mm / 1/8"	Vertical PCB mount
CONE8FAVYK	Black	A-Series with latch lock	3mm / 1/8"	IDC punch down terminals

B-Series

Part No.	Finish	Chassis	Max Panel thickness	Description
CONE8FBV	Nickel	B-Series with latch lock	3mm / 1/8"	Vertical PCB mount

D-Series

Part No.	Finish	Chassis	Max Panel thickness	Description
CONE8FDPB	Black	D-Series with latch lock	4mm / 3/16"	Feedthrough (2 mounting screws included)
CONE8FDP	Nickel	D-Series with latch lock	4mm / 3/16"	Feedthrough (2 mounting screws included)
CONE8FDV	Nickel	D-Series with latch lock	4mm / 3/16"	Vertical PCB mount
CONE8FDVYK	Nickel	D-Series with latch lock	4mm / 3/16"	IDC punch down terminals



etherCON Chassis TOP Series

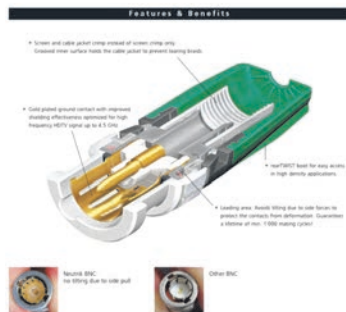
New line of TRUE OUTDOOR PROTECTION (TOP) products for demanding outdoor applications. These ruggedized sealed connectors feature not only IP protection but also UV resistance approved according to UL50E. The etherCON series is a ruggedized and lockable RJ45 connector system, optimized for pro audio, video and lighting network applications. The chassis connectors are shaped to fit into standardized panels out of the entertainment industry.

Features & Benefits

- Max Panel thickness: 4mm / 3/16"
- TRUE OUTDOOR PROTECTION according to IP65 & UL50E
- Uses high impact UV-resistant and gasket materials
- Outdoor protection when mated with NE8MX-TOP or sealing cap closed
- Accomodates NE8MCX* or any standard RJ45 plug
- Class D or CAT5e according to ISO/IEC 11801 and TIA/EIA
- Approved latch lock system
- Mountable from the front of the panel Ground panel connection

Part No.	Finish	Description
CONE8FDHC5ETOP	Chromium	Horizontal PCB mount
CONE8FDPTOP	Chromium	Feedthrough
CONE8FDVTOP	Chromium	Vertical PCB mount

BNC 75 O



rearTWIST BNC Cable Connector

The rearTWIST BNC cable connector offers a true 75 Ω design and is perfectly suitable for HD applications.

The patented rearTWIST boot guarantees easy access even in high density applications and offers colour coding.

Crimp size:
 Pin: 1.6 mm (square)
 Shield: 6.47 mm (hex)

Part No.	Shield	Pin	Contacts
CONBNC75BLP7	6.47 mm (hex)	1.6 mm (square)	Brass



BNC Sockets

The bulkhead connector offers a true 75Ω design for serial and digital (HD) signals. The machined brass connector body provides an extremely rugged and non-abrasive connection over long term use and is in addition recessed and therefore well protected in a D-shape housing (audio industry standard).

Part No.	Finish	Panel mount	Termination
CONBB75DFGB	Black	Grounded	Feedthrough
CONBB75DFI	Nickel	Isolated	Feedthrough
CONBB75DFIB	Black	Isolated	Feedthrough
CONBB75DSI	Nickel	Isolated	Solder contacts

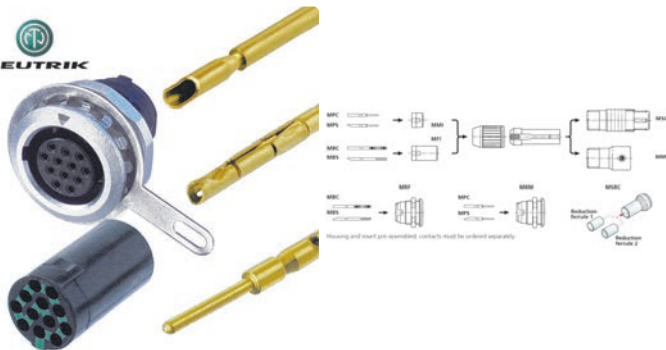
miniCON



miniCON Connectors

The MiniCon with its flexible and compact design is perfectly suitable for multipin / industrial applications. The rugged all metal miniature connector offers a push-pull locking device and stands out by an excellent cost/performance ratio.

Part No.	Description	Strain relief
COMSCM12	Male Connector	Chuck type
COMSCF12	Female Connector	Chuck type
CONMRM12	Male Receptacle	Chuck type
COMRF12	Female Receptacle	Chuck type



miniCON - Modular System

MiniCon Connectors

The MiniCon with its flexible and compact design is perfectly suitable for multipin / industrial applications. The rugged all metal miniature connector offers a push-pull locking device and stands out by its cost/performance ratio.

Pre-assembled Housings

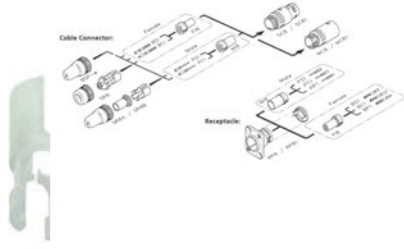
Part No.	Description	Gender
CONMRM	Receptacle housing and insert pre-assembled	Male
CONMRF	Receptacle housing and insert pre-assembled	Female

Inserts

Part No.	Description	Gender
CONMMI	Insert for up to 12 contacts (100 pack)	Male
CONMFI	Insert for up to 12 contacts (100 pack)	Female

Gold Plated Contacts

Part No.	Description	Gender
CONMBC	Crimp contact, gold plated, for cable and chassis connectors. Wire size: AWG 24/0.22 mm ² (100 pack)	Female
CONMBS	Solder contact, gold plated, for cable and chassis connectors. Wire size: AWG 24/0.22 mm ² (100 pack)	Female
CONMPS	Solder contact, gold plated, for cable and chassis connectors. Wire size: AWG 20/0.5 mm ² (100 pack)	Male



neutriCON Modular System

The modular system of the miniCON series offers the possibility to assemble a desired connector from a wide range of various parts. Including additional parts for special versions (e.g. cable connector extension, crimp set, ...). The neutriCON connectors are designed for multipin/industrial applications in harsh and demanding environment. The very robust all metal circular connector offers easy and screwless assembly, flexible part combination and a push-pull locking mechanism.

Features & Benefits

- Contact configuration can be selected from 1 to 8 contacts
- Easy assembly: Contact soldering / crimping in disassembled condition avoids awkward wiring of high density contacts.
- Precise and robust all metal housing
- Push-pull self-locking system
- Coding system possible (polarization)

Connector Housings

Part No.	Description
CONRP8	Chassis connector housing for female and male inserts, black coated, 180° coding
CONRP81	Chassis connector housing for female and male inserts, black coated, 90° coding
CONSC8	Cable connector housing for female and male inserts, black coated, 180° coding
CONSC81	Cable connector housing for female and male inserts, black coated, 90° coding

Female Contacts

Part No.	Description
CONBP1	Female PCB contact, gold plated, for chassis connectors
CONBS1	Female solder contact, gold plated, for cable and chassis connectors
CONF8	Female insert for cable and chassis connectors

Male Contacts

Part No.	Description
CONPP1	Male PCB contacts, gold plated, for chassis connectors
CONPS1	Male solder contact, gold plated, for cable and chassis connectors
CONMI8	Male insert for cable and chassis connectors

Extension Housings

Part No.	Description
CONMC8	Cable connector extension housing for female and male inserts, black coated, 180° coding
CONSR8	Bushing and chuck type strain relief (standard)
CONMC81	Cable connector extension housing for female and male inserts, black coated, 90° coding



neutriCON connectors

The neutriCON connectors are designed for multipin/industrial applications in harsh and demanding environment. The very robust all metal circular connector offers easy and screwless assembly, flexible part combination and a push-pull locking mechanism.

Part No.	Finish	Description	Gender
CONORP8F	Black	8 pole D-size chassis connector	Female
CONORP8M	Black	8 pole D-size chassis connector	Male
CONOSC8F	Black	8 pole cable connector, chuck type strain relief	Female
CONOSC8M	Black	8 pole cable connector, chuck type strain relief	Male

NA2BBNC-D9B



BNC socket - RCA / phono socket, white coded

Features & Benefits

- The D shape adapters are problem solvers for various intermating problems for professional and semi-professional applications
- Rugged aluminium extrusion housing for best reliability
- Colour coding on all RCA types

Part No.	Description
ATNA2BBNCD9B	BNC socket to RCA / phono socket

NA2M-D2B-TX



Miniature transformer balancing adapter, 3 pole XLR male - RCA / phono, red coded

Miniature transformer balancing adapters

Low cost solution for unbalanced/balanced line conversion and passive DI applications, where no earth or gain switching is required

Part No.	Description
ATNA2MD2BTX	3 pole XLR male to RCA / phono

NA3FDM



XLR female-male feedthrough adapter for panel mount

Part No.	Description
ATNA3FDM	XLR female-male feedthrough adapter

NA3MDF



XLR male-female feedthrough adapter for panel mount

Part No.	Description
ATNA3MDF	XLR male-female feedthrough adapter

NA2F-D0B-TX



Miniature transformer balancing adapter, 3 pole XLR female - RCA / phono socket, black coded

Miniature transformer balancing adapters

Low cost solution for unbalanced/balanced line conversion and passive DI applications, where no earth or gain switching is required

Part No.	Description
ATNA2FD0BTX	3 pole XLR female to RCA / phono

NA4MP-J



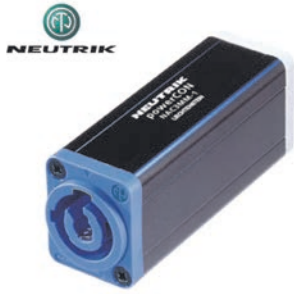
speakON NL4MP - mono locking 1/4" jack (Tip, Sleeve contact)

Features & Benefits

- The D shape adapters are problem solvers for various intermating problems for professional and semi-professional applications
- Rugged aluminium extrusion housing for best reliability

Part No.	Description
ATNA4MPJ	speakON NL4MP to mono locking 1/4" jack

NAC3MM-1



powerCON NAC3MPA-1 (power in) - powerCON NAC3MPB-1 (power out), coupler for linking cables powerCON 20 A
 The powerCON is a locking 3 conductor equipment AC connector with contacts for line, neutral and pre-mating ground contact. It replaces appliance couplers wherever a very rugged solution in combination with a locking device is needed in order to guarantee a safe power connection.

Part No.	Description
CONAC3MM	powerCON NAC3MPA-1 to powerCON NAC3MPB-1

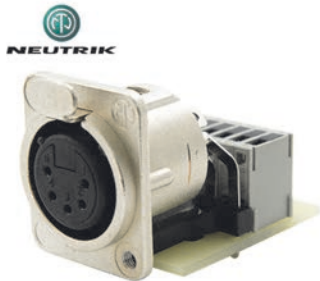
NL8MM



8 pole speakON feedthrough coupler for cable extensions

Part No.	Description
CONL8MM	8 pole speakON feedthrough coupler

NC5FDM3-H-PCB-IDC



PCB adapters fitted with 5 pin female XLR D-size chassis connector with IDC terminal.
 For use where cables have been installed & wall plates or patch bays need fixing at high speed & in a cold (no soldering) environment.
 The IDC terminals do not require a punch down tool and will accept 0.5 - 0.64 mm wire with a maximum OD of 1.8mm

Part No.	Description
CONC5FDM3HIDC	PCB adapters fitted with 5 pin female XLR

NL4MMX



Lockable 4 pole speakON coupler
 Links two NL2/4F*s together for cable extension. Changes gender to male when permanently locked on the cable.
 Features permanent secure connection on a speakON cable connector using 2nd lock. Can be permanently attached to NL2/4F*.

Part No.	Description
CONL4MMX	Lockable 4 pole speakON coupler

NE8FF



EtherCON RJ45 feedthrough coupler for cable extensions
Features & Benefits
 -Accommodates NE8MC* or any standard RJ45 plug
 -Approved latch lock system

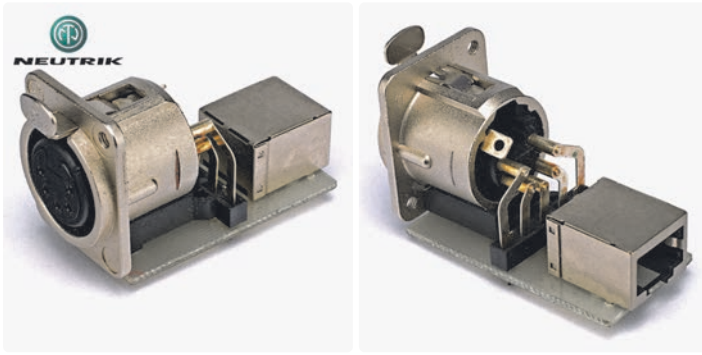
Part No.	Description
CONE8FF	EtherCON RJ45 feedthrough coupler

NC5MDM3-H-PCB-IDC



PCB adapters fitted with 5 pin male XLR D-size chassis connector with IDC terminal.
 For use where cables have been installed & wall plates or patch bays need fixing at high speed & in a cold (no soldering) environment.
 The IDC terminals do not require a punch down tool and will accept 0.5 - 0.64 mm wire with a maximum OD of 1.8mm

Part No.	Description
CONC5MDM3HIDC	PCB adapters fitted with 5 pin male XLR D-size



NC5FDM3-H-PCB-RJ45

5 pole XLR receptacle to RJ45 Adapter
 5 pole XLR receptacle in Nickel D-Series Chassis.
 M3 Threaded panel mount with PCB connection Horizontal PCB mounting to RJ45 Female

Part No.	XLR
CONC5MDM3HPCBRJ	Male
CONC5FDM3HPCBRJ	Female

Circular adapters

NA2FBNC



3 pole XLR female - BNC socket
 Wired according to IEC 268-12: Pin 2: signal; Pin 1 and 3: connected to ground

Part No.	Description
ATNA2FBNC	3 pole XLR female to BNC socket

NA2MBNC



3 pole XLR male - BNC socket
 Wired according to IEC 268-12: Pin 2: signal; Pin 1 and 3: connected to ground

Part No.	Description
ATNA2MBNC	3 pole XLR male to BNC socket

NA2FP



3 pole XLR female - Mono 1/4" plug (tip, sleeve contact)
 Wired according to IEC 268-12: Pin 2: signal; Pin 1 and 3: connected to ground

Part No.	Description
ATNA2FP	3 pole XLR female to Mono 1/4" plug

NA2MP



3 pole XLR male - Mono 1/4" plug (tip, sleeve contact)
 Wired according to IEC 268-12: Pin 2: signal; Pin 1 and 3: connected to ground

Part No.	Description
ATNA2MP	3 pole XLR male to Mono 1/4" plug

Neutrik Connectors

STAGE BOXES

P. 171

COMPUTER HOLDERS

P. 175

CABLE CROSSOVERS

P. 180

MEETING PODS

P. 184

NA2FPMF



3 pole XLR female - RCA / phono socket
 Wired according to IEC 268-12: Pin 2: signal; Pin 1 and 3: connected to ground

Part No.	Description
ATNA2FPMF	3 pole XLR female to RCA / phono socket

NA2MPMF



3 pole XLR male - RCA / Phono socket
 Wired according to IEC 268-12: Pin 2: signal; Pin 1 and 3: connected to ground

Part No.	Description
ATNA2MPMF	3 pole XLR male to RCA / Phono socket

NA3FF



3 pole XLR female - 3 pole XLR female
 Gender conversion adapter

Part No.	Description
ATNA3FF	3 pole XLR female to 3 pole XLR female

NA3FM



3 pole XLR male - 3 pole XLR female (extension adapter)

Part No.	Description
ATNA3FM	3 pole XLR male to 3 pole XLR female

NA3FJ



3 pole XLR female - Stereo 1/4" locking jack (tip, sleeve contact)

Part No.	Description
ATNA3FJ	3 pole XLR female to Stereo 1/4" locking jack

NA3MJ



3 pole XLR male - stereo 1/4" locking jack (Tip, Ring, Sleeve contact)

Part No.	Description
ATNA3MJ	3 pole XLR male to stereo 1/4" locking jack

NA3JJ



Stereo 1/4" locking jack - Stereo 1/4" locking jack (Tip, Ring, Sleeve contact), extension adapter

Part No.	Description
ATNA3JJ	Stereo 1/4" locking jack to Stereo 1/4" locking jack

NA3FP



3 pole XLR female - Stereo 1/4" plug (Tip, Ring, Sleeve contact)

Part No.	Description
ATNA3FP	3 pole XLR female to Stereo 1/4" plug

NA3MP



3-pole XLR male - stereo 1/4" plug (Tip, Ring, Sleeve contact)

Part No.	Description
ATNA3MP	3-pole XLR male to stereo 1/4" plug

NA3MM



3 pole XLR male - 3 pole XLR male (gender conversion adapter)

Part No.	Description
ATNA3MM	3 pole XLR male to 3 pole XLR male

NA3F5M



3 pole XLR female - 5 pole XLR male for lighting (DMX) applications

Part No.	Description
ATNA3F5M	3 pole XLR female to 5 pole XLR male

NA3M5F



3 pole XLR male - 5 pole XLR female for lighting (DMX) applications

Part No.	Description
ATNA3M5F	3 pole XLR male to 5 pole XLR female

132 - Circular adapters

NA4LJX



SpeakON NL4FC - 1/4" mono jack
Wiring: +1 to TIP and -1 to SLEEVE

Part No.	Description
ATNA4LJX	SpeakON NL4FC to 1/4" mono jack

NA5FF



5 pole XLR female - 5 pole XLR female (gender conversion adapter)

Part No.	Description
ATNA5FF	5 pole XLR female to 5 pole XLR female

NA5MM



5 pole XLR male - 5 pole XLR male (gender conversion adapter)

Part No.	Description
ATNA5MM	5 pole XLR male to 5 pole XLR male

NYS237



Adaptor 2 pole 1/4 inch Jack plug to 1 pole 1/4 inch Jack plug full metal

Part No.	Description
ATNYS237	2 pole Jack to 1 pole Jack

AES/EBU Impedance Transformers

NADITBNC-F



Female XLR chassis connector 110ohm input - female BNC 75ohm output.

Features & Benefits

- Allow long cable runs for digital audio signals via low attenuation coax lines
- Match balanced to coaxial lines
- Match impedances 110ohm to 75ohm
- Simple to use, passive units

Part No.	Description
ATNADITBNCF	Female XLR to female BNC

NADITBNC-M



Female BNC 75ohm input - male XLR chassis connector 110ohm output.

Features & Benefits

- Allow long cable runs for digital audio signals via low attenuation coax lines
- Match balanced to coaxial lines
- Match impedances 110ohm to 75ohm
- Simple to use, passive units

Part No.	Description
ATNADITBNCM	Female BNC to male XLR

NADITBNC-MX



Female BNC 75ohm input - male XLR cable end 110ohm output.

Features & Benefits

- Allow long cable runs for digital audio signals via low attenuation coax lines
- Match impedances 110ohm to 75ohm
- Simple to use, passive units

Part No.	Description
ATNADITBNCMX	Female BNC to male XLR

NADITBNC-FX



Female XLR cable end 110ohm input - female BNC 75ohm output.

Features & Benefits

- Allow long cable runs for digital audio signals via low attenuation coax lines
- Match impedances 110ohm to 75ohm
- Simple to use, passive units

Part No.	Description
ATNADITBNCFX	Female XLR to female BNC

Accessories

SCL



Dust protection cover **for most speakON and powerCON chassis connectors** to use when no cable connector is mated. Easy to use, it does not block the connectors in the panel below when not in use.

Part No.	Description
CONSCL	Dust protection cover

SCM



Dust protection cover **for male chassis connectors** to use when no cable connector is mated. Easy to use, it does not block the connectors in the panel below when not in use.

Part No.	Description
CONSCM	Dust protection cover

SCF



The handy dust protection cover **for female chassis connectors** can be used, when no cable connector is mated. The cover is easy to use and does not block the connectors in the panel below when not in use.

Part No.	Description
CONSCF	Dust protection cover

NDL



The dummyPLUG NDL for most Neutrik speakON and powerCON chassis enables you to simplify cabling. Unused inputs can be covered to avoid miss wiring and protect against dust additionally.

Part No.	Description
CONDL	DummyPLUG NDL

NDM



The dummyPLUG NDM for Neutrik male XLR receptacles enable you to simplify cabling. Unused inputs can be covered to avoid miss wiring and protect against dust additionally.

Part No.	Description
CONDM	DummyPLUG NDM

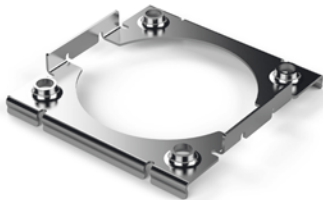
SCDR



Soft plastic cover for the rear end of several D-size chassis connectors. It is used to protect the gap between connector and cable. The protection cover works with all common wires and cables - you simply cut off the cover end to the preferred diameter.

Part No.	Description
CONSCDR	Soft plastic cover

COMFG



Fixing plate with M3 thread for efficient and easy mounting of all **G-sized** chassis connectors

Part No.	Description
COMFG	Fixing plate for G-sized chassis connectors

NDF



The dummyPLUG NDF for Neutrik female XLR receptacles enable you to simplify cabling. Unused inputs can be covered to avoid miss wiring and protect against dust additionally.

Material: Plastic

Part No.	Description
CONDF	DummyPLUG NDF

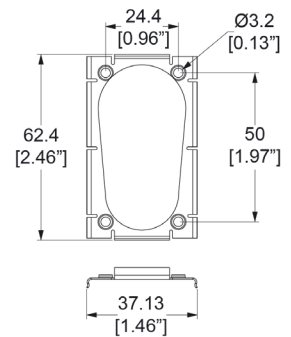
COMFD



Fixing plate with M3 thread for efficient and easy mounting of all **D-sized** chassis connectors

Part No.	Description
COMFD	Fixing plate for D-sized chassis connectors

COMFT



Double Bracket for Neutrik Connector

Part No.	Description
COMFT	Double Neutrik Bracket

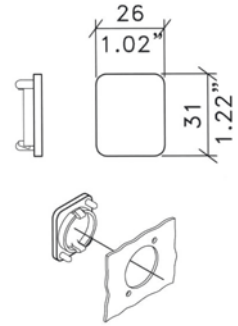
SCNLT



Gasket for speakON G-size housings for an airtight connection between chassis and frontpanel (also suitable for Amphenol EP cutouts).

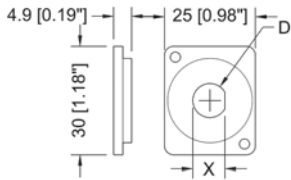
Part No.	Description
CONSCNLT	Gasket for speakON

M1905 - D-Series Blanking Plug



Blanking Plug for XLR/Neutrik D-Series Connector cut-out.

Part No.	Description	Weight
M1905	Blanking Plug	15g/0.53oz

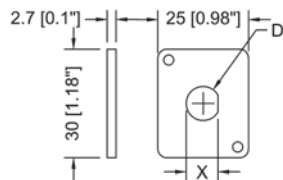


Plug	D	X
M1906	-	-
M1906/B9	9.4 / 0.37"	8.8 / 0.35"
M1906/P7	7 / 0.28"	-
M1906/T11	11 / 0.43"	-
M1906/B13	12.9 / 0.51"	12 / 0.47"
M1906/D16	16 / 0.63"	-

M1906 - D-Series Blanking Plug

Rear Mount Blanking and Converting Plugs for XLR/Neutrik D-Series Connector cut-out.

Part No.	Description	Weight
M1906	Plain	10g/0.35oz
M1906/B9	Punched for BNC	10g/0.35oz
M1906/P7	Punched for RCA	10g/0.35oz
M1906/T11	Punched for Telejack	10g/0.35oz
M1906/D16	Punched for DIN (16mm)	10g/0.35oz
M1906/B13	Punched for BNC	10g/0.35oz



Plug	D	X
M1908	-	-
M1908/B9	9.4 / 0.37"	8.8 / 0.35"
M1908/P7	7 / 0.28"	-
M1908/T11	11 / 0.43"	-
M1908/B13	12.9 / 0.51"	12 / 0.47"
M1908/D16	16 / 0.63"	-

M1908 - D-Series Blanking Plug

Front Mount Blanking and Converting Plugs for XLR/Neutrik D-Series Connector cut-out.

Part No.	Description	Weight
M1908	Plain	10g/0.35oz
M1908/B9	Punched for BNC	10g/0.35oz
M1908/P7	Punched for RCA	10g/0.35oz
M1908/T11	Punched for Telejack	10g/0.35oz
M1908/D16	Punched for DIN (16mm)	10g/0.35oz
M1908/B13	Punched for BNC	10g/0.35oz

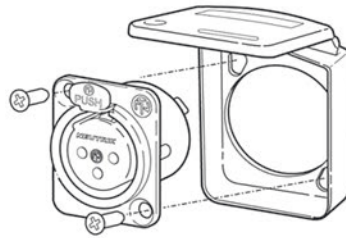


Cover Plates

Cover plate to blank off XLR-hole.

Material: 1.0mm / 20 gauge Steel

Part No.	Description	Weight
60801-20	Cover plate to blank off XLR-hole.	9g/0.32oz
60812-20	Cover plate to change XLR-hole to Telejack.	8g/0.28oz
60817-20	Cover plate to change XLR-hole to RCA/Phono.	9g/0.32oz
60820-20	Cover plate to change XLR-hole to DIN.	7g/0.25oz
60822-20	Cover plate to change XLR-hole to BNC.	9g/0.32oz



SCDX

Hinged cover for all D-size chassis connectors

This hinged cover seals D-size chassis connectors from water, dust and dirt in unmated condition according to IP42. It is available in different colours.

SCDX - black (if used with opticalCON, black indicates multi-mode)

SCDX-5 - green (if used with opticalCON, green indicates single-mode APC)

SCDX-6 - blue (if used with opticalCON, blue indicates single-mode PC)

SCDX-9 - white (e.g. wall outlet)

Part No.	Description
CONSCDX	Hinged cover



DSSx

Coloured lettering plate for D-shape-connectors

Part No.	Description	Color coding
CODSS0	Coloured plate	Black
CODSS1	Coloured plate	Brown
CODSS2	Coloured plate	Red
CODSS3	Coloured plate	Orange
CODSS4	Coloured plate	Yellow
CODSS5	Coloured plate	Green
CODSS6	Coloured plate	Blue
CODSS7	Coloured plate	Violet
CODSS8	Coloured plate	Grey
CODSS9	Coloured plate	White



BSPx

Coloured boots for for NPC series Jacks + Neutricon

Part No.	Description	Color coding
COBSP0	Coloured boots	Black
COBSP1	Coloured boots	Brown
COBSP2	Coloured boots	Red
COBSP3	Coloured boots	Orange
COBSP4	Coloured boots	Yellow
COBSP5	Coloured boots	Green
COBSP6	Coloured boots	Blue
COBSP7	Coloured boots	Violet
COBSP8	Coloured boots	Grey
COBSP9	Coloured boots	White

BXXx

Bushings for colour coding.



Part No.	Description	Color coding
COBXX0	Coloured bushing	Black
COBXX1	Coloured bushing	Brown
COBXX2	Coloured bushing	Red
COBXX3	Coloured bushing	Orange
COBXX4	Coloured bushing	Yellow
COBXX5	Coloured bushing	Green
COBXX6	Coloured bushing	Blue
COBXX7	Coloured bushing	Violet
COBXX8	Coloured bushing	Grey
COBXX9	Coloured bushing	White

XXCR

Transparent coding ring which allows an individual customized labeling, branding, coding etc.



Just place an individual coloured and or lettered paper or tape (eg. Brothers) inside the ring.

Part No.	Description
COXXCR	Transparent coding ring



XXRx

Coloured coding rings.
Insert must not be unsoldered to change the colour coding.

Part No.	Description	Color coding
COXXR0	Coloured ring	Black
COXXR1	Coloured ring	Brown
COXXR2	Coloured ring	Red
COXXR3	Coloured ring	Orange
COXXR4	Coloured ring	Yellow
COXXR5	Coloured ring	Green
COXXR6	Coloured ring	Blue
COXXR7	Coloured ring	Violet
COXXR8	Coloured ring	Grey
COXXR9	Coloured ring	White

PXRx

Coloured rings with flat label surface for PX-Series.



Part No.	Colour
COPXR0	Black
COPXR1	Brown
COPXR2	Red
COPXR3	Orange
COPXR4	Yellow
COPXR5	Green
COPXR6	Blue
COPXR7	Violet
COPXR8	Grey
COPXR9	White

NLFASTON

Faston Receptacle for Speakon Chassis
Faston receptacle with Positive lock for use with NL4MP, NL4MPR, NL8MPR
Wire size: 0.8 - 2 mm
Wiring: flat tabs for 3/16in (FASTON 4.8 x 0.5 mm)
Bag quantity = 100



Part No.	Description
CONLFAS	Faston Receptacle

BPXx

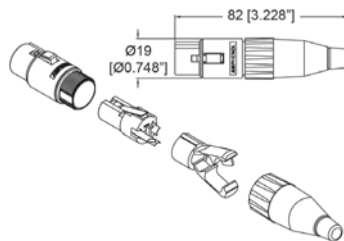
Coloured boots for PX-Series.



Part No.	Colour
COBPX0	Black
COBPX1	Brown
COBPX2	Red
COBPX3	Orange
COBPX4	Yellow
COBPX5	Green
COBPX6	Blue
COBPX7	Violet
COBPX8	Grey
COBPX9	White

XLR Connectors

Amphenol



AC3F

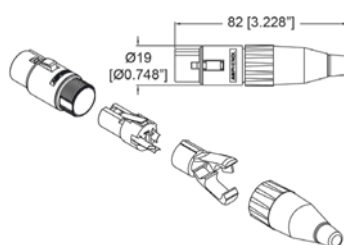
Amphenol AC Series XLR 3 Pole Female Cable Connectors

- Stamped contacts
 - Tin Plating
 - Shell Finish: Nickel or Black
 - Backshell Finish: Black
 - Quick and easy assembly without screws
- With "Jaws" Cable Retention System that provides up to 44kg/97lb of strain
Compatible with all other XLR brands

Material: Thermoplastic / Zinc Die-cast

Part No.	Finish	Backshell Finish	Description	Weight
COAC3F	Black/Nickel	Black	XLR 3 Pole Female Connector	36g/1.27oz
COAC3FB	Black/Black	Black	XLR 3 Pole Female Connector	36g/1.27oz

Amphenol



AC3F Colored Series

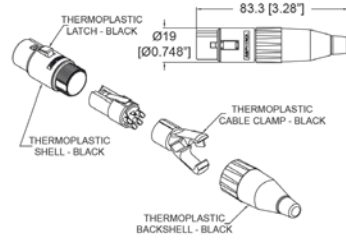
Amphenol AC Series XLR 3 Pole Female Cable Connectors

- Stamped contacts
 - Tin Plating
 - Shell Finish: Nickel
 - Many backshell finish available
 - Quick and easy assembly without screws
- With "Jaws" Cable Retention System that provides up to 44kg/97lb of strain
Compatible with all other XLR brands

Material: Thermoplastic / Zinc Die-cast

Part No.	Finish	Backshell Finish	Description	Weight
COAC3FBLU	Blue/Nickel	Blue	XLR 3 Pole Female Connector	36g/1.27oz
COAC3FGRY	Grey/Nickel	Grey		
COAC3FGRN	Green/Nickel	Green		
COAC3FYEL	Yellow/Nickel	Yellow		
COAC3FRED	Red/Nickel	Red		
COAC3FWHT	White/Nickel	White		
COAC3FVIO	Purple/Nickel	Violet		
COAC3FBRN	Brown/Nickel	Brown		
COAC3FORG	Orange/Nickel	Orange		

Amphenol



AC3FCP

Amphenol AC Series XLR 3 Pole Female Cable Connectors with Thermoplastic Shell

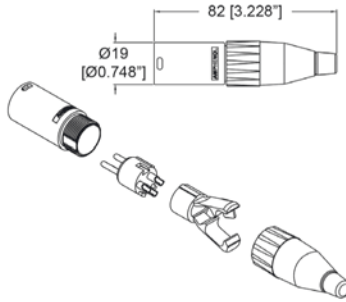
- Stamped contacts
- Silver Plating
- Shell Finish: Black Thermoplastic
- Backshell Finish: Black
- Quick and easy assembly without screws

With "Jaws" Cable Retention System that provides up to 44kg/97lb of strain
Compatible with all other XLR brands

Material: Thermoplastic

Part No.	Finish	Backshell Finish	Description	Weight
COAC3FCP	Black/Black	Black	XLR 3 Pole Female Connector	0.18kg/0.4lb

Amphenol



AC3M

Amphenol AC Series XLR 3 Pole Male Cable Connectors

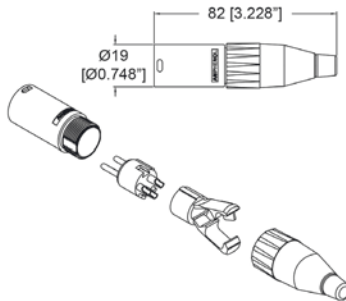
- Stamped contacts
- Silver Plating
- Shell Finish: Nickel
- Backshell Finish: Black
- Quick and easy assembly without screws

With "Jaws" Cable Retention System that provides up to 44kg/97lb of strain
Compatible with all other XLR brands

Material: Thermoplastic / Zinc Die-cast

Part No.	Finish	Backshell Finish	Description	Weight
COAC3M	Black/Nickel	Black	XLR 3 Pole Male Connector	36g/1.27oz

Amphenol



AC3M Colored Series

Amphenol AC Series XLR 3 Pole Male Cable Connectors

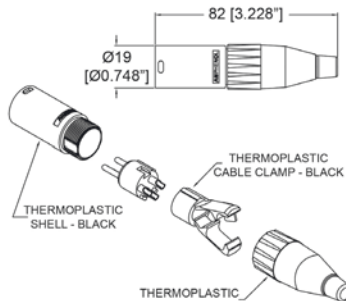
- Stamped contacts
- Silver Plating
- Shell Finish: Nickel
- Many backshell finish available
- Quick and easy assembly without screws

With "Jaws" Cable Retention System that provides up to 44kg/97lb of strain
Compatible with all other XLR brands

Material: Thermoplastic / Zinc Die-cast

Part No.	Finish	Backshell Finish	Description	Weight
COAC3MBLU	Blue/Nickel	Blue	XLR 3 Pole Male Connector	36g/1.27oz
COAC3MGRY	Grey/Nickel	Grey		
COAC3MYEL	Yellow/Nickel	Yellow		
COAC3MRED	Red/Nickel	Red		
COAC3MWHT	White/Nickel	White		
COAC3MORG	Orange/Nickel	Orange		

Amphenol



AC3MCP

Amphenol AC Series XLR 3 Pole Male Cable Connectors with Thermoplastic Shell

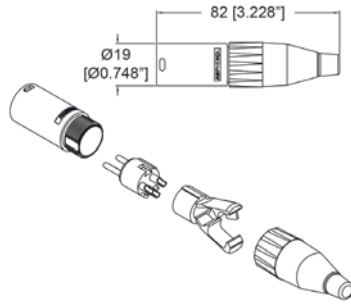
- Stamped contacts
- Silver Plating
- Shell Finish: Black Thermoplastic
- Backshell Finish: Black
- Quick and easy assembly without screws

With "Jaws" Cable Retention System that provides up to 44kg/97lb of strain
Compatible with all other XLR brands

Material: Thermoplastic

Part No.	Finish	Backshell Finish	Description	Weight
COAC3MCP	Black/Black	Black	XLR 3 Pole Male Connector	0.18kg/0.4lb

Amphenol



AC3MM

Amphenol AC Series XLR 3 Pole Male Cable Connectors

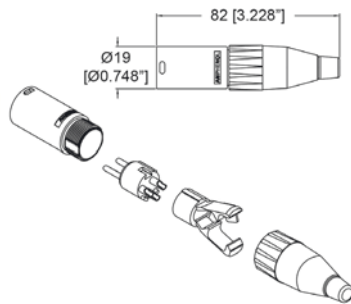
- Machined Contacts
- Silver Plating
- Shell Finish: Nickel or Black
- Backshell Finish: Black
- Quick and easy assembly without screws

With "Jaws" Cable Retention System that provides up to 44kg/97lb of strain
Compatible with all other XLR brands

Material: Thermoplastic / Zinc Die-cast

Part No.	Finish	Backshell Finish	Description	Weight
COAC3MM	Black/Nickel	Black	XLR 3 Pole Male Connector	36g/1.27oz
COAC3MMB	Black/Black	Black	XLR 3 Pole Male Connector	36g/1.27oz

Amphenol



AC3MM Colored Series

Amphenol AC Series XLR 3 Pole Male Cable Connectors

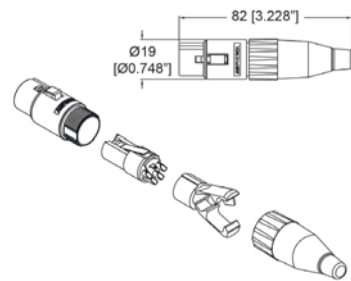
- Machined contacts
- Silver Plating
- Shell Finish: Nickel
- Many backshell finish available
- Quick and easy assembly without screws

With "Jaws" Cable Retention System that provides up to 44kg/97lb of strain
Compatible with all other XLR brands

Material: Thermoplastic / Zinc Die-cast

Part No.	Finish	Backshell Finish	Description	Weight
COAC3MMBLU	Blue/Nickel	Blue	XLR 3 Pole Male Connector	36g/1.27oz
COAC3MMGRY	Grey/Nickel	Grey		
COAC3MMGRN	Green/Nickel	Green		
COAC3MMYEL	Yellow/Nickel	Yellow		
COAC3MMRED	Red/Nickel	Red		
COAC3MMWHT	White/Nickel	White		
COAC3MMVIO	Purple/Nickel	Purple		
COAC3MMBRN	Brown/Nickel	Brown		
COAC3MMORG	Orange/Nickel	Orange		

Amphenol



AC4F

Amphenol AC Series XLR 4 Pole Female Cable Connectors

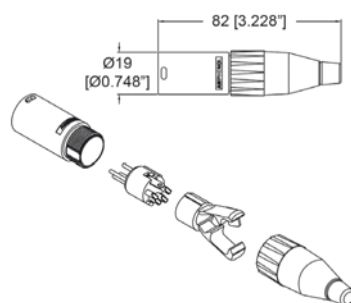
- Machined contacts
- Tin Plating
- Shell Finish: Nickel
- Backshell Finish: Black
- Quick and easy assembly without screws

With "Jaws" Cable Retention System that provides up to 44kg/97lb of strain
Compatible with all other XLR brands

Material: Thermoplastic / Zinc Die-cast

Part No.	Finish	Backshell Finish	Description	Weight
COAC4F	Black/Nickel	Black	XLR 4 Pole Female Connector	37g/1.31oz

Amphenol



AC4M

Amphenol AC Series XLR 4 Pole Male Cable Connectors

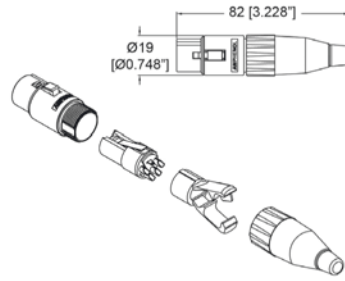
- Machined contacts
- Silver Plating
- Shell Finish: Nickel
- Backshell Finish: Black
- Quick and easy assembly without screws

With "Jaws" Cable Retention System that provides up to 44kg/97lb of strain
Compatible with all other XLR brands

Material: Thermoplastic / Zinc Die-cast

Part No.	Finish	Backshell Finish	Description	Weight
COAC4M	Black/Nickel	Black	XLR 4 Pole Male Connector	37g/1.31oz

Amphenol



AC5F

Amphenol AC Series XLR 5 Pole Female Cable Connectors

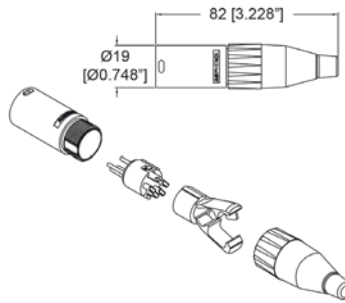
- Machined contacts
- Tin Plating
- Shell Finish: Nickel or Black
- Backshell Finish: Black
- Quick and easy assembly without screws

With "Jaws" Cable Retention System that provides up to 44kg/97lb of strain
Compatible with all other XLR brands

Material: Thermoplastic / Zinc Die-cast

Part No.	Finish	Backshell Finish	Description	Weight
COAC5F	Black/Nickel	Black	XLR 5 Pole Female Connector	37g/1.31oz
COAC5FB	Black/Black	Black	XLR 5 Pole Female Connector	37g/1.31oz

Amphenol



AC5M

Amphenol AC Series XLR 5 Pole Male Cable Connectors

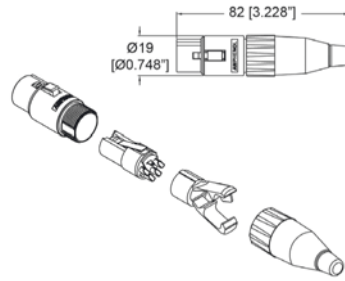
- Machined contacts
- Silver Plating
- Shell Finish: Nickel or Black
- Backshell Finish: Black
- Quick and easy assembly without screws

With "Jaws" Cable Retention System that provides up to 44kg/97lb of strain
Compatible with all other XLR brands

Material: Thermoplastic / Zinc Die-cast

Part No.	Finish	Backshell Finish	Description	Weight
COAC5M	Black/Nickel	Black	XLR 5 Pole Male Connector	37g/1.31oz
COAC5MB	Black/Black	Black	XLR 5 Pole Male Connector	37g/1.31oz

Amphenol



AC7F

Amphenol AC Series XLR 7 Pole Female Cable Connectors

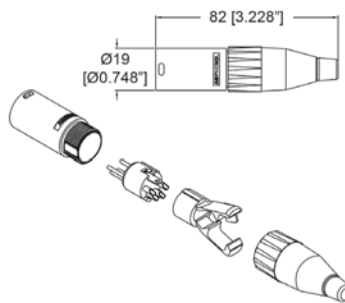
- Machined contacts
- Gold Plating
- Shell Finish: Nickel
- Backshell Finish: Black
- Quick and easy assembly without screws

With "Jaws" Cable Retention System that provides up to 44kg/97lb of strain
Compatible with all other XLR brands

Material: Thermoplastic / Zinc Die-cast

Part No.	Finish	Backshell Finish	Description	Weight
COAC7F	Black/Nickel	Black	XLR 7 Pole Female Connector	38g/1.34oz

Amphenol



AC7M

Amphenol AC Series XLR 7 Pole Male Cable Connectors

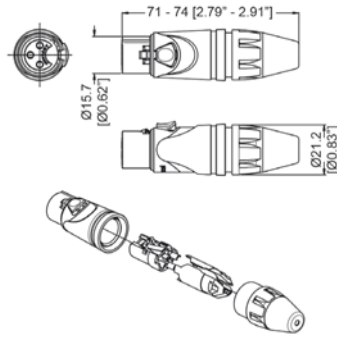
- Machined contacts
- Gold Plating
- Shell Finish: Nickel
- Backshell Finish: Black
- Quick and easy assembly without screws

With "Jaws" Cable Retention System that provides up to 44kg/97lb of strain
Compatible with all other XLR brands

Material: Thermoplastic / Zinc Die-cast

Part No.	Finish	Backshell Finish	Description	Weight
COAC7M	Black/Nickel	Black	XLR 7 Pole Male Connector	38g/1.34oz

Amphenol



AX3F

Amphenol AX Series XLR 3 Pole Female Cable Connectors

- Machined contacts
- Tin Contacts
- Shell Finish: Nickel or Black
- Backhell Finish: Black
- Quick and easy assembly without screws

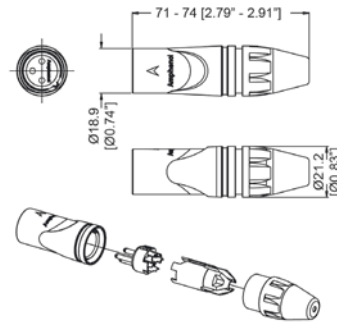
One piece ground / latch spring design incorporating twin wipe contacts for a direct connection path from mating shell to ground providing enhanced connection and EMI performance

Compatible with all other XLR brands

Material: Zinc Die-cast

Part No.	Finish	Description	Weight
COAX3F	Black/Nickel	3 Pole Female Connector	31g/1.09oz
COAX3FB	Black/Black	3 Pole Female Connector	31g/1.09oz

Amphenol



AX3M

Amphenol AX Series XLR 3 Pole Male Cable Connectors

- Machined contacts
- Silver Contacts
- Shell Finish: Nickel or Black
- Backhell Finish: Black
- Quick and easy assembly without screws

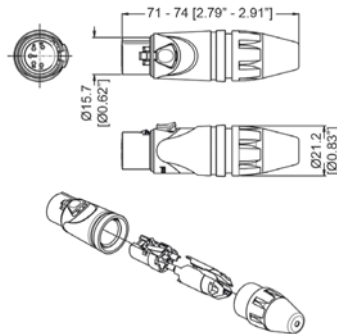
One piece ground / latch spring design incorporating twin wipe contacts for a direct connection path from mating shell to ground providing enhanced connection and EMI performance

Compatible with all other XLR brands

Material: Zinc Die-cast

Part No.	Finish	Description	Weight
COAX3M	Black/Nickel	3 Pole Male Connector	36g/1.27oz
COAX3MB	Black/Black	3 Pole Male Connector	36g/1.27oz

Amphenol



AX5F NEW!

Amphenol AX Series XLR 5 Pole Female Cable Connectors

- Machined contacts
- Silver Contacts
- Shell Finish: Nickel or Black
- Backhell Finish: Black
- Quick and easy assembly without screws

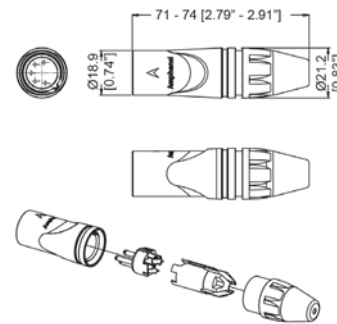
One piece ground / latch spring design incorporating twin wipe contacts for a direct connection path from mating shell to ground providing enhanced connection and EMI performance

Compatible with all other XLR brands

Material: Zinc Die-cast

Part No.	Finish	Description	Weight
COAX5F	Black/Nickel	5 Pole Female Connector	33g/1.16oz
COAX5FB	Black/Black	5 Pole Female Connector	33g/1.16oz

Amphenol



AX5M NEW!

Amphenol AX Series XLR 5 Pole Male Cable Connectors

- Machined contacts
- Silver Contacts
- Shell Finish: Nickel or Black
- Backhell Finish: Black
- Quick and easy assembly without screws

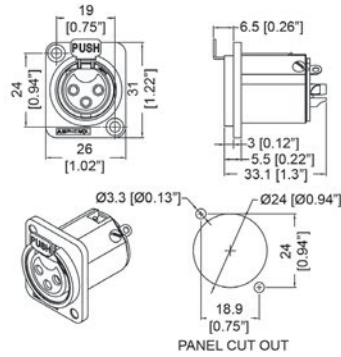
One piece ground / latch spring design incorporating twin wipe contacts for a direct connection path from mating shell to ground providing enhanced connection and EMI performance

Compatible with all other XLR brands

Material: Zinc Die-cast

Part No.	Finish	Description	Weight
COAX5M	Black/Nickel	5 Pole Male Connector	33g/1.16oz
COAX5MB	Black/Black	5 Pole Male Connector	33g/1.16oz

Amphenol



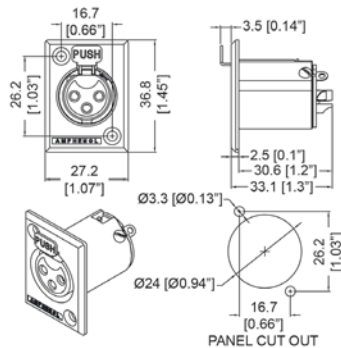
AC3FDZ

- Amphenol AC "Z" Series XLR 3 Pole Female in D Size Chassis Mount
- D size housing can be front or rear mounted using the same panel cutout.
 - Stamped contacts
 - Tin Plating
 - Solder Bucket
- Compatible with all other XLR brands

Material: Zinc Die-cast

Part No.	Finish	Description	Weight
COAC3FDZ	Nickel	XLR 3 Pole Female D Size Chassis	31g/1.09oz
COAC3FDZB	Black		

Amphenol



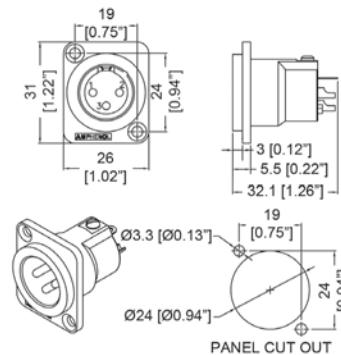
AC3FPZ

- Amphenol AC "Z" Series XLR 3 Pole Female in P Size Chassis Mount
- The "P" size housing is the original wide flange front mounting XLR connector
 - Stamped contacts
 - Tin Plating
 - Solder Bucket
- Compatible with all other XLR brands

Material: Zinc Die-cast

Part No.	Finish	Description	Weight
COAC3FPZ	Nickel	XLR 3 Pole Female P Size Chassis	31g/1.09oz
COAC3FPZB	Black		

Amphenol



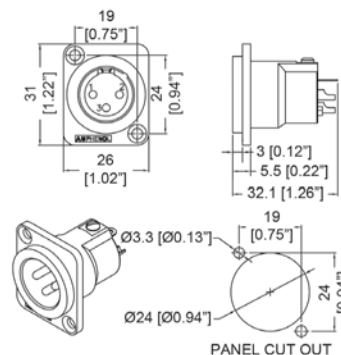
AC3MDZ

- Amphenol AC "Z" Series XLR 3 Pole Male in D Size Chassis Mount
- D size housing can be front or rear mounted using the same panel cutout.
 - Stamped contacts
 - Silver Plating
 - Solder Bucket
- Compatible with all other XLR brands

Material: Zinc Die-cast

Part No.	Finish	Description	Weight
COAC3MDZ	Nickel	XLR 3 Pole Male Chassis	31g/1.09oz
COAC3MDZB	Black		

Amphenol



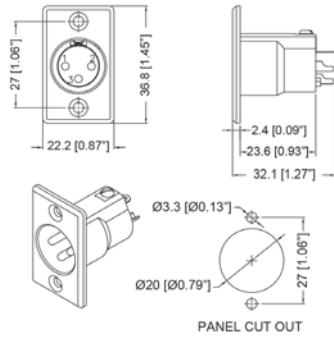
AC3MMDZ

- Amphenol AC "Z" Series XLR 3 Pole Male in D Size Chassis Mount
- D size housing can be front or rear mounted using the same panel cutout.
 - Machined contacts
 - Silver Plating
 - Solder Bucket
- Compatible with all other XLR brands

Material: Zinc Die-cast

Part No.	Finish	Description	Weight
COAC3MMDZ	Nickel	XLR 3 Pole Male	31g/1.09oz
COAC3MMDZB	Black		

Amphenol



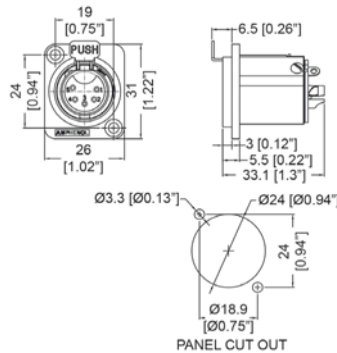
AC3MMPNZ

Amphenol AC "Z" Series XLR 3 Pole Female in PN Size Chassis Mount
 - "PN" is the original narrow flange front mounting male connector
 - Machined contacts
 - Silver Plating
 - Solder Bucket
 Compatible with all other XLR brands

Material: Zinc Die-cast

Part No.	Finish	Description	Weight
COAC3MMPNZ	Nickel	XLR 3 Pole Female PN Size Chassis	31g/1.09oz

Amphenol



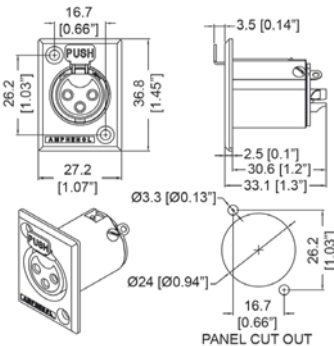
AC5FDZ

Amphenol AC "Z" Series XLR 5 Pole Female in D Size Chassis Mount
 - D size housing can be front or rear mounted using the same panel cutout.
 - Machined contacts
 - Tin Plating
 - Solder Bucket
 Compatible with all other XLR brands

Material: Zinc Die-cast

Part No.	Finish	Description	Weight
COAC5FDZ	Nickel	XLR 5 Pole Female D Size Chassis	33g/1.16oz
COAC5FDZB	Black		

Amphenol



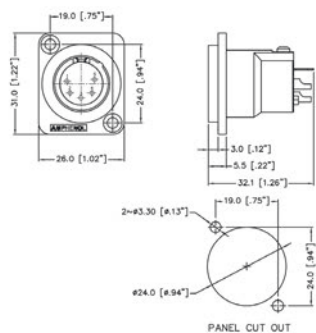
AC5FPZ

Amphenol AC "Z" Series XLR 5 Pole Female in P Size Chassis Mount
 - The "P" size housing is the original wide flange front mounting XLR connector
 - Machined contacts
 - Tin Plating
 - Solder Bucket
 Compatible with all other XLR brands

Material: Zinc Die-cast

Part No.	Finish	Description	Weight
COAC5FPZ	Nickel	XLR 5 Pole Female P Size Chassis	33g/1.16oz

Amphenol



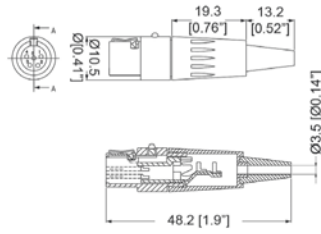
AC5MDZ NEW!

Amphenol AC "Z" Series XLR 5 Pole Male in D Size Chassis Mount
 - D size housing can be front or rear mounted using the same panel cutout.
 - Stamped contacts
 - Silver Plating
 - Solder Bucket
 Compatible with all other XLR brands

Material: Zinc Die-cast

Part No.	Finish	Description	Weight
COAC5MDZ	Nickel	XLR 5 Pole Male Chassis	33g/1.16oz
COAC5MDZB	Black		

Amphenol



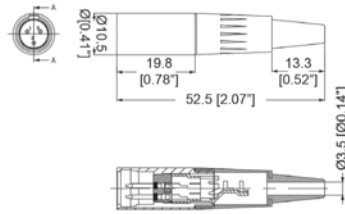
AG3F

- Amphenol G Type Mini XLR 3 Pole Female Cable Connector
- 3 Pole
 - Stamped Contacts
 - Gold over Silver Plating
 - Miniature version of the standard XLR series

Material: Thermoplastic / Zinc Die-cast

Part No.	Finish	Description	Weight
COAG3F	Black/Nickel	Mini XLR 3 Pole Female Connector	13.5g/0.48oz

Amphenol



AG3M

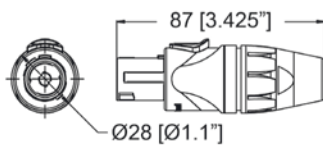
- Amphenol G Type Mini XLR 3 Pole Male Cable Connector
- 3 Pole
 - Machined Contacts
 - Gold over Silver Plating
 - Miniature version of the standard XLR series

Material: Thermoplastic / Zinc Die-cast

Part No.	Finish	Description	Weight
COAG3M	Black/Nickel	Mini XLR 3 Pole Male Connector	13.5g/0.48oz

Loudspeaker Connectors

Amphenol



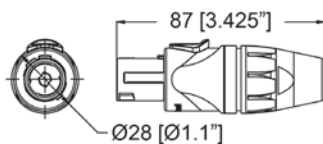
SP-2-F

- Amphenol SP Series 2 Pole Loudspeaker Cable Connectors
- 2 pole
 - Connector Shell: Thermoplastic
 - Backshell: Thermoplastic
 - Screw Contacts
 - Silver Plating
 - Quick release, vibration resistant latch lock
 - 30A Current rating
 - UL, cUL recognized components (File no. E339831)
 - Industry standard mating

Material: Thermoplastic

Part No.	Finish	Description	Weight
COSP2F	Black/Blue	2 pole Loudspeaker Cable Connectors	44g/1.55oz

Amphenol



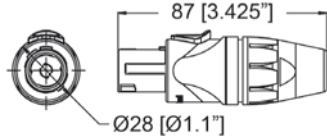
SP-2-FN

- Amphenol SP Series 2 Pole Loudspeaker Cable Connectors
- 2 pole
 - Connector Shell: Nickel
 - Backshell: Thermoplastic
 - Screw Contacts
 - Silver Plating
 - Quick release, vibration resistant latch lock
 - 30A Current rating
 - UL, cUL recognized components (File no. E339831)
 - Industry standard mating

Material: Thermoplastic / Zinc Die-cast

Part No.	Finish	Description	Weight
COSP2FN	Black/Blue/Nickel	2 pole Loudspeaker Cable Connectors	65g/2.29oz

Amphenol



SP-4-F

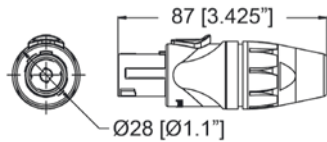
Amphenol SP Series 4 Pole Loudspeaker Cable Connectors

- 4 pole
- Connector Shell: Thermoplastic
- Backshell: Thermoplastic
- Screw Contacts
- Silver Plating
- Quick release, vibration resistant latch lock
- 30A Current rating
- UL, cUL recognized components (File no. E339831)
- Industry standard mating

Material: Thermoplastic

Part No.	Finish	Description	Weight
COSP4F	Black/Blue	4 pole Loudspeaker Cable Connectors	44g/1.55oz

Amphenol



SP-4-FN

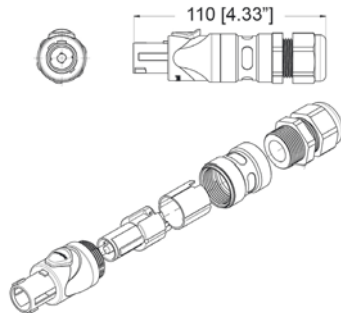
Amphenol SP Series 4 Pole Loudspeaker Cable Connectors

- 4 pole
- Connector Shell: Nickel
- Backshell: Thermoplastic
- Screw Contacts
- Silver Plating
- Quick release, vibration resistant latch lock
- 30A Current rating
- UL, cUL recognized components (File no. E339831)
- Industry standard mating

Material: Thermoplastic / Zinc Die-cast

Part No.	Finish	Description	Weight
COSP4FN	Black/Blue/Nickel	4 pole Loudspeaker Cable Connectors	65g/2.29oz

Amphenol



SP-4-FG NEW!

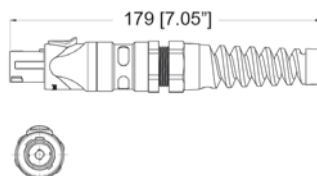
Amphenol SP Series 4 Pole Loudspeaker Cable Connectors with PG gland

- 4 pole
- With PG gland
- Connector Shell: Thermoplastic
- Backshell: Thermoplastic
- Silver Plating
- Quick release, vibration resistant latch lock
- 30A Current rating
- UL, cUL recognized components (File no. E339831)
- Industry standard mating

Material: Thermoplastic

Part No.	Finish	Description	Contacts	Weight
COSP4FG	Black/Blue	4 pole Loudspeaker Connector with PG gland	Screw Contacts	68g/2.4oz
COSP4FSG	Black/Blue	4 pole Loudspeaker Connector with PG gland	Solder Contacts	68g/2.4oz

Amphenol



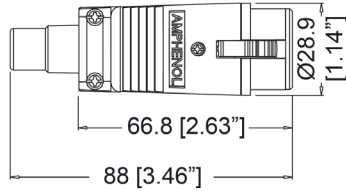
SP-4-FL NEW!

Amphenol SP Series 4 Pole Loudspeaker Cable Connectors with PG Gland Strain Relief

- 4 pole
- With PG Gland Strain Relief
- Connector Shell: Thermoplastic
- Backshell: Thermoplastic
- Silver Plating
- Quick release, vibration resistant latch lock
- 30A Current rating
- UL, cUL recognized components (File no. E339831)
- Industry standard mating

Part No.	Finish	Description	Terminals	Weight
COSP4FL	Black/Blue	4 pole Loudspeaker Connector with PG gland Strain Relief	Screw Contacts	68g/2.4oz
COSP4FSL	Black/Blue	4 pole Loudspeaker Connector with PG gland Strain Relief	Solder Contacts	68g/2.4oz

Amphenol



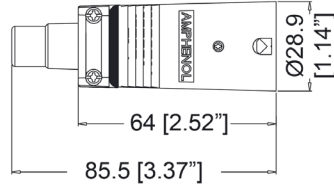
EP-5-11P NEW!

- Amphenol EP Series 5 Pole Female Speaker Connectors
- Solder bucket connections
- Precision machined contacts
- Die-cast metal housings
- High current contacts

Material: Zinc Die-cast

Part No.	Finish	Description	Weight
COEP511P COEP511PB	Nickel Black	5 Pole Female Speaker Connectors	86g/3.03oz

Amphenol



EP-5-12 NEW!

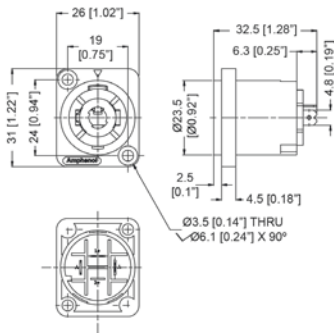
- Amphenol EP Series 5 Pole Male Speaker Connectors
- Solder bucket connections
- Precision machined contacts
- Die-cast metal housings
- High current contacts

Material: Zinc Die-cast

Part No.	Finish	Description	Weight
COEP512 COEP512B	Nickel Black	5 Pole Male Speaker Connectors	86g/3.03oz

Loudspeaker Chassis

Amphenol



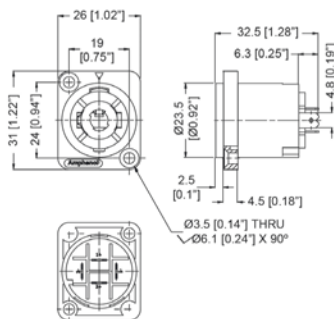
SP-2-MD

- Amphenol SP Series 2 Pole Loudspeaker D Series Chassis Mount
- 2 Pole
- Thru holes
- Solder tabs 3/16"
- D Series flange
- Precision machined contacts
- Silver Plating
- High current contacts for distortion free signal
- Cost effective durable thermoplastic shell
- Available in 2 and 4 contact arrangements
- Quick release, vibration resistant latch lock
- UL, cUL recognized components (File no. E339831)

Material: Thermoplastic

Part No.	Finish	Description	Weight
COSP2MD	Black	2 Pole Loudspeaker D Series Chassis	12g/0.42oz

Amphenol



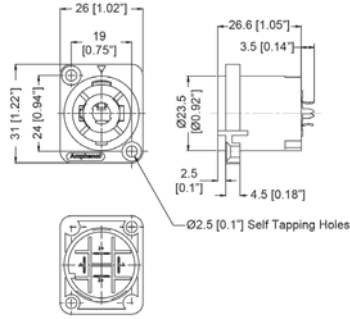
SP-4-MD

- Amphenol SP Series 4 Pole Loudspeaker D Series Chassis Mount
- 4 Pole
- Thru holes
- Solder tabs 3/16"
- D Series flange
- Precision machined contacts
- Silver Plating
- High current contacts for distortion free signal
- Cost effective durable thermoplastic shell
- Available in 2 and 4 contact arrangements
- Quick release, vibration resistant latch lock
- UL, cUL recognized components (File no. E339831)

Material: Thermoplastic

Part No.	Finish	Description	Weight
COSP4MD	Black	4 Pole Loudspeaker D Series Chassis	12g/0.42oz

Amphenol



SP-4-MDVT-8 NEW!

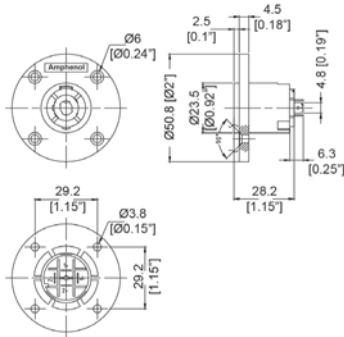
Amphenol SP Series 4 Pole Loudspeaker D Series Chassis Mount Vertical PCB

- 4 Pole
- Self Tapping Holes
- Vertical Printed Circuit Board
- D Series flange
- Precision machined contacts
- Silver Plating
- High current contacts for distortion free signal
- Cost effective durable thermoplastic shell
- Quick release, vibration resistant latch lock
- UL, cUL recognized components (File no. E339831)

Material: Thermoplastic

Part No.	Finish	Description	Weight
COSP4MDVT8	Grey	4 Pole Loudspeaker D Series Chassis Mount Vertical PCB	12g/0.42oz

Amphenol



SP-4-MC

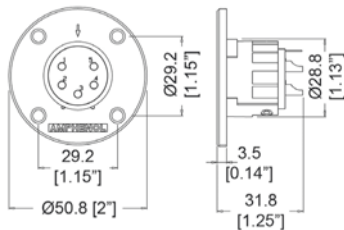
Amphenol SP Series 4 Pole Loudspeaker EP Series Chassis Mount

- 4 Pole
- Thru holes
- Solder tabs 3/16"
- EP Series Circular Flange
- Precision machined contacts
- High current contacts for distortion free signal
- Cost effective durable thermoplastic shell
- Available in 2 and 4 contact arrangements
- Quick release, vibration resistant latch lock
- UL, cUL recognized components (File no. E339831)

Material: Thermoplastic

Part No.	Finish	Description	Weight
COSP4MC	Black	2 Pole Loudspeaker EP Series Chassis	12g/0.42oz

Amphenol



EP-5-13P NEW!

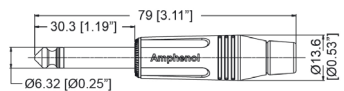
Amphenol EP Series 5 Pole EP Female Chassis Mount

- Round Flange
- Solder Bucket connections.
- Precision machined contacts.
- Die-cast Metal Housings
- High current contacts

Part No.	Finish	Description	Weight
COEP513P COEP513PB	Nickel Black	5 Pole EP Female chassis mount	54g/1.9oz

1/4" Phone Plug Connectors

Amphenol



ACPM-GN

Amphenol 1/4" (6.35mm) Mono Phone plug connector Musician Series

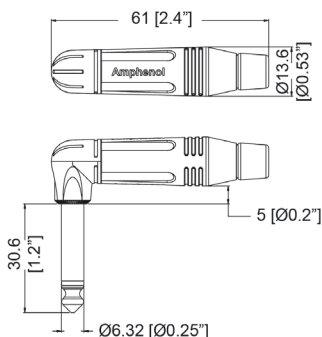
- Mono
- Brass Contact Plating
- Die-cast Shell
- Flexible Grommet

Material: Zinc Die-cast

Part No.	Finish	Description
COACPMGN COACPMGB	Satin Black	1/4" Mono Phone Plug Connector

150 - 1/4" Phone Plug Connectors

Amphenol



ACPM-RB

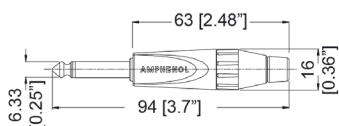
Amphenol 1/4" (6.35mm) Right Angle Mono Phone Plug Connector Musician Series

- Mono
- Brass Contact Plating
- Die-Cast Shell
- Flexible Grommet

Material: Zinc Die-cast

Part No.	Finish	Description
COACPMRN	Satin	1/4" Mono Right Angle Phone Plug Connector
COACPMRB	Black	1/4" Mono Right Angle Phone Plug Connector

Amphenol



TM2P

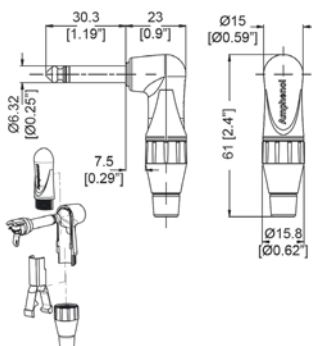
Amphenol 1/4" (6.35mm) Mono Phone Plug Connector T-Series

- Mono
- Precision Machined Contacts
- Nickel Plating
- Die-Cast Shell
- Thermoplastic Back Shell
- Stylised Shell Design with Ergonomic Grip
- Increased Solder Area on Ground Contact
- "Jaws" Cable Clamp
- Quick and Easy Assembly

Material: Thermoplastic / Zinc Die-cast

Part No.	Finish	Description	Weight
COTM2P	Satin	1/4" (6.35mm) Mono Phone Plug Connector	28g/0.99oz

Amphenol



TM2RJ

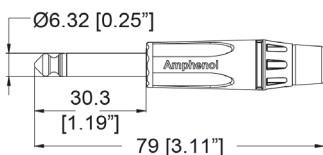
Amphenol 1/4" (6.35mm) Right Angle Mono Phone Plug Connector T-Series

- Mono
- Precision Machined Contacts
- Nickel Plating
- Die-Cast Shell
- Thermoplastic Back Shell
- Stylised Shell Design with Ergonomic Grip
- Increased Solder Area on Ground Contact
- "Jaws" Cable Clamp
- Quick and Easy Assembly

Material: Thermoplastic / Zinc Die-cast

Part No.	Finish	Description	Weight
COTM2RJ	Satin	1/4" (6.35mm) Right Angle Mono Phone Plug Connector	28g/0.99oz

Amphenol



ACPM-K **NEW!**

Amphenol 1/4" (6.35mm) Mono Phone plug connector Musician Series II

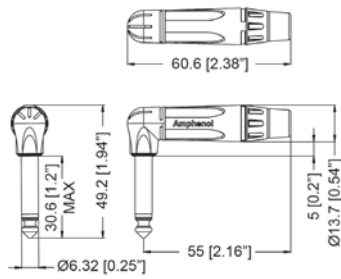
- Mono
- Die-cast Shell
- Flexible Grommet

Material: Zinc Die-cast

Part No.	Finish	Description	Contacts	Weight
COACPMKN	Satin	1/4" (6.35mm) Mono Phone plug connector	Brass Plating	18g/0.63oz
COACPMKNAU	Black	1/4" (6.35mm) Mono Phone plug connector	Gold Plating	18g/0.63oz

Part No.	Finish	Description	Contacts	Weight
COACPMKB	Black	1/4" (6.35mm) Mono Phone plug connector	Brass Plating	18g/0.63oz
COACPMKBAU	Satin	1/4" (6.35mm) Mono Phone plug connector	Gold Plating	18g/0.63oz

Amphenol



ACPM-T NEW!

Amphenol 1/4" (6.35mm) Right Angle Mono Phone plug connector Musician Series II

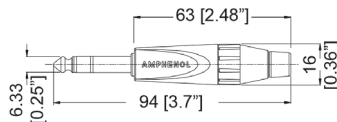
- Mono
- Die-cast Shell
- Flexible Grommet

Material: Zinc Die-cast

Part No.	Finish	Description	Contacts	Weight
COACPMTN COACPMTNAU	Satin	1/4" Mono Right Angle Phone Plug Connector	Brass Plating Gold Plating	25g/0.88oz

Part No.	Finish	Description	Contacts	Weight
COACPMTB COACPMTBAU	Black	1/4" Mono Right Angle Phone Plug Connector	Brass Plating Gold Plating	25g/0.88oz

Amphenol



TS3P

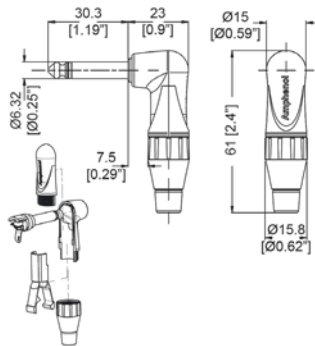
Amphenol 1/4" (6.35mm) Stereo Phone Plug Connector T-Series

- Stereo
- Precision Machined Contacts
- Nickel Plating
- Die-Cast Shell
- Thermoplastic Back Shell
- Stylised Shell Design with Ergonomic Grip
- Increased Solder Area on Ground Contact
- "Jaws" Cable Clamp
- Quick and Easy Assembly

Material: Thermoplastic / Zinc Die-cast

Part No.	Finish	Description	Weight
COTS3P	Satin	1/4" (6.35mm) Stereo Phone Plug Connector	28g/0.99oz

Amphenol



TS3RJ

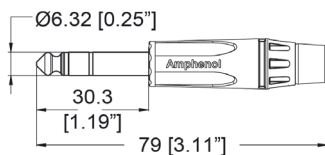
Amphenol 1/4" (6.35mm) Right Angle Stereo Phone Plug Connector T-Series

- Stereo
- Precision Machined Contacts
- Nickel Plating
- Die-Cast Shell
- Thermoplastic Back Shell
- Stylised Shell Design with Ergonomic Grip
- Increased Solder Area on Ground Contact
- "Jaws" Cable Clamp
- Quick and Easy Assembly

Material: Thermoplastic / Zinc Die-cast

Part No.	Finish	Description	Weight
COTS3RJ	Satin	1/4" (6.35mm) Right Angle Stereo Phone Plug Connector	28g/0.99oz

Amphenol



ACPS-K NEW!

Amphenol 1/4" (6.35mm) Stereo plug connector Musician Series II

- Stereo
- Die-cast Shell
- Flexible Grommet

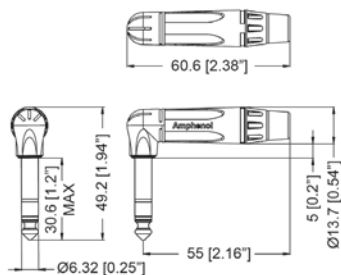
Material: Zinc Die-cast

Part No.	Finish	Description	Contacts	Weight
COACPSKN COACPSKNAU	Satin	1/4" Stereo Phone Plug Connector	Brass Plating Gold Plating	18g/0.63oz

Part No.	Finish	Description	Contacts	Weight
COACPSKB COACPSKBAU	Black	1/4" Stereo Phone Plug Connector	Brass Plating Gold Plating	18g/0.63oz

152 - 1/4" Phone Plug Connectors

Amphenol



ACPS-T **NEW!**

Amphenol 1/4" (6.35mm) Right Angle Stereo Phone plug connector Musician Series II

- Stereo
- Die-cast Shell
- Flexible Grommet

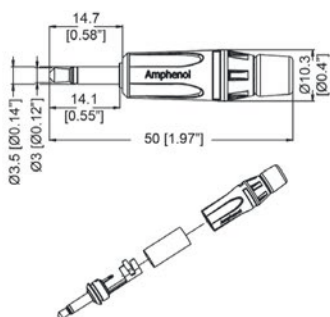
Material: Zinc Die-cast

Part No.	Finish	Description	Contacts	Weight
COACPSTN COACPSTNAU	Satin	1/4" Stereo Right Angle Phone Plug Connector	Brass Plating Gold Plating	25g/0.88oz

Part No.	Finish	Description	Contacts	Weight
COACPSTB COACPSTBAU	Black	1/4" Stereo Right Angle Phone Plug Connector	Brass Plating Gold Plating	25g/0.88oz

3.5mm Phone Plug Connectors

Amphenol



KM2P

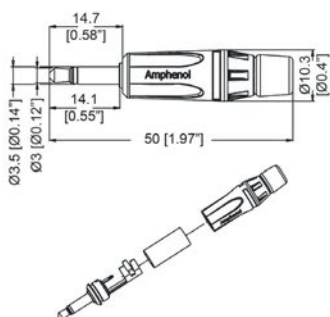
Amphenol 3.5mm / 1/8" Mono Phone Plug

- 2 Pole (Mono)
- Nickel Finish
- Solder Contacts
- Nickel Plating
- Suits Cable O.D 2.5mm / 3/32" To 5mm / 3/16"
- Stylised Shell Design
- Flexible Cable Grommet
- Metal Cable Clamp

Material: Zinc Die-cast

Part No.	Finish	Description	Weight
COKM2P	Nickel	3.5mm / 1/8" Stereo Phone Plug Connector	8g/0.28oz

Amphenol



KM2PB

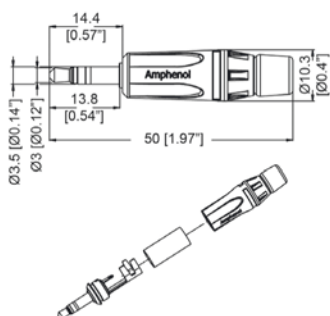
Amphenol 3.5mm / 1/8" Mono Phone Plug

- 2 Pole (Mono)
- Black Finish
- Solder Contacts
- Nickel Plating
- Suits Cable O.D 2.5mm / 3/32" To 5mm / 3/16"
- Stylised Shell Design
- Flexible Cable Grommet
- Metal Cable Clamp

Material: Zinc Die-cast

Part No.	Finish	Description	Weight
COKM2PB	Black	3.5mm / 1/8" Stereo Phone Plug Connector	8g/0.28oz

Amphenol



KS3P

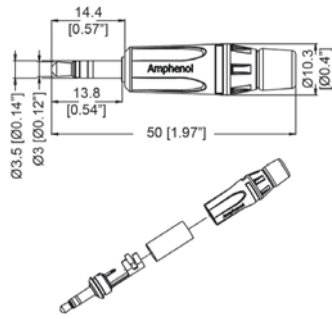
Amphenol 3.5mm / 1/8" Stereo Phone Plug

- 3 Pole (Stereo)
- Nickel Finish
- Solder Contacts
- Nickel Plating
- Suits Cable O.D 2.5mm / 3/32" To 5mm / 3/16"
- Stylised Shell Design
- Flexible Cable Grommet
- Metal Cable Clamp

Material: Zinc Die-cast

Part No.	Finish	Description	Weight
COKS3P	Nickel	3.5mm / 1/8" Stereo Phone Plug Connector	8g/0.28oz

Amphenol



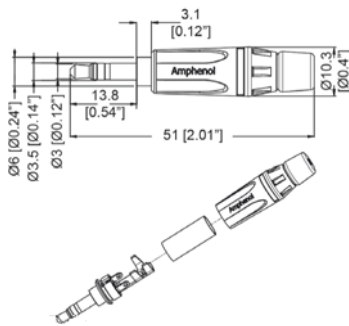
KS3PB

- Amphenol 3.5mm / 1/8" Stereo Phone Plug
- 3 Pole (Stereo)
 - Nickel Finish
 - Solder Contacts
 - Nickel Plating
 - Suits Cable O.D 2.5mm / 3/32" To 5mm / 3/16"
 - Stylised Shell Design
 - Flexible Cable Grommet
 - Metal Cable Clamp

Material: Zinc Die-cast

Part No.	Finish	Description	Weight
COKS3PB	Black	3.5mm / 1/8" Stereo Phone Plug Connector	8g/0.28oz

Amphenol



KS3PC

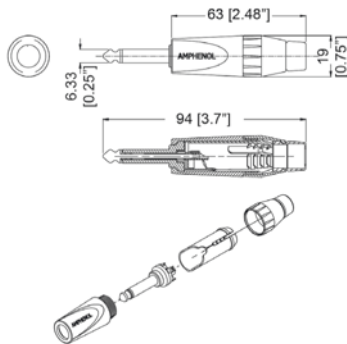
- Amphenol 3.5mm / 1/8" Stereo Phone Plug With Extended Shaft
- 3 Pole (Stereo)
 - Black Chrome Finish
 - Solder Contacts
 - Nickel Plating
 - Suits Cable O.D 2.5mm / 3/32" To 5mm / 3/16"
 - Stylised Shell Design
 - Flexible Cable Grommet
 - Metal Cable Clamp

Material: Zinc Die-cast

Part No.	Finish	Description	Weight
COKS3PC	Black Chrome	3.5mm / 1/8" Stereo Phone Plug Connector with Extended Shaft	8g/0.28oz

Jumbo Phone Plug Connectors

Amphenol



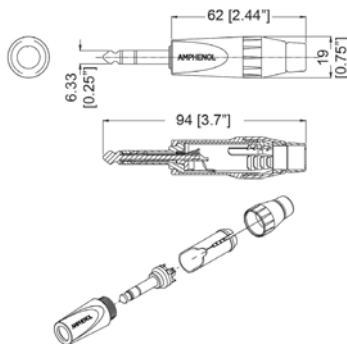
JM2P

- Amphenol T Series Jumbo Mono 1/4" (6.35mm) Phone Plug Connector
- Mono
 - Precision Machined Contacts
 - Nickel Plating
 - Die-Cast Shell
 - Thermoplastic Back Shell
 - JUMBO Cable Clamping Capacity
 - Stylised Shell Design with Ergonomic Grip
 - Suits Cable OD 7.5mm (0.295") To 10.5mm (0.413")
 - Increased Solder Area on Ground Contact
 - Quick and Easy Assembly

Material: Thermoplastic / Zinc Die-cast

Part No.	Finish	Description	Weight
COJM2P	Satin	Jumbo Mono 1/4" Phone Plug Connector	35g/1.23oz

Amphenol



JS3P

- Amphenol T Series Jumbo Stereo 1/4" (6.35mm) Phone Plug Connector
- Stereo
 - Precision Machined Contacts
 - Nickel Plating
 - Die-Cast Shell
 - Thermoplastic Back Shell
 - JUMBO Cable Clamping Capacity
 - Stylised Shell Design with Ergonomic Grip
 - Suits Cable OD 7.5mm (0.295") To 10.5mm (0.413")
 - Increased Solder Area on Ground Contact
 - Quick and Easy Assembly

Material: Thermoplastic / Zinc Die-cast

Part No.	Finish	Description	Weight
COJS3P	Satin	Jumbo Stereo 1/4" Phone Plug Connector	35g/1.23oz

Amphenol



ACJM-MV-2

1/4" (6.35mm) Phone Jack Plug with Vertical PCB Mount
 - Metal Bore / Metal Nut / Metal Thread

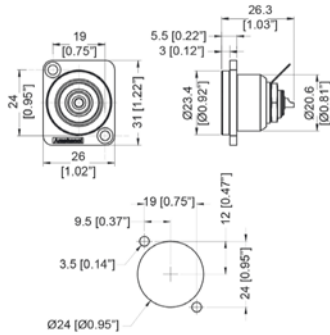
Material: Metal

Part No.	Finish	Description	Weight
COACJMMV2	Black	1/4" Phone Jack Plug with Vertical PCB Mount	18g/0.63oz

Phono (RCA) Connectors

ACJD-BLK

Amphenol



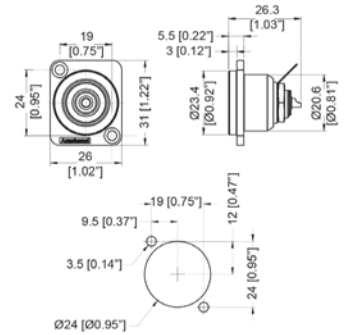
Amphenol RCA Chassis Connectors with Red Insulation
 - Gold Plated Contacts

Material: Zinc Die-cast

Part No.	Finish	Description	Weight
COACJDBLK	Nickel / Black	RCA Chassis Connector	30g/1.06oz

ACJD-RED

Amphenol

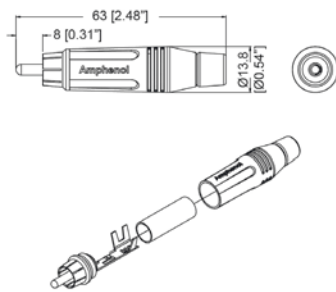


Amphenol RCA Chassis Connector with Red Insulation
 - Gold Plated Contacts

Material: Zinc Die-cast

Part No.	Finish	Description	Weight
COACJDRED	Nickel / Red	RCA Chassis Connector	30g/1.06oz

Amphenol



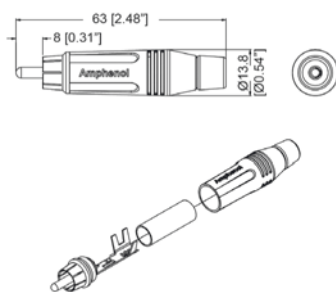
ACPR-BLK

Amphenol Black RCA Cable Connectors Musician Range
 - Black Die-Cast Shell
 - Gold Plated Contacts
 - Flexible Black Grommet Cable Protection
 - Stylish Design
 - Quick and Easy Assembly

Material: Zinc Die-cast

Part No.	Finish	Description	Weight
COACPRBLK	Black	RCA Cable Connectors	18g/0.63oz

Amphenol



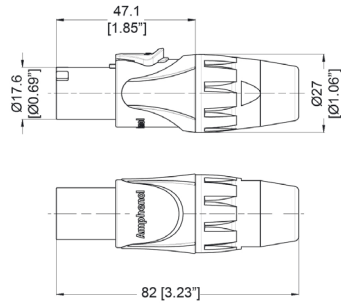
ACPR-RED

Amphenol Red RCA Cable Connectors Musician Range
 - Red Die-Cast Shell
 - Gold Plated Contacts
 - Flexible Red Grommet Cable Protection
 - Stylish Design
 - Quick and Easy Assembly

Material: Zinc Die-cast

Part No.	Finish	Description	Weight
COACPRRED	Red	RCA Cable Connectors	18g/0.63oz

HP-3-F
Amphenol



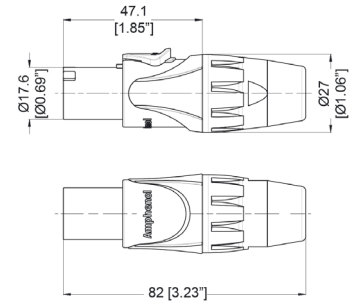
Amphenol HP Series 3 Pole Power-In Cable Connector

- 3 Pole
- Keyed For Power-In
- Screw Terminals
- Silver Plating
- 25a Current Rating
- Industry Standard Mating

Material: Thermoplastic

Part No.	Finish	Description	Weight
COHP3F	Black/Blue	3 Pole Power-In Cable Connector	32g/1.13oz

HP-3-FG
Amphenol



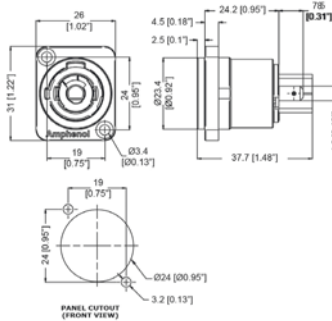
Amphenol HP Series 3 Pole Power-Out Cable Connector

- 3 Pole
- Keyed For Power-Out
- Screw Terminals
- Silver Plating
- 25a Current Rating
- Industry Standard Mating

Material: Thermoplastic

Part No.	Finish	Description	Weight
COHP3FG	Black/Grey	3 Pole Power-Out Cable Connector	32g/1.13oz

HP-3-MD
Amphenol



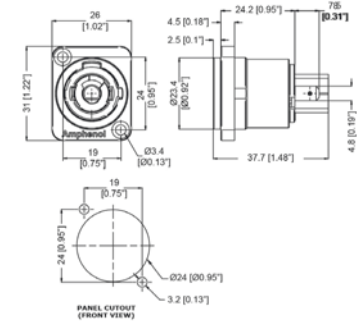
Amphenol HP Series 3 Pole Power-In Chassis Connector with Insulation Divider

- 3 Pole
- Keyed For Power-In
- Solder Tabs 3/16"
- Silver Plating
- With Insulation Divider
- 25a Current Rating
- Industry Standard Mating

Material: Thermoplastic

Part No.	Finish	Description	Weight
COHP3MD	Blue	3 Pole Power-In Chassis Connector	12g/0.42oz

HP-3-MDG
Amphenol



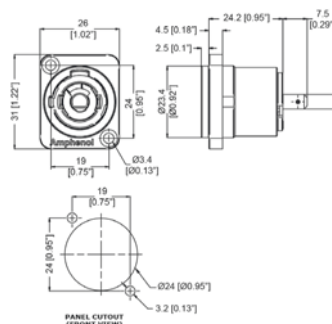
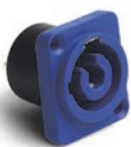
Amphenol HP Series 3 Pole Power-Out Chassis Connector with Insulation Divider

- 3 Pole
- Keyed For Power-Out
- Solder Tabs 3/16"
- Silver Plating
- With Insulation Divider
- 25a Current Rating
- Industry Standard Mating

Material: Thermoplastic

Part No.	Finish	Description	Weight
COHP3MDG	Grey	3 Pole Power-Out Chassis Connector	12g/0.42oz

Amphenol



HP-3-MDW NEW!

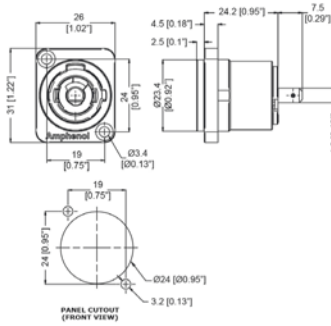
Amphenol HP Series 3 Pole Power-In Chassis Connector without Insulation Divider

- 3 Pole
- Keyed For Power-In
- Solder Tabs 3/16"
- Silver Plating
- Without Insulation Divider
- 25a Current Rating
- Industry Standard Mating

Material: Thermoplastic

Part No.	Finish	Description	Weight
COHP3MDW	Blue	3 Pole Power-In Chassis Connector	12g/0.42oz

Amphenol



HP-3-MDGW *NEW!*

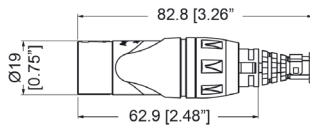
- Amphenol HP Series 3 Pole Power-Out Chassis Connector without Insulation Divider
- 3 Pole
 - Keyed For Power-Out
 - Solder Tabs 3/16"
 - Silver Plating
 - Without Insulation Divider
 - 25a Current Rating
 - Industry Standard Mating

Material: Thermoplastic

Part No.	Finish	Description	Weight
COHP3MDGW	Grey	3 Pole Power-Out Chassis Connector	12g/0.42oz

Ethernet

Amphenol



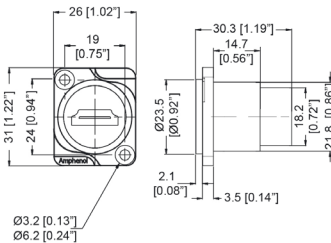
RJX8MB *NEW!*

- Amphenol XLR Cable Plug Housing To Suit Preassembled RJ45 cables
- Designed for pre-assembled RJ45 cables
 - Quick and simple installation
 - Cost effective method for harsh environments
 - No cabling in field required
 - No tools required for installation

Part No.	Finish	Description	Weight
CORJX8MB	Black	XLR RJ45 Cable plug housing	26g/0.92oz

Data

Amphenol



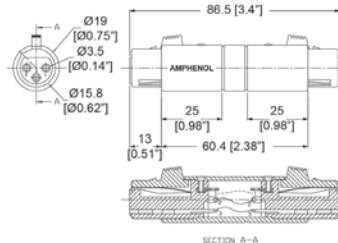
AC-HDMI-RR *NEW!*

Amphenol HDMI Feedthrough adapter in D Size Chassis Mount

Part No.	Finish	Description
COACHDMIRR	Nickel	HDMI Feedthrough adapter

Metal Shell Adapters

Amphenol

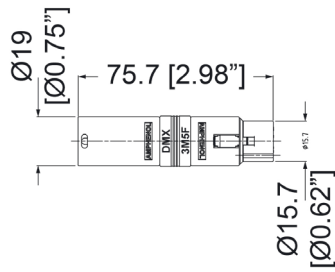


AC3F3FW

- XLR 3 Pole Female to 3 Pole Female Adapter
- Pre-wired for Convenience
 - Metal Shell

Part No.	Finish	Description
COAC3F3FW	Nickel	XLR 3 Pole Female to 3 Pole Female Adapter

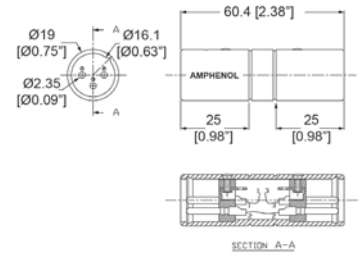
AC3F5MW
Amphenol



XLR 3 Pole Female to 5 Pole Male Adapter
- Pre-wired for Convenience
- Metal Shell

Part No.	Finish	Description
COAC3F5MW	Nickel	XLR 3 Pole Female to 5 Pole Male Adapter

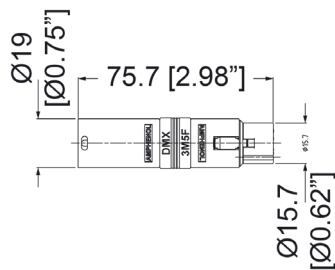
AC3M3MW
Amphenol



XLR 3 Pole Male to 3 Pole Male Adapter
- Pre-wired for Convenience
- Metal Shell

Part No.	Finish	Description
COAC3M3MW	Nickel	XLR 3 Pole Male to 3 Pole Male Adapter

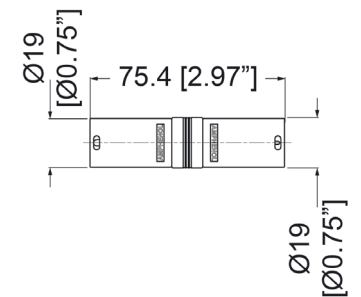
AC3M5FW
Amphenol



XLR 3 Pole Male to 5 Pole Female Adapter
- Pre-wired for Convenience
- Metal Shell

Part No.	Finish	Description
COAC3M5FW	Nickel	XLR 3 Pole Male to 5 Pole Female Adapter

AC5M5MW NEW!
Amphenol



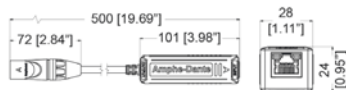
Amphenol XLR 5 Pole Male to 5 Pole Male Adapter
- Pre-wired for Convenience
- Metal Shell

Part No.	Finish	Description
COAC5M5MW	Nickel	XLR 5 Pole Male to 5 Pole Male Adapter

Amphe-Dante Adapters

RJD1112-0050 - Amphe-Dante Analogue Output: 1 channel NEW!

Amphenol

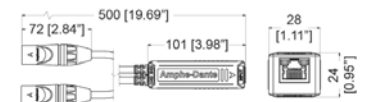


Amphenol Amphe-Dante **Analogue Output: 1 channel**
RJ45 input to XLR output
Amphe-Dante are Dante™ audio to analogue audio adapters, available for Input, Output, AES3 and USB applications. Featuring premium quality Amphenol AX series XLR and RJ45 connectors in a robust molded housing. Amphe-Dante products enable simple connection of analogue equipment to a Dante network and can receive and transmit audio channels from a Dante network and provide studio-quality, low-latency audio via XLR connectors to and from analogue audio equipment.

Part No.	Description	Weight
RJD1112-0050	Amphe-Dante Analogue Output: 1 channel	0.14kg/0.31lb

RJD1212-0050 - Amphe-Dante Analogue Output: 2 channel NEW!

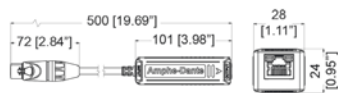
Amphenol



Amphenol Amphe-Dante **Analogue Output: 2 channel**
RJ45 input to XLR output
Amphe-Dante are Dante™ audio to analogue audio adapters, available for Input, Output, AES3 and USB applications. Featuring premium quality Amphenol AX series XLR and RJ45 connectors in a robust molded housing. Amphe-Dante products enable simple connection of analogue equipment to a Dante network and can receive and transmit audio channels from a Dante network and provide studio-quality, low-latency audio via XLR connectors to and from analogue audio equipment.

Part No.	Description	Weight
RJD1212-0050	Amphe-Dante Analogue Output: 2 channel	0.19kg/0.42lb

Amphenol



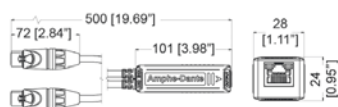
RJD2103-0050 - Amphe-Dante Analogue Input: 1 channel *NEW!*

Amphenol Amphe-Dante **Analogue Input:** 1 channel
RJ45 input to XLR output

Amphe-Dante are Dante™ audio to analogue audio adapters, available for Input, Output, AES3 and USB applications. Featuring premium quality Amphenol AX series XLR and RJ45 connectors in a robust molded housing. Amphe-Dante products enable simple connection of analogue equipment to a Dante network and can receive and transmit audio channels from a Dante network and provide studio-quality, low-latency audio via XLR connectors to and from analogue audio equipment.

Part No.	Description	Weight
RJD2103-0050	Amphe-Dante Analogue Input: 1 channel	0.14kg/0.3lb

Amphenol



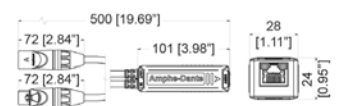
RJD2203-0050 - Amphe-Dante Analogue Input: 2 channel *NEW!*

Amphenol Amphe-Dante **Analogue Input:** 2 channel
RJ45 input to XLR output

Amphe-Dante are Dante™ audio to analogue audio adapters, available for Input, Output, AES3 and USB applications. Featuring premium quality Amphenol AX series XLR and RJ45 connectors in a robust molded housing. Amphe-Dante products enable simple connection of analogue equipment to a Dante network and can receive and transmit audio channels from a Dante network and provide studio-quality, low-latency audio via XLR connectors to and from analogue audio equipment.

Part No.	Description	Weight
RJD2203-0050	Amphe-Dante Analogue Input: 2 channel	0.19kg/0.42lb

Amphenol



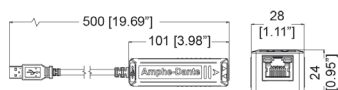
RJD32A3-0050 - Amphe-Dante AES3 Input / Output - 2 channel *NEW!*

Amphenol Amphe-Dante **AES3 Input / Output:** 2 channel
XLR I/O to RJ45 I/O

Amphe-Dante are Dante™ audio to analogue audio adapters, available for Input, Output, AES3 and USB applications. Featuring premium quality Amphenol AX series XLR and RJ45 connectors in a robust molded housing. Amphe-Dante products enable simple connection of analogue equipment to a Dante network and can receive and transmit audio channels from a Dante network and provide studio-quality, low-latency audio via XLR connectors to and from analogue audio equipment.

Part No.	Description	Weight
RJD32A3-0050	Amphe-Dante AES3 Input / Output - 2 channel	0.19kg/0.42lb

Amphenol



RJD32U1-0050 - Amphe-Dante USB Input / Output - 2 channel *NEW!*

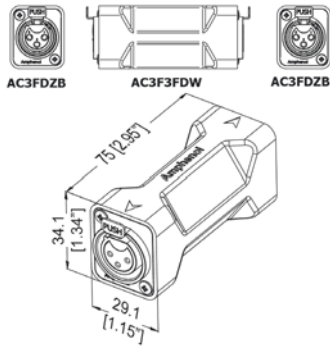
Amphenol Amphe-Dante **Analogue Input:** 2 channel
USB I/O to RJ45 I/O

Amphe-Dante are Dante™ audio to analogue audio adapters, available for Input, Output, AES3 and USB applications. Featuring premium quality Amphenol AX series XLR and RJ45 connectors in a robust molded housing. Amphe-Dante products enable simple connection of analogue equipment to a Dante network and can receive and transmit audio channels from a Dante network and provide studio-quality, low-latency audio via XLR connectors to and from analogue audio equipment.

Part No.	Description	Weight
RJD32U1-0050	Amphe-Dante USB Input / Output - 2 channel	0.11kg/0.24lb

AC3F3FDW NEW!

Amphenol

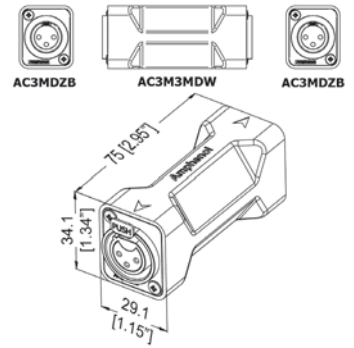


Amphenol D shell XLR in-line adapter
3 pole female to 3 pole female
Pre-wired

Part No.	Finish	Description
COAC3F3FDW	Black	3 pole female to 3 pole female

AC3M3MDW NEW!

Amphenol

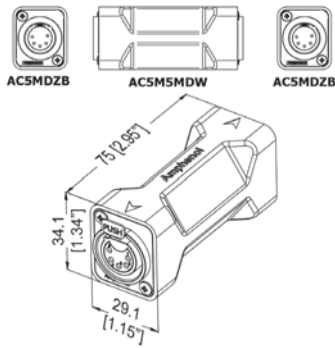


Amphenol D shell XLR in-line adapter
3 pole male to 3 pole male
Pre-wired

Part No.	Finish	Description
COAC3M3MDW	Black	3 pole male to 3 pole male

AC5M5MDW NEW!

Amphenol

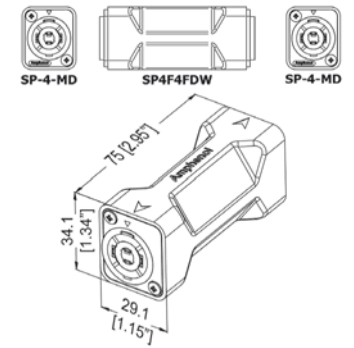


Amphenol D shell XLR in-line adapter
5 pole male to 5 pole male
Pre-wired

Part No.	Finish	Description
COAC5M5MDW	Black	5 pole male to 5 pole male

SP4F4FDW NEW!

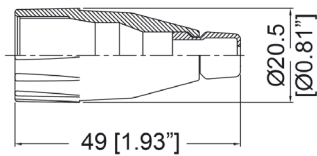
Amphenol



Amphenol D shell SP in-line adapter
4 pole female to 4 pole female
Pre-wired

Part No.	Description
COSP4F4FDW	4 pole female to 4 pole female

Accessories



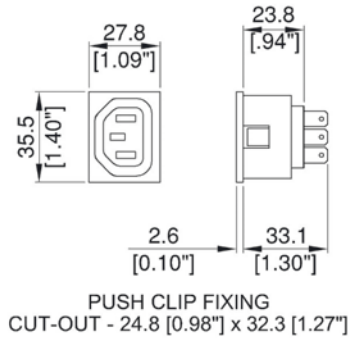
AC-NUT

Colour coded backshells and to assist in cable identification.

Material: Thermoplastic

Part No.	Finish	Description
COACNUTBLU	Blue	Colour coded backshell
COACNUTGRY	Grey	Colour coded backshell
COACNUTGRN	Green	Colour coded backshell
COACNUTYEL	Yellow	Colour coded backshell
COACNUTRED	Red	Colour coded backshell
COACNUTWHT	White	Colour coded backshell
COACNUTVIO	Purple	Colour coded backshell
COACNUTBRN	Brown	Colour coded backshell
COACNUTORG	Orange	Colour coded backshell

M1740



IEC Mains Outlet. 240V - 10A
Fits MSB Panel - 40719-20

Part No.	Weight
M1740	60g/2.12oz

ACJM-MH



Mono 1/4" Phono Jacks.
Horizontal, with Metal Nut.

Part No.	Description	Weight
ACJM-MHD	Dual, PCB mount	10g/0.35oz
ACJM-MHS	Solder Tabs, switched	10g/0.35oz
ACJM-MHSN	Solder Tabs	10g/0.35oz

M1750 - M1760



6mm / 1/4" Jack Sockets

Part No.	Description	Weight
M1750	Mono Jack Socket	1g/0.035oz
M1755	Mono Switched Jack Socket	1g/0.035oz
M1756	Stereo Jack Socket, 4 pole	8g/0.28oz
M1760	Stereo Jack Socket	1g/0.035oz

M1745



IEC Mains Plug, 240v, 10A Male

Part No.	Weight
M1745	60g/2.12oz

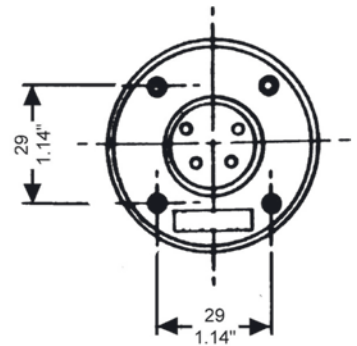
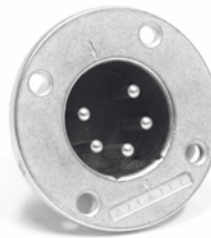
ACJS-MH



Stereo 1/4" Phono Jacks.
PCB Mount. Horizontal, with Metal Nut.

Part No.	Description
ACJS-MHS	Solder Tabs
ACJS-MHR	Stereo
ACJS-MHD	Dual Stacked

EP-5-14



Male Receptacle Nickel, 5 Contact

Part No.	Description
EP-5-14	Male

CABLES



CAIC110B

Penn Elcom Instrument Cable 6.5mm / 1/4" Mono Noiseless Penn Elcom Guitar/Instrument Cable is a Single Core, Spiral Copper, and Conductive Carbon Compound Screen to avoid noise and eliminate any cross talk. The 6.5mm / 1/4" Flexible Cable has a 0.23mm² center core for a great pick up. The outer jacket is very flexible to prevent twisting and damage to inner wires for use over and over again. Free sample pack can be sent on request.

Specifications

Applications: Instruments and Mono Patch Cables, Mini Jack and 6.3mm/1/4" Jack
 Diameter: 6.25mm +/- 0.25mm
 Insulation: Special Polyethylene
 Insulation Resistance: Minimum 20 MOhm x Km at 20°C
 Temperature Range: -20 to 70°C
 Operating Voltage: Maximum 50-75 Volts AC/DC
 Capacitance: C/S approx 90pF/m @1kHz
 Conductor: Stranded copper
 Conductor Resistance: Maximum 88 Ohm / km @ 20degrees Centigrade
 Jacket: Soft PVC
 Shielding (1): Semi conductive compound (black)
 Shielding (2): Spiral Screen minimum coverage 90% with 0.10mm / 0" wires
 Wire: 7 x 0.203mm / 0.01" = 0.23 mm / 0.01" AWG24

Part No.	Description
CAIC110B	Instrument Cable



CAIA10BK - Instrument Cable

Studio Series Raw Instrument Cable

Our four-grade screened and sheathed instrument cable. With conductive insulation for low noise and excellent pickup, this is an ideal choice for professional applications such as event, stage and studio cabling. Number of Conductors: 1
 Colour of Conductors: Natural
 Size of Conductors: 20 AWG / 20/0.18mm Stranding
 Conductor Insulation Material: PVC
 Jacket: 6.8mm +/- 0.15mm Black PVC
 Shield: Spiral
 Operating Temperature -30°C to +70°C

Part No.	Finish	Description	Length
CAIA10BK	Black	Instrument Cable	1m / 39"



CAMAXXX

Studio Series Raw Microphone Cable

Our four-grade range of screened and sheathed low noise balanced microphone cables. With a selection of colours for excellent categorisation, these are the ideal choice for professional use in event, stage and studio cabling.

- Number of Conductors: 2
- Colour of Conductors: Blue and White
- Size of Conductors: 22 AWG / 80/0.08mm Stranding
- Conductor Insulation Material: PVC
- Jacket: 6.8mm +/- 0.15mm Black PVC
- Shield: Foil and Spiral
- Operating Temperature -30°C to +70°C

Part No.	Finish	Description	Length
CAMA10BK	Black	Stereo Cable for Microphone	100m / 3937"
CAMA30BK	Black	Stereo Cable for Microphone	305m / 12008"
CAMA10R	Red	Stereo Cable for Microphone	100m / 3937"
CAMA10B	Blue	Stereo Cable for Microphone	100m / 3937"
CAMA10P	Purple	Stereo Cable for Microphone	100m / 3937"



CAMC65BK

Penn Elcom Tour Grade Mic Cable 6.5mm / 1/4" 2 Core Arctic Grade Flexible

Due to its high performance and excellent sound quality, this product is used in studios all over the world. Not only does the ATM Mic have an outstanding audio performance, but it also is constructed in a way that prevents twisting and damage to inner wires so they can be used repeatedly on tour.

Free sample packs available upon request.

Features

- Extremely robust anti-kink construction
- Noise-free design allows for silent performance
- High quality oxygen-free copper (OFC)
- Excellent electrical performance

Specifications

- Outer Diameter: 6.4mm / 1/4"
- Impedance: 72 Ohms
- Insulation: Processed PE
- Jacket: Soft PVC alloy
- Lay Up: Twist with fillers
- Capacitance (core to core): 50pF/m at 1kHz
- Capacitance (core to screen): 110pF/m at 1kHz
- Conductors: 28/0.1 (0.22mm/sq) OFC
- 24AWG OFC Single Pair and Screen
- Max Conductor Resistance: 86 Ohm/km
- Reel Sizes: 10m / 394" and 50m / 1968"
- Screen: 0.10mm OFC lapped copper
- Weight: 0.045kg per metre / 0.03Lb per foot
- Material: Plastic

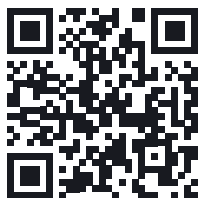
Part No.	Finish	Description	Weight
CAMC65BK	Black	Mic Cable	0.45kg/0.99lb

Speaker Cables

Cables



Scan to Watch



Our Video

Or Visit:

youtu.be/JK4oM3ljZ4g

CASZ152

Penn Elcom Tour-Grade Loudspeaker Cables - 2 x 1.5mm / 1/16"

The Penn Elcom Speaker Cable Range has a strong but flexible jacket used for touring and installation purposes.

It uses stranded oxygen-free copper (OFC) and is built for optimum handling and electrical performance.

Specifications

- Conductor: Stranded Copper Wire 30x 0.25mm / 0.01" = 1.50mm / 1/16"
- Conductor Resistance: 13.3 Ohm/km
- Diameter: 6.2mm / 1/4" +/- 0.20mm / 0.01"
- Insulation: PVC
- Insulation Resistance: 20 Mohm x km
- Operating Voltage: Maximum 50-75 V AC/DC
- Temperature Range: -10 to 70°C
- Type: 2-Core 1.5mm / 1/16" Speaker Cable

Part No.	Description
CASZ152	Speaker Cable 2 x 1.5mm / 1/16"



CASZ252

Penn Elcom Tour-Grade Loudspeaker Cables - 2 x 2.5mm / 3/32"

The Penn Elcom Speaker Cable Range has a strong but flexible jacket used for touring and installation purposes.

It uses stranded oxygen-free copper (OFC) and is built for optimum handling and electrical performance.

Specifications

Conductor: Stranded Copper wire 50x 0.25mm / 0.01" = 2.50mm / 3/32"

Conductor Resistance: 7.98 Ohm/km

Diameter: 8.2mm / 5/16" +/-0.20mm

Insulation: PVC

Insulation Resistance: 20 Mohm x km

Operating Voltage: Maximum 50-75 V AC/DC

Temperature Range: -10 to 70°C

Type: 2-Core 2.5mm / 3/32" Speaker Cable

Part No.	Description
CASZ252	Speaker Cable 2 x 2.5mm / 3/32"



CASZ254

Penn Elcom Tour-Grade Loudspeaker Cables - 4 x 2.5mm / 3/32"

The Penn Elcom Speaker Cable Range has a strong but flexible jacket used for touring and installation purposes.

It uses stranded oxygen-free copper (OFC) and is built for optimum handling and electrical performance.

Specifications

Conductor: Stranded Copper wire 50x 0.25mm / 0.01" = 2.50mm / 3/32"

Conductor Resistance: 7.98 Ohm/km

Diameter: 10.20mm / 3/8" +/-0.30mm / 0.01"

Insulation: PVC

Insulation Resistance: 20 Mohm x km

Operating Voltage: Maximum 50-75 V AC/DC

Temperature Range: -10 to 70°C

Type: 4-Core 2.5mm / 3/32" Speaker Cable

Part No.	Description
CASZ254	Speaker Cable 4 x 2.5mm / 3/32"



CASZ258

Penn Elcom Tour-Grade Loudspeaker Cables - 8 x 2.5mm / 3/32"

The Penn Elcom Speaker Cable Range has a strong but flexible jacket used for touring and installation purposes.

It uses stranded oxygen-free copper (OFC) and is built for optimum handling and electrical performance.

Specification:

Conductor: Stranded Copper wire 50 x 0.25mm / 0.01" = 2.50mm / 3/32"

Conductor Resistance: 7.98 Ohm/km

Diameter: 15.8mm / 5/8" +/- 0.30mm / 0.01"

Insulation: PVC

Insulation Resistance: 20 Mohm x km

Operating Voltage: Maximum 50-75 V AC/DC

Temperature Range: -10 to 70°C

Type: 8-Core 2.5mm / 3/32" Speaker Cable

Part No.	Description
CASZ258	Speaker Cable 4 x 2.5mm / 3/32"



CASC - LSOH Speaker Cable

LSOH Penn Elcom Speaker Cable Install

Applications:

Dedicated installation speaker cable

Can also be used as 2-core power cable

Technical Data:

Low smoke zerohalogen jacket

High flex, abrasion-resistant jacket

Rated to 500Vac

Colour coded or numbered cores

Good quality conductors

Part No.	Outer Diameter	Core Size	Strands	Conductor Resistance
CASC152	6mm / 1/4"	2 x 1.5mm / 1/16"	30 x 0.25	1.12 ohms/100m
CASC252	7.5mm / 5/16"	2 x 2.5mm / 3/32"	36 x 0.25	0.68 ohms/100m



CAMCA

Studio Series Multicore Cable Black for DMX & Analogue

Our four-grade range of flexible sheathed multicore cables, individually jacketed and screened for noiseless digital and analogue transmission. With a wide selection of cores, this range is the ideal choice for professional audio applications such as event, install and studio cabling. Available in 6, 8, 12, 20, 24, 28, 36, 42, 48 and 56 pair.

Specifications

Impedance: 90.5 Ohms/km
 Insulation Resistance: 3000 MOhms x km
 Capacitance: 55.50 nF/km
 Conductor: Stranded copper wire AWG 24
 Drain Wire: Stranded copper tin plated AWG 24
 Pair Shield: Alu/PVC foil metal inside
 Jacket: Soft PVC

Part No.	Finish	Description
CAMCA6	Black	Multicore 6 pair
CAMCA8	Black	Multicore 8 pair
CAMCA12	Black	Multicore 12 pair
CAMCA20	Black	Multicore 20 pair
CAMCA24	Black	Multicore 24 pair
CAMCA28	Black	Multicore 28 pair
CAMCA36	Black	Multicore 36 pair
CAMCA42	Black	Multicore 42 pair
CAMCA48	Black	Multicore 48 pair
CAMCA56	Black	Multicore 56 pair



CAUNC - Mic Multicore Cable

Mic Multicore Cable AES-EBU Black for DMX & Analogue

Comus unified oxygen-free copper (OFC) multi-pair cable. Numbered single pair and screen with "Quick Strip" allows both the jacket and foil screen to be stripped simultaneously, saving the wireman time in-house or onsite.

This cable is a perfect choice for touring and installing applications. It offers superb performance and reliability for both analog and digital signals.

Free sample packs available upon request.

Specifications

Impedance: Approx. 105 Ohm at 1Mhz
 Insulation: Foam-Skin PE (02YS)
 Insulation Resistance: Minimum 100MOhm x km at 20°C
 Temperature Range: -20 to 70° C
 Operating Voltage: Maximum 50-75 Volts AC/DC
 Capacitance: C/C approx 40pF/m @1kHz
 Conductor: Stranded copper wire 18x0.10mm=0.14mm AWG 26 bare
 Conductor Resistance: max 138Ohm/km at 20 degrees centigrade
 Drain Wire: Stranded copper tin plated 7 x 0.16mm= 0.14mm² AWG 26
 Colour: Black
 Jacket: Soft PVC
 Pair Shield: Alu/PVC foil metal inside
 Twisting: 2 cores to a pair
 Material: Plastic

Part No.	Finish	Description
CAUNC02	Black	Multicore 2 pair
CAUNC04	Black	Multicore 4 pair
CAUNC06	Black	Multicore 6 pair
CAUNC08	Black	Multicore 8 pair
CAUNC12	Black	Multicore 12 pair
CAUNC16	Black	Multicore 16 pair
CAUNC24	Black	Multicore 24 pair
CAUNC32	Black	Multicore 32 pair



H07 Mains Cable

Heavy Duty Rubber Sheathed Mains Cable.

3 diameters available 1.5mm / 1/16", 2.5mm / 3/32", 4mm / 3/16"

Specifications:

Colour: Black

Nominal Voltage: 450-750V

Temperature Range: -25 to 60°C

Test Voltage: 2500 V AC

Part No.	Finish	Diameter
CA3BK15HO7	Black	1.5mm / 1/16"
CA3BK25HO7	Black	2.5mm / 3/32"
CA3BK4HO7	Black	4mm / 3/16"

Patch Cable



CACP - Penn Elcom Patch Cable

Kevlar-Lined Penn Elcom Patch Cable has all the benefits of microphone cable in a 4mm / 3/16" diameter jacket and fits snugly into bantam plugs. It is ideal for rack wiring, installations, rigging, midi, discrete mic leads and other general purpose uses.

Part No.	Finish	Description
CACPB	Black	4mm / 3/16" Patch Cable
CACPGY	Grey	4mm / 3/16" Patch Cable

Digital DMX



CADMXP - Combo DMX Cable

Black Combo DMX Cable (2 Cond + Drain + Aluminium/Foil Screen) + Main Power, 3 x 1.5mm

The Syntax Power + DMX has a main power line with a wire diameter of 3 x 1.5mm, and one DMX 512 twisted pair cable.

The digital signal pair is shielded with an aluminium/polyester foil screen and covered with a black PVC jacket. The power line is equipped with its own PVC jacket for added safety in compliance with the I.E.C. regulation.

Suitable for parallel controls for light mixing boards via power line and DMX signal via digital cable. Also used for analogic audio devices when power supplied.

The external black PVC jacket flame-retardant is very flexible, trampling-proof, impact absorbing and water-proof.

Specifications:

Overall Diameter: 14.5mm / 9/16"

Nominal Impedance: 1-4 Mhz 110 Ohm

Operating Temperature: -30 to 70°C.

Screen: Aluminium/Polyester Foil 100% Coverage

Capacitance cond./cond.: 1Khz 40 nF/km

Capacitance cond./shield: 1Khz 80 nF/km

Conductors: 3 x bare OFC 15 AWG 82 x 0,15 mm - 1.5mm

Conductors jacket: Brown, Blue, Yellow-Green PVC 2.5mm twisted

D.C.R. conductors: <90 ohm/km

D.C.R. shield: <70 ohm/km

Drain wire: tinned OFC 24 AWG 7 x 0.20mm

External jacket: Black PVC 7.5mm flame-retardant

Part No.	Description
CADMXP	Black Combo DMX Cable

166 - Digital DMX



CADMXB

Black Digital AES/EBU - DMX (2 Cond + Drain + Double Screen Aluminium/Polyester)

A single pair Digital AES/EBU-DMX Cable 110 Ohm, in accordance with the standard AES/EBU specification that the product is manufactured with reliable and consistent impedance, while using a special polymer sheath to achieve low capacitance.

To ensure a high level of protection from EMI/RFI noise, the shield is made with two different screens: the first is made of high density spiral tinned copper and the second of aluminium/polyester foil. Blue PVC flame-retardant external jacket, trampling-proof, impact absorbing and long flex life.

Part No.	Description
CADMXB	Black Digital AES/EBU - DMX



CADMXA10BK

Studio Series Raw DMX Cable

Our four-grade range of flexible 110 Ohm AES/EBU cable, screened and sheathed for noiseless DMX transmission. The ideal choice for professional audio applications such as event, studio and server cabling.

Number of Conductors: 4

Colour of Conductors: Blue/Red Orange/White

Size of Conductors: 24 AWG / 7/0.2mm Stranding

Conductor Insulation Material: FM-PE

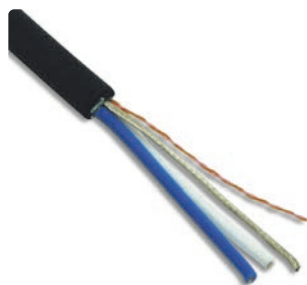
Jacket: 6.9mm +/- 0.3mm Black PVC

Shield: Foil and Braided

Operating Temperature -30°C to +70°C

Part No.	Finish	Description
CADMXA10BK	Black	DMX Cable

Installation and Digital



CADIGIC01

Penn Elcom Single Pair 3.2mm / 1/8" AES-EBU Black for Digital(DMX)/Analogue

Single pair analogue and digital cable.

Conductors: 19 x 0.127mm / 0.05" Copper Wire, Tin-Plated

Insulation: PE Semi Foam

Twisting: 2 Cores to a Pair

Temperature Rating: -10 to +70 Degrees

Ideal for Install Use.

Part No.	Description
CADIGIC01	Single Pair 3.2mm / 1/8" AES-EBU for Digital(DMX)/Analogue

Cat 5 Cables



CASCAT5E

Syntax Tour Grade Data Cat 5e S-FTP Black 4x2x0.22mm

Double Screened:

1/ Aluminium-maylar overlapping foil

2/ Tinned Copper Braided Coverage>80%

Technical Details:

Diameter: 6.4mm / 1/4"

Resistance of Conductors <90 Ohm/KM

Insulation Resistance > 10.000 Ohm x KM

Capacity Between Conductors 63 pF/m

Impedance from 1 to 100 MHz 100 Ohm

Temperature Range -10°C / +80°C

Part No.	Finish	Description
CASCAT5E	Black	Syntax Tour Grade Data Cat 5e S-FTP

AUDIO LEADS



LEIY

Y Lead Cable - 3.5 Stereo Jack to 2 x 1/4" Mono Jacks

Connectors: 3.5mm Stereo Jack to 2 x 1/4" Mono Jacks

Cable: Y Cable

Colour: Black

Length: From 1m / 39" to 8m / 315"

The GIG Series leads are an affordable option for serious musicians and professionals working within a budget.

The GIG Series leads are all hand-built using quality components to ensure long lasting performance and affordability.

Part No.	Finish	Description	Length
LEIY1	Black	Y Lead Cable - 3.5 Stereo Jack to 2 x 1/4" Mono Jacks	1m / 39"
LEIY3	Black	Y Lead Cable - 3.5 Stereo Jack to 2 x 1/4" Mono Jacks	3m / 118"
LEIY8	Black	Y Lead Cable - 3.5 Stereo Jack to 2 x 1/4" Mono Jacks	8m / 315"



LEISTA

Amphenol Mono 1/4" Phone Plug to Mono 1/4" Phone Plug

Connectors: Amphenol 1/4" (6.35mm) Mono Phone Plug Connector with brass contacts

Connectors Colour: Nickel

Cable Colour: Black

Cable Type: B

Shield: Spiral

Gauge: 20

Special Order Outside of South America

Part No.	Finish	Description	Length
LEISTA1	Black/Nickel	Mono 1/4" Plug to Mono 1/4" Plug	1m / 39"
LEISTA3	Black/Nickel	Mono 1/4" Plug to Mono 1/4" Plug	3m / 118"
LEISTA6	Black/Nickel	Mono 1/4" Plug to Mono 1/4" Plug	6m / 236"
LEISTA9	Black/Nickel	Mono 1/4" Plug to Mono 1/4" Plug	9m / 354"
LEISTA15	Black/Nickel	Mono 1/4" Plug to Mono 1/4" Plug	15m / 591"



LESSR22 - Speaker Lead 2 Core 1.5mm GIG Series

Speaker Lead 2-Core 1.5mm GIG Series NL2FC
 Loudspeaker lead fitted with genuine Neutrik NL2FC SpeakON connectors and 2-core 1.5mm speaker cable.
 Lengths Available 3m / 118", 5m / 197", 10m / 394" and 20m / 787"
 The GIG Series leads are an affordable option for serious musicians and professionals working within a budget.
 The GIG Series leads are all hand-built using quality components to ensure long lasting performance and affordability.

Part No.	Description	Length
LESSR223	Speaker Lead	3m / 118"
LESSR225	Speaker Lead	5m / 197"
LESSR2210	Speaker Lead	10m / 394"
LESSR2220	Speaker Lead	20m / 787"



LESR44 - Speaker Lead 4 Pole 2.5mm GIG Series

Speaker Lead 4-Pole 2.5mm GIG Series NL4FX
 Neutrik NL4FX to NL4FX 4-Pole Loudspeaker Lead fitted with genuine Neutrik NL4FX SpeakON connectors and 2-core 2.5mm speaker cable.
 Lengths Available: 3m / 118", 5m / 197", 10m / 394" and 20m / 787"
 The GIG Series leads are an affordable option for serious musicians and professionals working within a budget.
 The GIG Series leads are all hand-built using quality components to ensure long lasting performance and affordability.

Part No.	Description	Length
LESR443	Speaker Lead	3m / 118"
LESR445	Speaker Lead	5m / 197"
LESR4410	Speaker Lead	10m / 394"
LESR4420	Speaker Lead	20m / 787"



LESA4P

4 Pole to 4 Pole Speaker Lead
 Connectors: **SP-4-F** (p.147) to **SP-4-F** (p.147)
 Connectors Colour: Black/Blue
 Cable Colour: Black
 Cable Type: T

Special Order Outside of South America

Part No.	Finish	Description	Length
LESA4P3	Black/Blue	4 Pole to 4 Pole Speaker Lead	3m / 118"
LESA4P6	Black/Blue	4 Pole to 4 Pole Speaker Lead	6m / 236"
LESA4P10	Black/Blue	4 Pole to 4 Pole Speaker Lead	10m / 394"

Audio Leads

CABLE MGMT PANELS

p. 84

RACK DOORS

p. 86

RACK HANDLES

p. 87

RACK COOLING SYSTEMS

p. 88



LEMXXXX Series

Mic Lead Balanced NC3FX - NC3MX

Connectors: NC3MX to NC3FX soldered

Cable: Balanced microphone

Colour: Black

Length: From 1m / 39" to 15m / 591"

All microphone leads are fitted with genuine REAN connectors (REAN is a brand of Neutrik AG).

The GIG Series leads are an affordable option for serious musicians and professionals working within a budget.

The GIG Series leads are all hand-built using quality components to ensure long lasting performance and affordability.

Part No.	Finish	Description	Length	Weight
LEMXXX1	Black	Mic Lead Balanced NC3FX - NC3MX	1m / 39"	0.1kg/0.22lb
LEMXXX3	Black	Mic Lead Balanced NC3FX - NC3MX	3m / 118"	0.2kg/0.44lb
LEMXXX15	Black	Mic Lead Balanced NC3FX - NC3MX	15m / 591"	0.73kg/1.61lb
LEMXXX8			8m / 315"	0.42kg/0.93lb



LEMSTA

Amphenol Male to Female XLR Stereo Lead

Connectors: **AC3F** (p.139) to **AC3MM** (p.141)

Connectors Colour: Black/Nickel

Cable: Balanced microphone

Cable Colour: Black

Cable Type: A

Shield: Foil & Braided

Gauge: 22

Special Order Outside of South America

Part No.	Finish	Description	Length
LEMSTA1M	Black/Nickel	Male to Female Stereo XLR	1m / 39"
LEMSTA3M	Black/Nickel	Male to Female Stereo XLR	3m / 118"
LEMSTA6M	Black/Nickel	Male to Female Stereo XLR	6m / 236"
LEMSTA9M	Black/Nickel	Male to Female Stereo XLR	9m / 354"
LEMSTA15M	Black/Nickel	Male to Female Stereo XLR	15m / 591"

LEMSTAFP



Amphenol Female XLR to 1/4" Phone Plug Stereo Lead

Connectors: **AC3F** (p.139) to **TS3P** (p.151)

Connectors Colour: Black/Nickel

Cable: Balanced microphone

Cable Colour: Black

Cable Type: A

Shield: Foil & Braided

Gauge: 22

Special Order Outside of South America

Part No.	Finish	Description	Length
LEMSTAFP1	Black/Nickel	Female XLR to 1/4" Phone Plug	1m / 39"
LEMSTAFP6	Black/Nickel	Female XLR to 1/4" Phone Plug	6m / 236"

LEMSTAMP



Amphenol Male XLR to 1/4" Plug Stereo Lead

Connectors: **AC3MM** (p.141) to **TS3P** (p.151)

Connectors Colour: Black/Nickel

Cable: Balanced microphone

Cable Colour: Black

Cable Type: A

Shield: Foil & Braided

Gauge: 22

Special Order Outside of South America

Part No.	Finish	Description	Length
LEMSTAMP1	Black/Nickel	Male XLR to 1/4" Plug Stereo Lead	1m / 39"
LEMSTAMP6	Black/Nickel	Male XLR to 1/4" Plug Stereo Lead	6m / 236"

170 - Phono & RCA Leads



LEIYRCA

Y Lead Cable 3.5mm Stereo Jack to 2 x RCA
 Connectors: 3.5mm Stereo Jack to 2 x RCA Phono Jacks
 Cable: Y Cable
 Colour: Black
 Length: From 1m / 39" to 8m / 315"

The GIG Series leads are an affordable option for serious musicians and professionals working within a budget.
 The GIG Series leads are all hand-built using quality components to ensure long lasting performance and affordability.

Part No.	Finish	Description	Length
LEIYRCA1	Black	Y Lead Cable 3.5mm Stereo Jack to 2 x RCA	1m / 39"
LEIYRCA3	Black	Y Lead Cable 3.5mm Stereo Jack to 2 x RCA	3m / 118"
LEIYRCA8	Black	Y Lead Cable 3.5mm Stereo Jack to 2 x RCA	8m / 315"

LERDRX - Rean Dual Signal RCA Phono - XLR



Rean Dual Signal RCA Phono XLR Signal Lead
 Length: From 1m / 39" to 8m / 315"

All leads are fitted with genuine REAN connectors (REAN is a brand of Neutrik AG).

The GIG Series leads are an affordable option for serious musicians and professionals working within a budget.
 The GIG Series leads are all hand-built using quality components to ensure long lasting performance and affordability.

Part No.	Description	Length
LERDRX3	Dual Signal RCA Phono - XLR	3m / 118"
LERDRX8	Dual Signal RCA Phono - XLR	8m / 315"

LERDRR - Rean Dual Signal RCA Phono



Rean Dual Signal RCA Phono Red/White Signal Lead
 Length: From 1m / 39" to 8m / 315"

All leads are fitted with genuine REAN connectors (REAN is a brand of Neutrik AG).

The GIG Series leads are an affordable option for serious musicians and professionals working within a budget.
 The GIG Series leads are all hand-built using quality components to ensure long lasting performance and affordability.

Part No.	Description	Length
LERDRR1	Dual Signal RCA Phono Lead	1m / 39"
LERDRR3	Dual Signal RCA Phono Lead	3m / 118"
LERDRR8	Dual Signal RCA Phono Lead	8m / 315"

DMX Leads



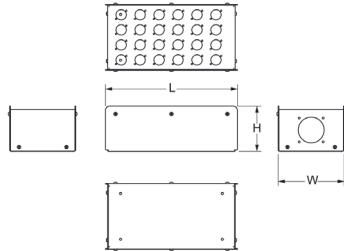
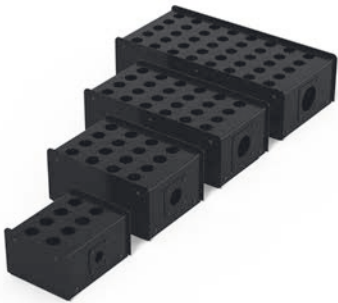
LEDMXA

5 Pole Male XLR to 5 Pole Female XLR DMX Lead
 Connectors: **AC5F** (p.142) to **AC5M** (p.142)
 Connectors Colour: Black/Nickel
 Cable Colour: Black
 Cable Type: D
 Shield: Braided
 Gauge: 24

Special Order Outside of South America

Part No.	Finish	Description	Length
LEDMXA1	Black/Nickel	5 Pole Male to Female XLR DMX	1m / 39"
LEDMXA3	Black/Nickel	5 Pole Male to Female XLR DMX	3m / 118"
LEDMXA5	Black/Nickel	5 Pole Male to Female XLR DMX	5m / 197"
LEDMXA10	Black/Nickel	5 Pole Male to Female XLR DMX	10m / 394"
LEDMXA15	Black/Nickel	5 Pole Male to Female XLR DMX	15m / 591"

STAGE BOXES



R2350 - Stage Box

Stage Box punched for Neutrik D-Series Connectors (XLR, Speakon, RJ45, etc.)

Can be fitted with a Multi-Pin Connector or a Cable Gland (with R2350-CG (p.102) Adaptor Plate).

Black Powder Coated.

Material: 1.5mm / 16 gauge Steel

Part No.	Description	Connector	Cable Gland	Length (L)	Height (H)	Width (W)	Weight
R2350-08	8 Hole	25 Pin	M20	130mm / 5.12"	90mm / 3.54"	153mm / 6.02"	1.08kg/2.37lb
R2350-12	12 Hole	37 Pin	M25	174mm / 6.85"	90mm / 3.54"	153mm / 6.02"	1.4kg/3.09lb
R2350-16	16 Hole	54 Pin	M32	218mm / 8.58"	105mm / 4.13"	153mm / 6.02"	1.74kg/3.84lb
R2350-20	20 Hole	85 Pin	M40	262mm / 10.31"	105mm / 4.13"	153mm / 6.02"	2kg/4.41lb
R2350-24	24 Hole	85 Pin	M40	306mm / 12.05"	105mm / 4.13"	153mm / 6.02"	1.97kg/4.35lb
R2350-28	28 Hole	85 Pin	M40	350mm / 13.78"	105mm / 4.13"	153mm / 6.02"	2.16kg/4.77lb
R2350-32	32 Hole	150 Pin	M40	394mm / 15.51"	105mm / 4.13"	153mm / 6.02"	2.5kg/5.51lb
R2350-36	36 Hole	150 Pin	M40	438mm / 17.24"	105mm / 4.13"	153mm / 6.02"	2.97kg/6.55lb
R2350-40	40 Hole	150 Pin	M40	394mm / 15.51"	105mm / 4.13"	188mm / 7.4"	3kg/6.61lb
R2350-48	48 Hole	150 Pin	M50	394mm / 15.51"	105mm / 4.13"	223mm / 8.78"	2.93kg/6.45lb

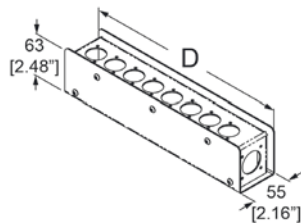
R2340 - Stage boxes

Stage boxes punched for Neutrik D-series connectors.

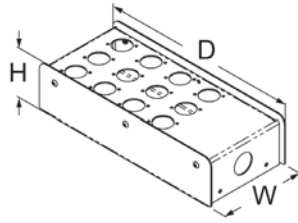
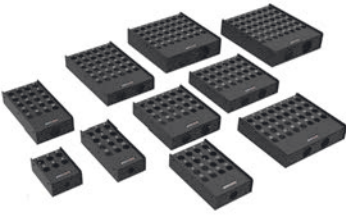
Can be fitted with a multi-pin connector or cable gland (with adaptor plate).

Black Powder coated.

Stage boxes are also available prefilled with your choice of connectors.



Part No.	Finish	Description	Depth	Width	Height	Connector/ Cable Gland
R2340-08	Black	8 Channel Stage Box	265mm / 10.43"	55mm / 2.17"	63mm / 2.48"	13 Pin
R2340-12	Black	12 Channel Stage Box	380mm / 14.96"	55mm / 2.17"	63mm / 2.48"	13 Pin

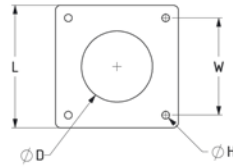


R2345 - Stage boxes

Stage boxes punched for Neutrik D-series connectors.
 Can be fitted with a multi-pin connector or cable gland (with adaptor plate).
 Black Powder coated.
 Stage boxes are also available prefilled with your choice of connectors.

Finish: Black

Part No.	Description	Depth (D)	Width (W)	Height (H)	Connector/ Cable Gland
R2345-06	6 Channel Stage Box	160mm / 6.3"	113mm / 4.45"	65mm / 2.56"	M20
R2345-12	12 Channel Stage Box	260mm / 10.24"	113mm / 4.45"	65mm / 2.56"	M25
R2345-16	16 Channel Stage Box	260mm / 10.24"	153mm / 6.02"	65mm / 2.56"	M32
R2345-20	20 Channel Stage Box	310mm / 12.2"	153mm / 6.02"	65mm / 2.56"	M40
R2345-24	24 Channel Stage Box	260mm / 10.24"	223mm / 8.78"	65mm / 2.56"	2 x 37 Pin
R2345-28	28 Channel Stage Box	260mm / 10.24"	258mm / 10.16"	65mm / 2.56"	2 x 37 Pin
R2345-32	32 Channel Stage Box	260mm / 10.24"	293mm / 11.54"	65mm / 2.56"	2 x 37 Pin
R2345-36	36 Channel Stage Box	355mm / 13.98"	223mm / 8.78"	65mm / 2.56"	2 x 37 Pin
R2345-40	40 Channel Stage Box	310mm / 12.2"	293mm / 11.54"	85mm / 3.35"	2 x 85/100/150 Pin
R2345-48	48 Channel Stage Box	355mm / 13.98"	293mm / 11.54"	85mm / 3.35"	2 x 85/100/150 Pin



R2350-CG - Adaptor Plate

Cable Gland Adaptor Plate for R2350 (p.101) Stage Boxes

Part Number	L	W	H	D
R2350-CG-01	45	34.9	3.7	20.5
R2350-CG-02	50	39.7	3.7	25.5
R2350-CG-03	60	44.5	4.3	32.5
R2350-CG-04	70	55.5	4.3	40.5
R2350-CG-05	70	55.5	4.3	50.5
R2350-CG-06	60	44.5	4.3	25.5

Material: 1.5mm / 16 gauge Steel Finish: Black

Part No.	For Cable Gland	Fits Connector Hole for
R2350-CG-01	M20	25 Pin
R2350-CG-02	M25	37 Pin
R2350-CG-06	M25	54 Pin
R2350-CG-03	M32	54 Pin
R2350-CG-04	M40	85/100/150 Pin
R2350-CG-05	M50	85/100/150 Pin

Wall Plates



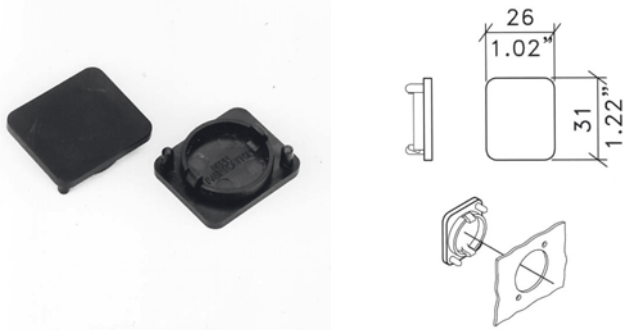
Cover Plates

Cover plate to blank off XLR-hole.

Material: 1.0mm / 20 gauge Steel

Part No.	Description	Weight
60801-20	Cover plate to blank off XLR-hole.	9g/0.32oz
60812-20	Cover plate to change XLR-hole to Telejack.	8g/0.28oz
60817-20	Cover plate to change XLR-hole to RCA/Phono.	9g/0.32oz
60820-20	Cover plate to change XLR-hole to DIN.	7g/0.25oz
60822-20	Cover plate to change XLR-hole to BNC.	9g/0.32oz

M1905 - D-Series Blanking Plug



Blanking Plug for XLR/Neutrik D-Series Connector cut-out.

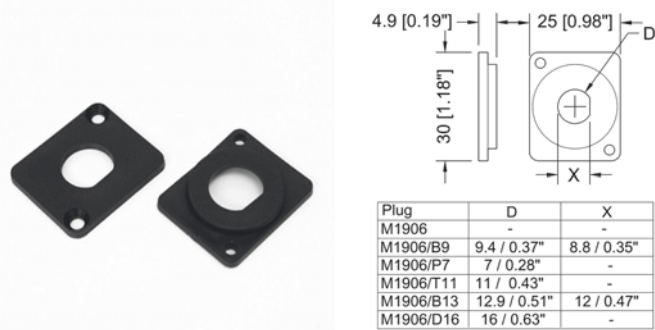
Part No.	Description	Weight
M1905	Blanking Plug	15g/0.53oz

SCNLT



Gasket for speakON G-size housings for an airtight connection between chassis and frontpanel (also suitable for Amphenol EP cutouts).

Part No.	Description
CONSCNLT	Gasket for speakON

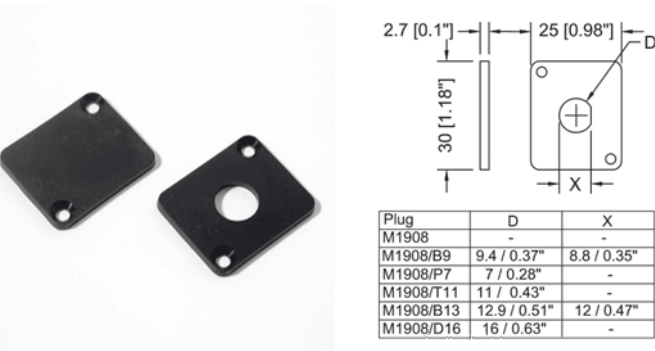


Plug	D	X
M1906	-	-
M1906/B9	9.4 / 0.37"	8.8 / 0.35"
M1906/P7	7 / 0.28"	-
M1906/T11	11 / 0.43"	-
M1906/B13	12.9 / 0.51"	12 / 0.47"
M1906/D16	16 / 0.63"	-

M1906 - D-Series Blanking Plug

Rear Mount Blanking and Converting Plugs for XLR/Neutrik D-Series Connector cut-out.

Part No.	Description	Weight
M1906	Plain	10g/0.35oz
M1906/B9	Punched for BNC	10g/0.35oz
M1906/P7	Punched for RCA	10g/0.35oz
M1906/T11	Punched for Telejack	10g/0.35oz
M1906/D16	Punched for DIN (16mm)	10g/0.35oz
M1906/B13	Punched for BNC	10g/0.35oz

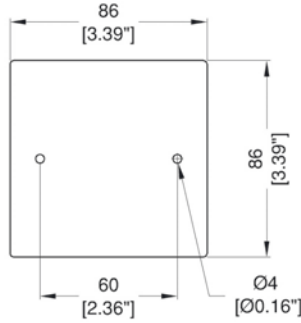


Plug	D	X
M1908	-	-
M1908/B9	9.4 / 0.37"	8.8 / 0.35"
M1908/P7	7 / 0.28"	-
M1908/T11	11 / 0.43"	-
M1908/B13	12.9 / 0.51"	12 / 0.47"
M1908/D16	16 / 0.63"	-

M1908 - D-Series Blanking Plug

Front Mount Blanking and Converting Plugs for XLR/Neutrik D-Series Connector cut-out.

Part No.	Description	Weight
M1908	Plain	10g/0.35oz
M1908/B9	Punched for BNC	10g/0.35oz
M1908/P7	Punched for RCA	10g/0.35oz
M1908/T11	Punched for Telejack	10g/0.35oz
M1908/D16	Punched for DIN (16mm)	10g/0.35oz
M1908/B13	Punched for BNC	10g/0.35oz

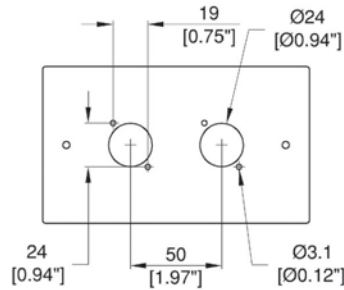


1 Gang Front Panel

BoxesFront Panel for 1 Gang Pattress Boxes
Available Plain or Punched for Neutrik D-Series Connectors (XLR, SpeakON, RJ45).
Includes M3 fixing screws.

Material: 1.5mm / 16 gauge Steel

Part No.	Finish	Corners	Connectors	Weight
81511-15	Black	Square Corners	Blank / Unpushed	80g/2.82oz
81511-15-S	Silver			
81511-20	Black	Square Corners	1 x Neutrik D-Series Connector	80g/2.82oz
81511-RC	Black	Rounded Corners	1 x Neutrik D-Series Connector	80g/2.82oz
81511-RCS	Silver			
81511-RCW	White			
82511-20	Black	Square Corners	2 x Neutrik D-Series Connectors	80g/2.82oz
82511-RC	Black	Rounded Corners	2 x Neutrik D-Series Connectors	80g/2.82oz
82511-RCS	Silver			
82511-RCW	White			



2 Gang Front Panel

Front Panel for 2 Gang Pattress Boxes
Punched for Neutrik D-Series Connectors (XLR, SpeakON, RJ45) or NeutrikA/B-Series Connectors (XLR, RJ45).
Includes M3 fixing screws.

Material: 1.5mm / 16 gauge Steel

Part No.	Finish	Corners	Connectors	Weight
83511-20	Black	Square Corners	2 x Neutrik D-Series Connectors	0.15kg/0.33lb
83511-RC	Black	Rounded Corners	2 x Neutrik D-Series Connectors	0.15kg/0.33lb
83511-RCS	Silver			
83511-RCW	White			
86511-RC	Black	Rounded Corners	3 x Neutrik D-Series Connectors	0.15kg/0.33lb
86511-RCS	Silver			
84511-20	Black	Square Corners	4 x Neutrik D-Series Connectors	0.15kg/0.33lb
84511-RC	Black	Rounded Corners	4 x Neutrik D-Series Connectors	0.15kg/0.33lb
84511-RCS	Silver			
84511-RCW	White			
84511-8RC	Black	Rounded Corners	8 x Neutrik D-Series Connectors	0.15kg/0.33lb
84511-8RCS	Silver	Rounded Corners	8 x Neutrik D-Series Connectors	0.15kg/0.33lb
84511-8RCW	White			
84511-9D-RC	Black	Rounded Corners	2 x Neutrik D-Series and 2 x D-Sub 9	0.15kg/0.33lb
84511-9D-RCS	Silver			
84511-15D-RC	Black	Rounded Corners	2 x Neutrik D-Series and 2 x D-Sub 15	0.15kg/0.33lb
84511-15D-RCS	Silver			

Blow Moulded Case



p. 378

19" Rack enclosures & Accessories



p. 378

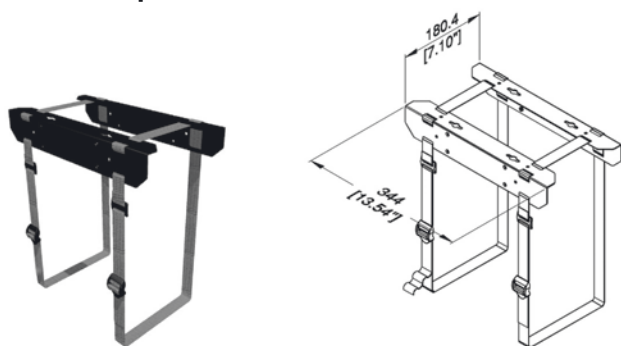
CPU HOLDERS & Laptop Drawers



HIGH QUALITY SPACE-SAVING SOLUTIONS



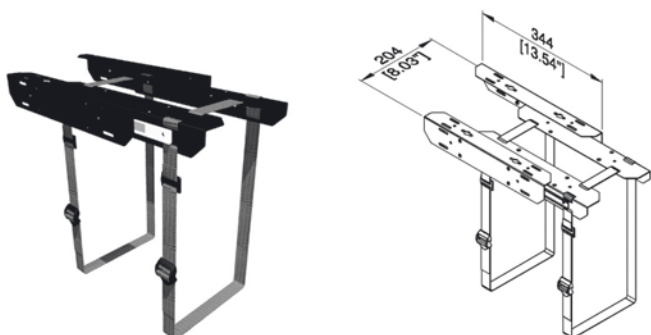
CPU-42 - Computer Holder



Fixed Computer Holder.
 For mounting desktop or tower computers to underside of any desk.
 Adjustable straps fit up to 1.8m / 71".
 Optional adjustable mounting brackets available.
 Material: Steel

Part No.	Finish
CPU-42BN	Black
CPU-42SN	Silver

CPU-57 - Computer Holder



Sliding Computer Holder.
 For mounting desktop or tower computers to underside of any desk.
 Sliding mechanism for easier access to computer.
 Adjustable straps fit up to 1.8m / 71".
 Optional adjustable mounting brackets available.
 Material: Steel

Part No.	Finish
CPU-57BN	Black
CPU-57SN	Silver

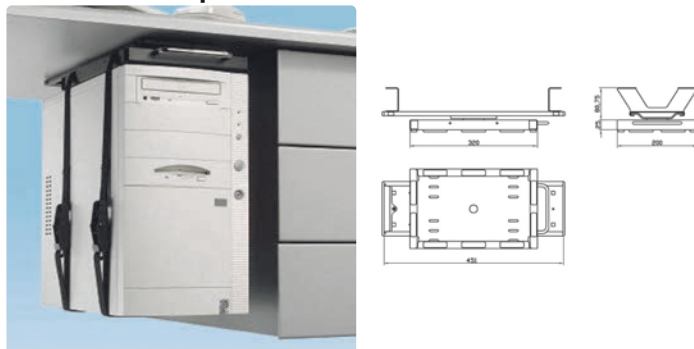
CPU-92 - Computer Holder



Universal Sliding/ Swiveling Computer Holder.
 For mounting desktop or tower computers to underside of any desk.
 Sliding/ Swiveling mechanism for easier access to computer.
 Adjustable straps fit up to 1.8m / 71".
 Optional adjustable mounting brackets available.
 Material: Steel

Part No.	Finish	Weight
CPU-92B	Black	3kg/6.61lb
CPU-92S	Silver	3kg/6.61lb

CPU-72 - Computer Holder



Universal Sliding/ Swiveling Computer Holder.
 For mounting desktop or tower computers to underside of any desk.
 Sliding/ Swiveling mechanism for easier access to computer.
 Adjustable straps fit up to 1.8m / 71".
 Optional adjustable mounting brackets available.
 Material: Steel

Part No.	Finish
CPU-72BN	Black
CPU-72SN	Silver

CPU-87 - Computer Holder



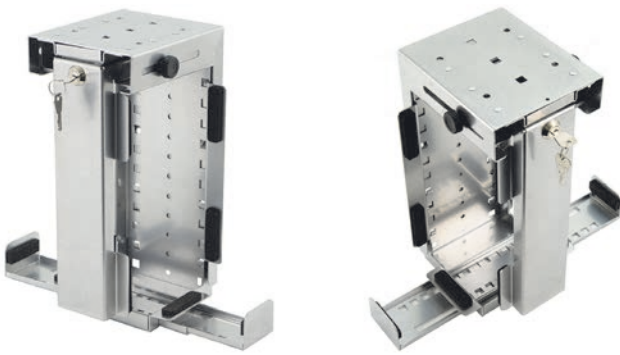
Rigid Computer Holder.
 For mounting tower computers to side or underside of any desk.
 For tower computers up to 230mm / 9.06" wide and 620mm / 24.41" high.
 Optional sliding/swiveling unit available.

Material: 1.5mm / 16 gauge Steel

Part No.	Finish	Weight
CPU-87B	Black	3kg/6.61lb
CPU-87S	Silver	

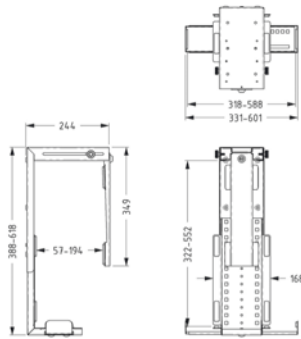
Part No.	Finish	Description	Weight
EX-1220B	Black	Swivel Bracket with Sliding Track for CPU-87	3kg/6.61lb
EX-1220S	Silver		

CPU-87LSLIM - Lockable Slim CPU Holder



Substantial fixed bracket with lock and key. Designed to mount slimline PC's underneath desks.
 The CPU-87LSLIM can lock PC's into position to prevent theft. Each CPU Holder comes with individual key to ensure multiple holders cannot be opened with one key.
 Suitable for SLIM Line PC's. Bolts tighten securely to hold CPU safely in place.
 All CPU Holders are provided with screws and attachments.
 CPU Holders 87LSLIM hold slim tower PC's with the following dimensions:
 Minimum Width: 50mm / 1.97"- Maximum Width: 110mm / 4.33"
 Minimum Depth: 240mm / 9.45"- Maximum Depth: 370mm / 14.57"
 Minimum Height: 240mm / 9.45"- Maximum Height: 400mm / 15.75"
 Maximum Load Capacity: 35kg/77.16lb
 Material: 1.5mm / 16 gauge Steel

Part No.	Finish
CPU-87B/L-SLIM	Black
CPU-87S/L-SLIM	Silver



CPU-87/L - Computer Holder

Lockable, Rigid Computer Holder.
 For mounting tower computers to side of underside of any desk.
 For tower computers up to 190mm / 7.48" wide and 550mm / 21.65" high.
 Optional sliding/swiveling unit available.

Material: 1.5mm / 16 gauge Steel

Part No.	Finish
CPU-87B/L	Black
CPU-87S/L	Silver

Part No.	Finish	Description
EX-1225S	Silver	Swivel Bracket with Sliding Track for CPU-87/L

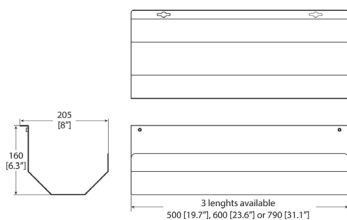
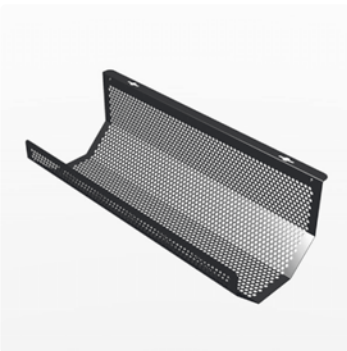
CPU-23

Computer Holder for use on all surfaces.
 Ideal for accessing rear of computer under desk.



Material: 1.5mm / 16 gauge Steel

Part No.	Finish
CPU-23B	Black
CPU-23S	Silver



CMS-02 - Cable Tray

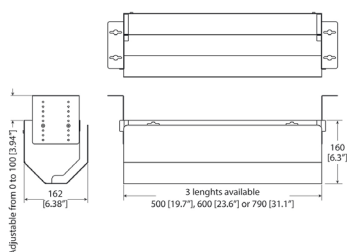
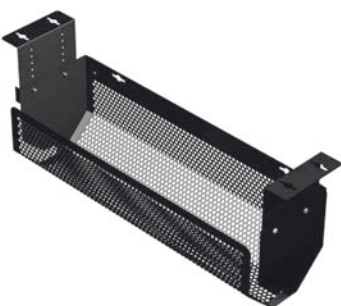
Fixed Cable Tray

Material: 1.2mm / 18 gauge Steel

Part No.	Finish	Length	Weight
CMS-02B	Black	500mm / 19.69"	1kg/2.2lb
CMS-02S	Silver	500mm / 19.69"	

Part No.	Finish	Length
CMS-02-790B	Black	790mm / 31.1"
CMS-02-790S	Silver	790mm / 31.1"

CMS-03 - Cable Tray



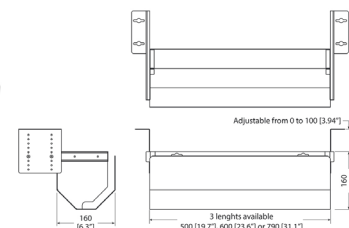
Cable Tray with Adjustable Mounting Brackets.

Material: 1.2mm / 18 gauge Steel

Part No.	Finish	Length	Weight
CMS-03B	Black	500mm / 19.69"	1kg/2.2lb
CMS-03S	Silver	500mm / 19.69"	1kg/2.2lb

Part No.	Finish	Length
CMS-03-790B	Black	790mm / 31.1"
CMS-03-790S	Silver	790mm / 31.1"

CMS-05 - Cable Tray



Sliding Cable Tray with Adjustable Mounting Brackets.

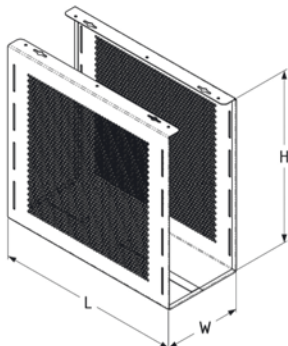
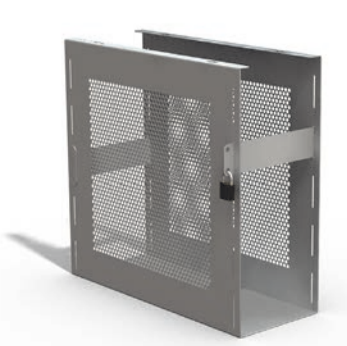
Material: 1.2mm / 18 gauge Steel

Part No.	Finish	Length	Weight
CMS-05B	Black	500mm / 19.69"	2.03kg/4.48lb
CMS-05S	Silver	500mm / 19.69"	2.03kg/4.48lb

Part No.	Finish	Length
CMS-05-790B	Black	790mm / 31.1"
CMS-05-790S	Silver	790mm / 31.1"

CPU-64 - CPU-66 - Security Computer Holders

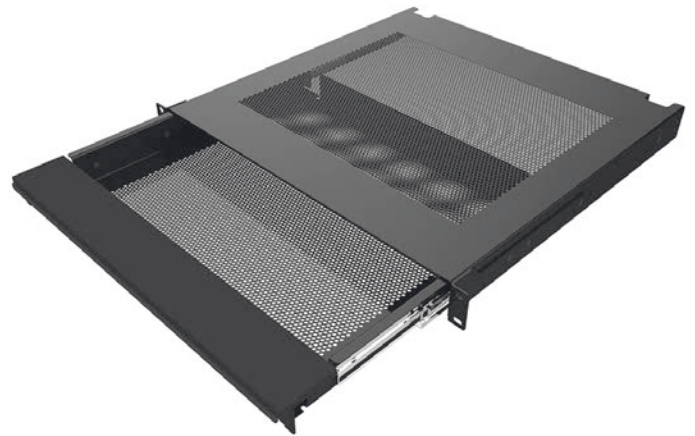
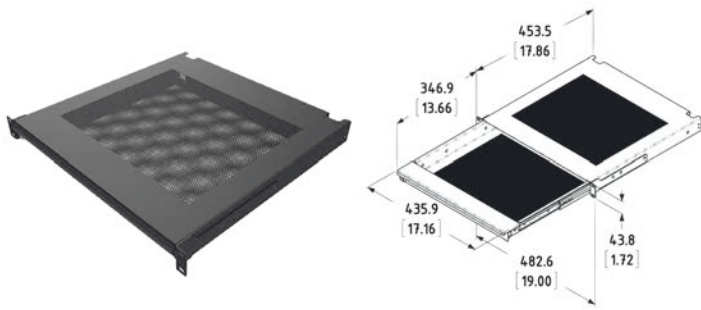
Computer Holder Security Cage with Adjustable, Padlock-able Locking Bars. (Padlock not included)



Material: 1.2mm / 18 gauge Steel

Part No.	Finish	Length (L)	Width (W)	Height (H)
CPU-64B	Black	350mm / 13.78"	100mm / 3.94"	325mm / 12.8"
CPU-64S	Silver	350mm / 13.78"	100mm / 3.94"	325mm / 12.8"
CPU-65B	Black	450mm / 17.72"	180mm / 7.09"	420mm / 16.54"
CPU-65S	Silver	450mm / 17.72"	180mm / 7.09"	420mm / 16.54"
CPU-66B	Black	540mm / 21.26"	210mm / 8.27"	520mm / 20.47"
CPU-66S	Silver	540mm / 21.26"	210mm / 8.27"	520mm / 20.47"

EX-6301 - 1U Laptop Drawer



19" Rack Mountable 1U Vented Laptop/Tablet Drawer with Foam Wrist-Pad for support and rear cable access.

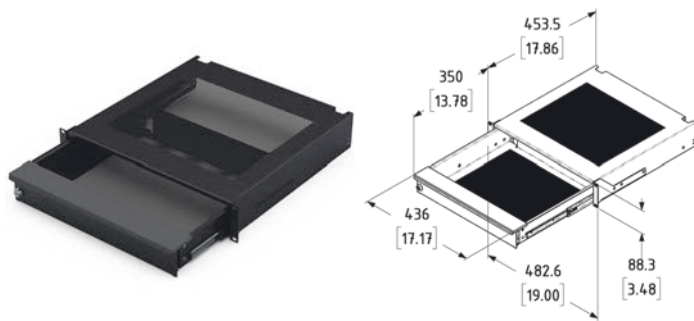
Key lockable.

Inside Dimensions:

Width x Depth x Height = 338mm x 409mm x 40mm / 13.31" x 16.1" x 1.57"

Material: 1.2mm / 18 gauge Steel

Part No.	Finish	Description	Height (U)	Weight
EX-6301B	Black	19" Rack Laptop Drawer	1U	4.76kg/10.5lb



EX-6302 - 2U Laptop Drawer *NEW!*

19" Rack Mountable 2U Vented Laptop/Tablet Drawer with Foam Wrist-Pad for support and rear cable access.

Key lockable.

Inside Dimensions:

Width x Depth x Height = 338mm x 409mm x 85mm / 13.31" x 16.1" x 3.35"

Material: 1.2mm / 18 gauge Steel

Part No.	Description	Height (U)
EX-6302	19" Rack Laptop Drawer	2U



EX-6101 - EX-6201 - Laptop Drawers

Lockable Vented Laptop Drawers.

Internal dimensions listed in the table.

Material: 1.2mm / 18 gauge Steel

Part No.	Finish	Internal Dimension (WxDxH)	External Dimension (WxDxH)	Weight
EX-6101B	Black	350mm x 338mm x 45.6mm / 13.78" x 13.31" x 1.8"	376mm x 446mm x 55mm / 14.8" x 17.56" x 2.17"	3.48kg/7.68lb
EX-6101S	Silver			
EX-6101W	White			
EX-6151B	Black	450mm x 338mm x 45.6mm / 17.72" x 13.31" x 1.8"	476mm x 446mm x 55mm / 18.74" x 17.56" x 2.17"	3.93kg/8.66lb
EX-6151S	Silver			
EX-6171B	Black	550mm x 338mm x 45.6mm / 21.65" x 13.31" x 1.8"	576mm x 446mm x 55mm / 22.68" x 17.56" x 2.17"	4.38kg/9.65lb
EX-6171S	Silver			
EX-6201B	Black	450mm x 338mm x 75mm / 17.72" x 13.31" x 2.95"	480mm x 446mm x 80mm / 18.9" x 17.56" x 3.15"	
EX-6201S	Silver			

3

CROSS

LONGER AND STRONGER

Cross 3 is here to revolutionise cable crossovers and redefine the industry standard. Forged from high quality thermoplastic polyurethane (TPU), Cross 3 is a three channel crossover that gives you unrivalled strength, abrasion resistance and flexibility, with fire retardant technology. Cross 3's superior performance makes it the clear choice for any working environment, whether indoor or outdoor.



NEW
YELLOW LID

CROSS 3 STANDS FIRM AGAINST:



CARS



PALLET TRUCKS



FORKLIFTS



TRUCKS

KEY FEATURES:

- Fire retardant (DIN EN 13501-1).
- Coloured lids can be changed.
- Quick and easy assembly.
- Standard dimension of 110cm - 10% longer than standard cable crossovers!
- Fixed lid in drive over position.



Scan to Watch
Our Video

Or Visit:
youtu.be/ahvnTjyI78s

Shop: www.PennElcomOnline.com

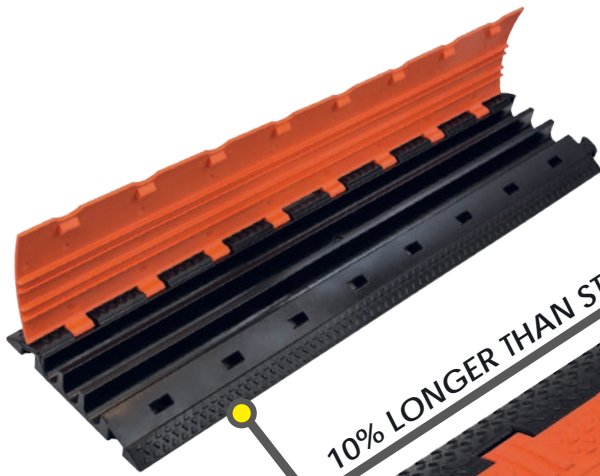
Catalogue: www.Penn-Elcom.com

3 CROSS

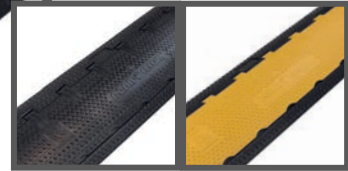
A CLOSER LOOK



TWO CONNECTORS
Create a longer crossover with our strong connectors



10% LONGER THAN STANDARD CROSSOVERS



CHANGEABLE LID
Available in black, orange or yellow



CUSTOM LOGO PLATES
Make our bar your own by adding your company logo



3 CHANNEL CABLE ENTRY
Channels at 3.2cm width give plenty of space for large volumes of cable



HEXAGONAL BASE
Hexagonal pattern gives base extra strength

END SECTION NOW AVAILABLE



DIMENSIONS:

- Length: 110cm / 43.3"
- Width: 29cm / 11.42"
- Height: 5.5cm / 2.2"
- Weight: 7.5kg / 16.53lbs
- Channel width: 3.2 cm (x3) / 1.6" (x3)

PRODUCT CODES:

CODE	DESCRIPTION
CROSS3K	Cross 3 - black lid
CROSS3O	Cross 3 - orange lid
CROSS3Y	Cross 3 - yellow lid
CROSS3-END	Cross 3 - end

5

CROSS

THE COMPREHENSIVE CROSSOVER SYSTEM

Cross 5 is far more than just a cable protector. Forged from high quality thermoplastic polyurethane (TPU), this is a five-channel **modular** crossover system with unrivalled strength, abrasion resistance and a NEW fire retardant technology.

An ingenious **new design** makes a huge variety of crossover combinations possible, whatever your cable management needs. The two elements that create this system are the **base** section and the **ramp** section.

BASE SECTION

This acts as the primary modular section from which many combinations of crossover patterns can be created.



RAMP SECTION

Fits to the base and has a 15° angle of inclination, calculated as optimal for prevention of shifting and dislodging.



'BRICK WALL' STRENGTH

Each piece connects to form a staggered pattern like a brick wall, distributing force evenly and giving unrivalled strength.



KEY FEATURES:

- Modular system is quick and easy to assemble.
- Indented channel ridges prevent the lid bowing under pressure.
- Withstands up to 5 tonnes of direct pressure.
- Highly tear-proof with high form stability.
- Resistant to most oils, fats and chemicals.
- Fire retardant (DIN EN 13501-1).
- Swappable lids in either black or orange.



FIRE RETARDANT

CROSS 5

COMBINATIONS

With Cross 5, you can create endless crossover structure possibilities, whether you need 5, 10, 15, 100 or more cable channels!



1 base section with 2 ramp sections attached either side (5 channels).



3 base sections connected as a column with 2 ramp sections attached either side (15 channels).



1 base section with 2 ramp sections attached to one side (5 channels).



3 base sections connected as a row with ramp sections attached either side (5 channels).



2 base sections connected as a column with ramp sections attached either side (10 channels).



Cross 5 can even be cut into two using a compass saw. This allows you to create even more crossover structures.

The connectors on Cross 5 are on each side, not the end, so that they are connected all the way along the length. This creates an extremely stable and robust crossover structure.



Scan to Watch Our Video

Or Visit: youtu.be/wNtHXBJUFlo

DIMENSIONS:

Base Section

- Length: 100cm / 39.37"
- Width: 37cm / 14.6"
- Width of x2 base pieces side by side: 80 cm / 31.5"
- Height: 5.8cm / 2.3"
- Weight: 12kg / 26.5lbs
- Cable channels: width 4cm / 1.5", height 4.4cm / 1.7"

Ramp Section

- Length: 100cm / 39.37"
- Width: 23cm / 9"
- Height: 5cm / 2"
- Weight: 5kg / 11lbs
- Incline angle: 15°

Sections are also available in half lengths!

WEIGHT LIMITS:

Cross 5 can sustain the weight of **any licensed road vehicle** (cars, tractors, trucks etc) and can withstand 5 tonnes of direct pressure.

PRODUCT CODES:

CODE	DESCRIPTION
CROSS5-RAMP	Cross 5 Ramp (15° angle)
CROSS5-RAMP-500	Cross 5 Half Ramp (15° angle)
CROSS5K	Cross 5 Base - black lid
CROSS5O	Cross 5 Base - orange lid
CROSS5K-500	Cross 5 Half Base - black lid
CROSS5O-500	Cross 5 Half Base - orange lid

THE PENN MEETING POD



This ready-made meeting pod is the ideal solution for quickly equipping any indoor space with additional privacy rooms.

Perfect for transforming niches and unused space into working areas and in temporary occupancies or locations where floor plan alterations are not possible. The PMP4 delivers comfort and privacy for meeting, working and conferencing anywhere you need it. Easily integratable, it networks with existing schedule software and telephony systems with upgrade options also available.

AVAILABLE NOW
[Penn-Elcom.com](https://www.penn-elcom.com)

Product Code: PMP4

info@penn-elcom.com

DESIGNED & MANUFACTURED BY
penn  ELCOM®

INNOVATIVE FEATURES

UPGRADE
MEDIA • TELEPHONY • SECURITY

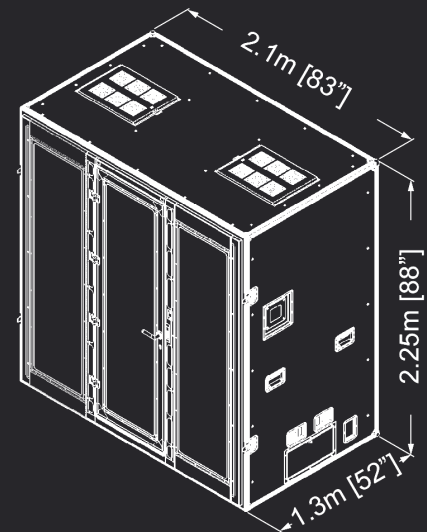


OPTIONS:

- **Privacy:** Acoustic sound dampening
- **Ventilation:** Electric fans
- **Lighting:** Dimmable LED
- **Connectivity:** USB, power & ethernet sockets
- **Display:** 1 or 2 wall monitors
- **Conferencing:** Webcam, mic & voice speaker
- **Door:** Key lockable
- **Storage:** Under-seat
- **Network:** External meeting planner screen (e.g Outlook) with occupancy indicator light (green or red)

Installation is worry-free too because the PMP4 requires only mains power and an optional network connection. Its self-contained design ensures safe and simple removal without leaving damage to the floor or walls."

DIMENSIONS:



UPGRADE YOUR PMP4:

- Media experience kit (audio speakers, large HD screen)
- Network telephony system
- Magnetic badge access
- Customisable skin options

Penn-Elcom.com

Product Code: PMP4

info@penn-elcom.com

penn & ELCOM®

MADE IN ENGLAND
95

Index

PartNo	Page	PartNo	Page	PartNo	Page	PartNo	Page
3232-10LK	62	ATNA4LJX	132	COAC3FB	139	COACPSKB	151
3232-18LK	62	ATNA4MPJ	127	COAC3FBLU	139	COACPSKBAU	151
3232LK	62	ATNA5FF	132	COAC3FBRN	139	COACPSKN	151
3232-SLAM-LOCK	65	ATNA5MM	132	COAC3FCP	140	COACPSKNAU	151
3233-10LK	62	ATNADITBNCF	132	COAC3FDZ	144	COACPSTB	152
3233-18LK	62	ATNADITBNCFX	133	COAC3FDZB	144	COACPSTBAU	152
3233LK	62	ATNADITBNCF	132	COAC3FGRN	139	COACPSTN	152
3234-10LK	62	ATNADITBNCFM	133	COAC3FGRY	139	COACPSTNAU	152
3234-18LK	62	ATNYS237	132	COAC3FORG	139	COAG3F	146
3234LK	62	CA3BK15HO7	165	COAC3FPZ	144	COAG3M	146
3235-10LK	62	CA3BK25HO7	165	COAC3FPZB	144	COAX3F	143
3235-18LK	62	CA3BK4HO7	165	COAC3FRED	139	COAX3FB	143
3235LK	62	Cables	161	COAC3FVIO	139	COAX3M	143
3236-10LK	62	CACPB	165	COAC3FWHT	139	COAX3MB	143
3236-18LK	62	CACPGY	165	COAC3FYEL	139	COAX5F	143
3236LK	62	CADIGIC01	166	COAC3M	140	COAX5FB	143
3237-18LK	62	CADMXA10BK	166	COAC3M3MDW	159	COAX5M	143
3237LK	62	CADMXB	166	COAC3M3MW	157	COAX5MB	143
3238-18LK	62	CADMPX	165	COAC3M5FW	157	COBPX0	139
3238LK	62	CAIA10BK	161	COAC3MBLU	140	COBPX1	139
60801-20	136	CAIC110B	161	COAC3MCP	140	COBPX2	139
60812-20	136	CAMA10B	162	COAC3MDZ	144	COBPX3	139
60817-20	136	CAMA10BK	162	COAC3MDZB	144	COBPX4	139
60820-20	136	CAMA10P	162	COAC3MGRY	140	COBPX5	139
60822-20	136	CAMA10R	162	COAC3MM	141	COBPX6	139
81511-15	174	CAMA30BK	162	COAC3MMB	141	COBPX7	139
81511-15-S	174	CAMC65BK	162	COAC3MMBLU	141	COBPX8	139
81511-20	174	CAMCA12	164	COAC3MMBRN	141	COBPX9	139
81511-RC	174	CAMCA20	164	COAC3MMDZ	144	COBSP0	137
81511-RCS	174	CAMCA24	164	COAC3MMDZB	144	COBSP1	137
81511-RCW	174	CAMCA28	164	COAC3MMGRN	141	COBSP2	137
82511-20	174	CAMCA36	164	COAC3MMGRY	141	COBSP3	137
82511-RC	174	CAMCA42	164	COAC3MMORG	141	COBSP4	137
82511-RCS	174	CAMCA48	164	COAC3MMPNZ	145	COBSP5	137
82511-RCW	174	CAMCA56	164	COAC3MMRED	141	COBSP6	137
83511-20	174	CAMCA6	164	COAC3MMVIO	141	COBSP7	137
83511-RC	174	CAMCA8	164	COAC3MMWHT	141	COBSP8	137
83511-RCS	174	CASC152	163	COAC3MMYEL	141	COBSP9	137
83511-RCW	174	CASC252	163	COAC3MORG	140	COBXX0	137
84511-15D-RC	174	CASCAT5E	166	COAC3MRED	140	COBXX1	137
84511-15D-RCS	174	CASZ152	162	COAC3MWHT	140	COBXX2	137
84511-20	174	CASZ252	163	COAC3MYEL	140	COBXX3	137
84511-8RC	174	CASZ254	163	COAC4F	141	COBXX4	137
84511-8RCS	174	CASZ258	163	COAC4M	141	COBXX5	137
84511-8RCW	174	CAUNC02	164	COAC5F	142	COBXX6	137
84511-9D-RC	174	CAUNC04	164	COAC5FB	142	COBXX7	137
84511-9D-RCS	174	CAUNC06	164	COAC5FDZ	145	COBXX8	137
84511-RC	174	CAUNC08	164	COAC5FDZB	145	COBXX9	137
84511-RCS	174	CAUNC12	164	COAC5FPZ	145	CODSS0	136
84511-RCW	174	CAUNC16	164	COAC5M	142	CODSS1	136
86511-RC	174	CAUNC24	164	COAC5M5MDW	159	CODSS2	136
86511-RCS	174	CAUNC32	164	COAC5M5MW	157	CODSS3	136
8700	108	CBT002	98	COAC5MB	142	CODSS4	136
96040-20	109	CBT003	98	COAC5MDZ	145	CODSS5	136
96084-20	109	CBT004	98	COAC5MDZB	145	CODSS6	136
96216-20	109	CBT005	98	COAC7F	142	CODSS7	136
ACJM-MHD	160	CBT006	98	COAC7M	142	CODSS8	136
ACJM-MHS	160	CBT007	98	COACHDMIRR	156	CODSS9	136
ACJM-MHSN	160	CBT008	98	COACJDBLK	154	COEP511P	148
ACJS-MHD	160	CBT009	98	COACJDRED	154	COEP511PB	148
ACJS-MHR	160	CBT010	98	COACJMMV2	154	COEP512	148
ACJS-MHS	160	CBT011	98	COACNUTBLU	159	COEP512B	148
AF-F12	92	CBT012	98	COACNUTBRN	159	COEP513P	149
ATNA2BBNCD9B	127	CM01R	98	COACNUTGRN	159	COEP513PB	149
ATNA2FBNC	129	CMP-1U	84	COACNUTGRY	159	COHP3F	155
ATNA2FD0BTX	127	CMP-SD	85	COACNUTORG	159	COHP3FG	155
ATNA2FP	129	CMP-SD-2U	85	COACNUTRED	159	COHP3MD	155
ATNA2FPMF	130	CMS-02-790B	178	COACNUTVIO	159	COHP3MDG	155
ATNA2MBNC	129	CMS-02-790S	178	COACNUTWHT	159	COHP3MDGW	156
ATNA2MD2BTX	127	CMS-02B	178	COACNUTYEL	159	COHP3MDW	155
ATNA2MP	129	CMS-02S	178	COACPMGB	149	COJM2P	153
ATNA2MMPMF	130	CMS-03-790B	178	COACPMGN	149	COJS3P	153
ATNA3F5M	131	CMS-03-790S	178	COACPMKB	150	COKM2P	152
ATNA3FDM	127	CMS-03B	178	COACPMKBAU	150	COKM2PB	152
ATNA3FF	130	CMS-03S	178	COACPMKN	150	COKS3P	152
ATNA3FJ	130	CMS-05-790B	178	COACPMKNAU	150	COKS3PB	153
ATNA3FM	130	CMS-05-790S	178	COACPMRB	150	COKS3PC	153
ATNA3FP	131	CMS-05B	178	COACPMRN	150	COMFD	134
ATNA3JJ	131	CMS-05S	178	COACPMTB	151	COMFG	134
ATNA3M5F	131	CN01	112	COACPMTBAU	151	COMFT	134
ATNA3MDF	127	COAC3F	139	COACPMTN	151	COMRF12	125
ATNA3MJ	130	COAC3F3FDW	159	COACPMTNAU	151	COMSCF12	125
ATNA3MM	131	COAC3F3FW	156	COACPRBLK	154	COMSCM12	125
ATNA3MP	131	COAC3F5MW	157	COACPRRED	154	CONAC32FC	122

Index

PartNo	Page	PartNo	Page	PartNo	Page	PartNo	Page
CONAC32MP	122	CONC5MDLX	118	CONLT4MPBAG	121	COPXR4	138
CONAC3FCA	121	CONC5MDLXB	118	CONLT4MX	121	COPXR5	138
CONAC3FCB	121	CONC5MDLXBAG	118	CONLT4MXBAG	121	COPXR6	138
CONAC3FCHC	122	CONC5MDLXM3	118	CONLT8FX	121	COPXR7	138
CONAC3FPXSTTOP	122	CONC5MDM3HIDC	128	CONLT8FXBAG	121	COPXR8	138
CONAC3FPXTOP	122	CONC5MDM3HPCBRJ	129	CONLT8MP	121	COPXR9	138
CONAC3FXWTOP	123	CONC5MDXTOP	117	CONLT8MPBAG	121	CORJX8MB	156
CONAC3MM	128	CONC5MRX	117	CONMBC	125	COSP2F	146
CONAC3MPA1	121	CONC5MXTOP	116	CONMBS	125	COSP2FN	146
CONAC3MPB1	121	CONC5MXX	115	CONMC8	126	COSP2MD	148
CONAC3MPHC	122	CONC5MXXB	115	CONMC81	126	COSP4F	147
CONAC3MPXTOP	122	CONC5MXXBAG	115	CONMFI	125	COSP4F4FDW	159
CONAC3MXWTOP	123	CONC6FDLX	118	CONMI8	126	COSP4FG	147
CONAC3PXTOP	122	CONC6FDLXB	118	CONMMI	125	COSP4FL	147
CONBB75DFGB	125	CONC6FRX	117	CONMPS	125	COSP4FN	147
CONBB75DFI	125	CONC6FXX	115	CONMRF	125	COSP4FSG	147
CONBB75DFIB	125	CONC6FXXB	115	CONMRM	125	COSP4FSL	147
CONBB75DSI	125	CONC6MDLX	118	CONMRM12	125	COSP4MC	149
CONBNC75BLP7	124	CONC6MDLXB	118	Connectors	113	COSP4MD	148
CONBP1	126	CONC6MRX	117	CONORP8F	126	COSP4MDVT8	149
CONBS1	126	CONC6MXX	115	CONORP8M	126	COTM2P	150
CONC3FDLX	118	CONC6MXXB	115	CONOSC8F	126	COTM2RJ	150
CONC3FDLXB	118	CONC7FDLX	118	CONOSC8M	126	COTS3P	151
CONC3FDLXBAG	118	CONC7FXX	115	CONP2RXAU	114	COTS3RJ	151
CONC3FDLXM3	118	CONC7FXXB	115	CONP2RXBAGD	113	COXXCR	137
CONC3FDXTOP	117	CONC7FXXBAG	115	CONP2RXBD	113	COXXR0	138
CONC3FMC	116	CONC7MDLX	118	CONP2RXD	113	COXXR1	138
CONC3FRX	117	CONC7MXX	115	CONP2X	113	COXXR2	138
CONC3FRXBAG	117	CONC7MXXB	115	CONP2XAUS	114	COXXR3	138
CONC3FXTOP	116	CONC7MXXBAG	115	CONP2XB	113	COXXR4	138
CONC3FXX	115	CONDF	134	CONP2XBAG	113	COXXR5	138
CONC3FXXB	115	CONDL	133	CONP2XD	113	COXXR6	138
CONC3FXXBAG	115	CONDM	134	CONP2XL	113	COXXR7	138
CONC3FXXD	115	CONE8FAH	124	CONP3X	113	COXXR8	138
CONC3FXXEMC	116	CONE8FAV	124	CONP3XBAGD	113	COXXR9	138
CONC3FXXHE	116	CONE8FAVYK	124	CONP3XBD	113	CPU-23B	177
CONC3MDLX	118	CONE8FBV	124	CONP3XD	113	CPU-23S	177
CONC3MDLXB	118	CONE8FDHC5ETOP	124	CONPP1	126	CPU-42BN	176
CONC3MDLXBAG	118	CONE8FDP	124	CONPS1	126	CPU-42SN	176
CONC3MDLXM3	118	CONE8FDPB	124	CONRP8	126	CPU-57BN	176
CONC3MDXTOP	117	CONE8FDPTOP	124	CONRP81	126	CPU-57SN	176
CONC3MRX	117	CONE8FDV	124	CONSC8	126	CPU-64B	178
CONC3MRXBAG	117	CONE8FDVTOP	124	CONSC81	126	CPU-64S	178
CONC3MXTOP	116	CONE8FDVYK	124	CONSCDR	134	CPU-65B	178
CONC3MXX	115	CONE8FF	128	CONSCDX	136	CPU-65S	178
CONC3MXXB	115	CONE8MX	123	CONSCF	133	CPU-66B	178
CONC3MXXBAG	115	CONE8MX1	123	CONSCS	133	CPU-66S	178
CONC3MXXD	115	CONE8MXB	123	CONSCM	133	CPU-72BN	176
CONC3MXXEMC	116	CONE8MXB1	123	CONSCNLT	135	CPU-72SN	176
CONC3MXXHE	116	CONE8MXTOP	123	CONSR8	126	CPU-87B	176
CONC4FDLX	118	CONF2CB2	119	CONTP3RC	114	CPU-87B/L	177
CONC4FDLXB	118	CONF2D0	119	CONTP3RCB	114	CPU-87B/L-SLIM	177
CONC4FDLXBAG	118	CONF2D2	119	CONYS201	114	CPU-87S	176
CONC4FDLXM3	118	CONF2D4	119	CONYS202	114	CPU-87S/L	177
CONC4FRX	117	CONF2D5	119	CONYS203	114	CPU-87S/L-SLIM	177
CONC4FRXB	117	CONF2D6	119	CONYS204	114	CPU-92B	176
CONC4FXX	115	CONF2D9	119	CONYS207	114	CPU-92S	176
CONC4FXXB	115	CONF2DB0	119	CONYS208	114	CR04C600	11
CONC4FXXBAG	115	CONF2DB2	119	CONYS224	114	CR12C600	11
CONC4MDLX	118	CONF2DB4	119	CONYS224BG	114	CR16C600	11
CONC4MDLXB	118	CONF2DB5	119	CONYS225	114	CRC02-DTC	89
CONC4MDLXBAG	118	CONF2DB6	119	CONYS225L	114	CRC-LINK	92
CONC4MDLXM3	118	CONF2DB9	119	CONYS226	114	CRC-TEMP	92
CONC4MRX	117	CONF8	126	CONYS226BG	114	CROSS3-END	181
CONC4MRXB	117	CONJ3FP6C	113	CONYS226L	114	CROSS3K	181
CONC4MXX	115	CONL2MP	120	CONYS231	114	CROSS3-LK	181
CONC4MXXB	115	CONL4FX	120	CONYS231B	114	CROSS3-LO	181
CONC4MXXBAG	115	CONL4FXD	120	CONYS231BG	114	CROSS3-LY	181
CONC5FAH	117	CONL4MDH	120	CONYS352	120	CROSS3O	181
CONC5FAV	117	CONL4MMX	128	CONYS352AG	120	CROSS3Y	181
CONC5FDLX	118	CONL4MP	120	CONYS352BG	120	CROSS5K	182
CONC5FDLXB	118	CONL4MPR	120	CONYS3670	119	CROSS5K-500	182
CONC5FDLXBAG	118	CONL4MPST	120	CONYS3672	119	CROSS5-LK	182
CONC5FDLXM3	118	CONL4MPUC	120	CONYS3674	119	CROSS5-LK-500	182
CONC5FDM3HIDC	128	CONL8FC	120	CONYS3675	119	CROSS5-LO	182
CONC5FDM3HPCBRJ	129	CONL8MM	128	CONYS3676	119	CROSS5-LO-500	182
CONC5FDXTOP	117	CONL8MPR	120	CONYS3679	119	CROSS5O	182
CONC5FRX	117	CONL8MPRBAG	120	CONYS372PBG	119	CROSS5O-500	182
CONC5FXTOP	116	CONLFAS	138	COOLRAC-B	88	CROSS5-RAMP	182
CONC5FXX	115	CONLT4FP	121	COOLRAC-S	88	CROSS5-RAMP-500	182
CONC5FXXB	115	CONLT4FPBAG	121	COPXR0	138	CZRCB	13
CONC5FXXBAG	115	CONLT4FX	121	COPXR1	138	DL01	13
CONC5MAH	117	CONLT4FXBAG	121	COPXR2	138	EP-5-14	160
CONC5MAV	117	CONLT4MP	121	COPXR3	138	EX-1220B	176

Index

PartNo	Page	PartNo	Page	PartNo	Page	PartNo	Page
EX-1220S	176	M1906/T11	135	R1187-440	55	R1268/3UVK	70
EX-1225S	177	M1908	135	R1187-520	55	R1268/4UG	69
EX-6101B	179	M1908/B13	135	R1191/1UK	53	R1268/4UK	69
EX-6101S	179	M1908/B9	135	R1191/2UK	53	R1268/5UG	69
EX-6101W	179	M1908/D16	135	R1194/1UG	50	R1268/5UK	69
EX-6151B	179	M1908/P7	135	R1194/1UK	50	R1268/6UG	69
EX-6151S	179	M1908/T11	135	R1194/1UK-180	50	R1268/6UK	69
EX-6171B	179	M6001	64	R1194/1UVG	50	R1268/860K	70
EX-6171S	179	P1032/UNFK	110	R1194/1UVK	50	R1268-1UK-05TR	83
EX-6201B	179	P1800	108	R1194/2UG	50	R1268-1UK-05TRF	83
EX-6201S	179	Panel Designer	73	R1194/2UG-SL	59	R1268KB	70
EX-6301B	66	PDU01-14	93	R1194/2UK	50	R1269/1UK/04	74
EX-6302	66	PDU12-US	94	R1194/2UK-180	50	R1269/1UK/06	74
F3000	107	PDU16-10DJ-AU	95	R1194/2UK-SL	59	R1269/1UK/08	74
FAN CORD	108	PDU16-10DJ-EU	95	R1194/2UVG	50	R1269/1UK/12	74
FP02-Q-3U	89	PDU16-10DJ-UK	95	R1194/2UVK	50	R1269/1UK/12CTF	84
FT01-Q	88	PDU16-10DJ-US	95	R1194/3UG	51	R1269/1UK/16	74
FT01Q-DTC	89	PDU16-6UK	94	R1194/3UK	51	R1269/2UK/16	74
FT01Q-DTC-F	89	PDU16-AV	94	R1194/3UVG	51	R1269/2UK/24	74
FT02-Q	88	PDU16-EU	93	R1194/3UVK	51	R1269/2UK/24-1	75
FT80-Q	91	PDU16-PC	93	R1194/4UG	51	R1269/2UK/32	74
FT80-Q-FC	91	PDU16-UN	93	R1194/4UK	51	R1269/3UK/24	74
FT-DTC	90	PDU20-UK	92	R1194/4UVG	51	R1269/3UK/36	74
GUARD	108	PDU24-US	94	R1194/4UVK	51	R1269/3UK/48	74
HSM6FW	111	PDU6SW	94	R1194/5UK	51	R1269ID/1UK/16	74
ID-STRIP	109	PDU6-UK	92	R1194-400/2UVK	51	R1271	76
Leads	167	PDU-AM-6	92	R1194-905/1UK	54	R1272/2UK	87
LEDMA1	170	PDU-AU-20B	92	R1194-905/1UVK	54	R1272/2UVK	86
LEDMA10	170	PDU-AU-6	92	R1195	59	R1272/3UK	87
LEDMA15	170	PDU-CN-20B	92	R1196/100	108	R1272/3UVK	86
LEDMA3	170	PDU-CN-6B	93	R1196/200	108	R1272/4UK	87
LEDMA5	170	PDU-EU-20B	92	R1197/100	108	R1272/4UVK	86
LEISTA1	167	PDU-EU-6	92	R1197/200	108	R1272/6UK	87
LEISTA15	167	PDU-EU-6B	93	R1198	108	R1272/6UVK	86
LEISTA3	167	PDU-US-20B	92	R1199	108	R1273/2UK	75
LEISTA6	167	PDU-US-6B	93	R1204/2UK	75	R1273MPR/2UK	75
LEISTA9	167	PGRD06C	13	R1206/1U	109	R1274	75
LEIY1	167	PGRD08C	29	R1206/2U	109	R1275/05UK	68
LEIY3	167	PGRD12C	13	R1206/3U	109	R1275/1UAK	69
LEIY8	167	PGRD12C-300	29	R1206/4U	109	R1275/1UAKLAZ	68
LEIYRCA1	170	PGRD16C	13	R1207-1U	109	R1275/1UAS	69
LEIYRCA3	170	PGRD16C-300	29	R1207-2U	109	R1275/1UASLAZ	68
LEIYRCA8	170	PGRD20C	13	R1209/01	108	R1275/1UK	68
LEMXX1	169	PGRD24C	13	R1242K	96	R1275/1UVK	71
LEMXX15	169	PGRD28C	13	R1245/1UK	83	R1275/2UAK	69
LEMXX3	169	PGRD32C	13	R1245L/1UK	83	R1275/2UAS	69
LEMXX8	169	PGRD35C	13	R1248-2UK	78	R1275/2UK	68
LEMSTA15M	169	PM5CNK	110	R1265/105UC	87	R1275/2UVK	71
LEMSTA1M	169	PM6CNK	110	R1265/105UK	87	R1275/3UAK	69
LEMSTA3M	169	R02C	12	R1265/2UC	87	R1275/3UK	68
LEMSTA6M	169	R04C	12	R1265/2UK	87	R1275/3UVK	71
LEMSTA9M	169	R06C	12	R1265/3UC	87	R1275/4UAK	69
LEMSTAFP1	169	R0828	40	R1265/3UK	87	R1275/4UAS	69
LEMSTAFP6	169	R0828/M5	40	R1265/4UC	87	R1275/4UK	68
LEMSTAMP1	169	R0828/M6	40	R1265/4UK	87	R1275/5UK	68
LEMSTAMP6	169	R0830	42	R1267/1UK	69	R1275/6UK	68
LERDRR1	170	R0830/10	42	R1267/1UVK	71	R1276	76
LERDRR3	170	R0830/2000	42	R1267/2UK	69	R1277/1UK	75
LERDRR8	170	R0855K	60	R1267/2UVK	71	R1278/1UK	76
LERDRX3	170	R0856K	60	R1267/3UK	69	R1279/1UK	70
LERDRX8	170	R0857K	60	R1267/3UVK	71	R1279/2UK	70
LESA4P10	168	R0858K	60	R1268/05UG	69	R1279/3UK	70
LESA4P3	168	R0863	41	R1268/05UK	69	R1279/4UK	70
LESA4P6	168	R0863/2MM	41	R1268/1U-CTB	86	R1280/1UK/16	74
LESR4410	168	R0863-1032	40	R1268/1UG	69	R1280/1UK/20	74
LESR4420	168	R0863-M6	40	R1268/1UG-PBS	78	R1280/1UK/24	74
LESR443	168	R0883	41	R1268/1UK	69	R1280/2UK/40	74
LESR445	168	R0883/2MM	41	R1268/1UK/719	77	R1280/2UK/48	74
LESSR2210	168	R0883-1032	40	R1268/1UK-PBS	78	R1282	76
LESSR2220	168	R0883-M6	40	R1268/1UVK	70	R1283	76
LESSR223	168	R0889K-25	41	R1268/2U-CTB	86	R1285/1UG	68
LESSR225	168	R0889K-25/12MM	110	R1268/2UG	69	R1285/1UK	68
M1740	160	R0889K-25/20MM	110	R1268/2UG-PBS	78	R1285/2UG	68
M1745	160	R0889K-25/30MM	110	R1268/2UK	69	R1285/2UK	68
M1750	160	R0889Z-25	41	R1268/2UK/718	77	R1285/3UG	68
M1755	160	R0889Z-25/12MM	110	R1268/2UK-721	77	R1285/3UK	68
M1756	160	R0889Z-25/20MM	110	R1268/2UK-PBS	78	R1285/4UG	68
M1760	160	R0889Z-25/30MM	110	R1268/2UVK	70	R1285/4UK	68
M1905	135	R08C	12	R1268/3UG	69	R1285-CMP-1U	85
M1906	135	R0900	41	R1268/3UK	69	R1286/05UVG	71
M1906/B13	135	R0900/4000	41	R1268/3UK/719	77	R1286/05UVK	71
M1906/B9	135	R1187-290	55	R1268/3UK/F1	70	R1286/1UVG	71
M1906/D16	135	R1187-350	55	R1268/3UK/F2	70	R1286/1UVK	71
M1906/P7	135	R1187-390	55	R1268/3UK/F3	70	R1286/2UVG	71

Index

PartNo	Page	PartNo	Page	PartNo	Page	PartNo	Page
R1286/2UVK	71	R1297-SL-3UK	59	R16C	12	R2294-10-2UK	63
R1286/3UVG	71	R1297-SL-4UK	59	R16C600	12	R2294-10-3UK	63
R1286/3UVK	71	R1297-TCBK	56	R2020-12U	15	R2294-10-4UK	63
R1286/4UVG	71	R1298/10UK	87	R2020-14U	15	R2294-10-5UK	63
R1286/4UVK	71	R1298/14UK	87	R2020-16U	15	R2294-10-6UK	63
R1287/1BK	84	R1298/6UK	87	R2020-18U	15	R2294-18-2UK	63
R1287/1UK	84	R1299/3UK	77	R2020-20U	15	R2294-18-3UK	63
R1287/2BK	84	R1299/3UK-KIT	78	R2020-24U	15	R2294-18-4UK	63
R1287/2UK	84	R1299-RAIL	78	R2020-25U	15	R2294-18-5UK	63
R1287/3BK	84	R12C	12	R2020-28U	15	R2294-18-6UK	63
R1287/3UK	84	R12C600	12	R2020-46-12U	15	R2294-18-7UK	63
R1287/4BK	84	R1307	97	R2020-46-14U	15	R2294-18-8UK	63
R1287/4UK	84	R1308	97	R2020-46-16U	15	R2294-2UK	63
R1288/2UK	52	R1309	97	R2020-46-18U	15	R2294-3UK	63
R1288/3UK	52	R1311	97	R2020-46-20U	15	R2294-4UK	63
R1288/4UK	52	R1311-1A	97	R2020-46-24U	15	R2294-5UK	63
R1288/5UK	52	R1311-2A	97	R2020-46-25U	15	R2294-6UK	63
R1288/6UK	52	R1311-3A	97	R2020-46-28U	15	R2294-7UK	63
R1288/CBG	55	R1312/1UK	76	R2020-60-12U	15	R2294-8UK	63
R1288/CBK	55	R1313/1UK	77	R2020-60-14U	15	R2295-10-2UK	64
R1288-DCBK	55	R1317	85	R2020-60-16U	15	R2295-10-3UK	64
R1289/1UVK	71	R1320/1UK	96	R2020-60-18U	15	R2295-10-4UK	64
R1289/2UVK	71	R1372/2UVK	86	R2020-60-20U	15	R2295-10-5UK	64
R1289/3UVK	71	R1372/3UVK	86	R2020-60-24U	15	R2295-10-6UK	64
R1289/4UVK	71	R1372/4UVK	86	R2020-60-25U	15	R2295-18-2UK	64
R1290/1U	58	R1372/5UVK	86	R2020-60-28U	15	R2295-18-3UK	64
R1290/1UG	58	R1372/6UVK	86	R2020-60-xxU/10-32	15	R2295-18-4UK	64
R1290-600/1UG	58	R1380/2UK	101	R2020-60-xxU/M6	15	R2295-18-5UK	64
R1290-600/1UK	58	R1380/3UK	101	R2020-80-12U	15	R2295-18-6UK	64
R1291G	58	R1380/4UK	101	R2020-80-14U	15	R2295-18-7UK	64
R1291K	58	R1385/1UG	68	R2020-80-16U	15	R2295-18-8UK	64
R1291K/2L	58	R1385/1UK	68	R2020-80-18U	15	R2295-2UK	64
R1292G	61	R1385/2UG	68	R2020-80-20U	15	R2295-3UK	64
R1292-GKBT	58	R1385/2UK	68	R2020-80-24U	15	R2295-4UK	64
R1292K	61	R1385/3UG	68	R2020-80-25U	15	R2295-5UK	64
R1292K/10	61	R1385/3UK	68	R2020-80-28U	15	R2295-6UK	64
R1292K/18	61	R1385/4UG	68	R2020-80-xxU/10-32	15	R2295-7UK	64
R1292-KBT	58	R1385/4UK	68	R2020-80-xxU/M6	15	R2295-8UK	64
R1292-KEY	65	R1397/2UK	54	R2020-CASTOR-KIT	15	R2299/3UK-KIT	77
R1292-SLAM	65	R1397/3UK	54	R2020-SP-16U	15	R2299-RAIL	77
R1293G	61	R1397/4UK	54	R2020-xxU/10-32	15	R2320	109
R1293K	61	R1497/2UK-2TB	49	R2020-xxU/M6	15	R2340-08	102
R1293K/10	61	R1497/2UK-SKY-DRX895	49	R20C	12	R2340-12	102
R1293K/18	61	R1497/2UK-SKYHD	49	R20C600	12	R2345-06	102
R1294G	61	R1498/1UK-AMAZON	49	R2100/1UK	101	R2345-12	102
R1294K	61	R1498/1UK-ATV1	49	R2100/1US	101	R2345-16	102
R1294K/10	61	R1498/1UK-ATV2	49	R2100/2UK	101	R2345-20	102
R1294K/18	61	R1498/1UK-ROKU4	49	R2100/2US	101	R2345-24	102
R1295G	61	R1498/2UK-ATV1	49	R2100/3UK	101	R2345-28	102
R1295K	61	R1498/2UK-ATV2	49	R2100/3US	101	R2345-32	102
R1295K/10	61	R1498/2UK-ATV3	49	R2100/4UK	101	R2345-36	102
R1295K/18	61	R1498/2UK-DIRECTTV	49	R2100/4US	101	R2345-40	102
R1296G	61	R1498/2UK-DTVH24	49	R2110/1UK	101	R2345-48	102
R1296K	61	R1498/2UK-MACMINI13	49	R2110/1US	101	R2350-08	101
R1296K/10	61	R1498/2UK-PS4	49	R2110/2UK	101	R2350-12	101
R1296K/18	61	R1498/2UK-PS4-PRO	49	R2110/2US	101	R2350-16	101
R1297/1-5UK	53	R1498/2UK-PS4-SLIM	49	R2110/3UK	101	R2350-20	101
R1297/2UG	53	R1498/2UK-S90B1	49	R2110/3US	101	R2350-24	101
R1297/2UK	53	R1498/2UK-SB1	49	R2110/4UK	101	R2350-28	101
R1297/3UG	53	R1498/2UK-SB2	49	R2110/4US	101	R2350-32	101
R1297/3UK	53	R1498/2UK-SB3	49	R2245/1UK	83	R2350-36	101
R1297/4UG	53	R1498/2UK-SKYQ	49	R2245L/1UK	83	R2350-40	101
R1297/4UK	53	R1498/2UK-SKYQMINI	49	R2248-2UK	78	R2350-48	101
R1297-152/1UK	52	R1498/2UK-SONAMP1	49	R2269/1UK-08	79	R2350-CG-01	102
R1297-152/2UK	52	R1498/2UK-SONAMP2	49	R2269/1UK-12	79	R2350-CG-02	102
R1297-500/2UK	54	R1498/2UK-SONAMPZP90	49	R2269/1UK-16	79	R2350-CG-03	102
R1297-500/3UK	54	R1498/2UK-SONOS1	49	R2269-2UK-16	79	R2350-CG-04	102
R1297-500/4UK	54	R1498/2UK-SONOS2	49	R2269-2UK-24	79	R2350-CG-05	102
R1297-600/2UK	54	R1498/2UK-SONOS3	49	R2269-2UK-32	79	R2350-CG-06	102
R1297-600/3UK	54	R1498/2UK-SONPT	49	R2280-1U-16	79	R24C	12
R1297-600/4UK	54	R1498/2UK-SPORT1	49	R2280-1U-20	79	R24C600	12
R1297-BSK	56	R1498/2UK-SPORT2	49	R2280-1U-24	79	R2510-1U	29
R1297-CBK	56	R1498/2UK-WII	49	R2280-2UK-32	79	R2510-2U	29
R1297-DC-2UK	57	R1498/2UK-XBOX1S	49	R2280-2UK-40	79	R2510-3U	29
R1297-DV190-K	56	R1498/2UK-XBOX1X	49	R2280-2UK-48	79	R2510-4U	29
R1297-DVS-2UK	56	R1498/2UK-YVT100	49	R2287/1UK	84	R2520-1032-2UK	28
R1297-DVS-3UK	57	R1498/3UK-S12090	49	R2287/2UK	84	R2520-1032-3UK	28
R1297-DVS-SHELF-2UK	56	R1498/3UK-S120B1	49	R2287/3UK	84	R2520-1032-4UK	28
R1297-DVS-SHELF-3UK	57	R1498/3UK-SONOSZP120	49	R2287/4UK	84	R2520-1032-5UK	28
R1297-RMBK	53	R1498/3UK-SONOSZP120S	49	R2292-18-7UK	61	R2520-1032-6UK	28
R1297-SL18-2UK	59	R1498/3UK-XBOX1	49	R2292-18-8UK	61	R2520-2U	28
R1297-SL18-3UK	59	R1498-SL-2UK	59	R2292-7U	61	R2520-3U	28
R1297-SL18-4UK	59	R1498-SL-3UK	59	R2292-8U	61	R2520-4U	28
R1297-SL-2UK	59	R1503/CD	78	R2292-RSB-KIT	65	R2520-5U	28

Index

PartNo	Page	PartNo	Page	PartNo	Page	PartNo	Page
R2520-6U	28	R4086-32UK	5	R5086-27UK	6	R6406RHF-M6	26
R2520-M6-2UK	28	R4086-37UK	5	R5086-32UK	6	R6406V-1032	21
R2520-M6-3UK	28	R4086-42UK	5	R5086-35UK	6	R6406V-M6	21
R2520-M6-4UK	28	R4086-47UK	5	R5086-37UK	6	R6406V-W-1032	21
R2520-M6-5UK	28	R4086-OT-18UK	16	R5086-42UK	6	R6406V-W-M6	21
R2520-M6-6UK	28	R4086-OT-22UK	16	R5086-47UK	6	R6406W-1032	21
R2530-2U	28	R4086-OT-27UK	16	R5086-OT-18UK	17	R6406W-M6	21
R2530-3U	28	R4086-OT-32UK	16	R5086-OT-22UK	17	R6409-1032	21
R2530-4U	28	R4086-OT-35UK	16	R5086-OT-27UK	17	R6409-M6	21
R2530-5U	28	R4086-OT-37UK	16	R5086-OT-32UK	17	R6409RHF-1032	26
R2530-6U	28	R4086-OT-42UK	16	R5086-OT-35UK	17	R6409RHF-M6	26
R2610-1U	29	R4086-OT-45UK	16	R5086-OT-37UK	17	R6409V-1032	21
R2610-2U	29	R4086-OT-47UK	16	R5086-OT-42UK	17	R6409V-M6	21
R2610-3U	29	R4086-SDPK-xxUK	17	R5086-OT-45UK	17	R6409V-W-1032	21
R2610-4U	29	R4086-V-22UK	5	R5086-OT-47UK	17	R6409V-W-M6	21
R2680-2U	100	R4086-V-32UK	5	R5086-V-22UK	6	R6409W-1032	21
R2680-3U	100	R4086-V-37UK	5	R5086-V-27UK	6	R6409W-M6	21
R2680-4U	100	R4086-V-42UK	5	R5086-V-32UK	6	R6412-1032	21
R2680-5U	100	R4086-V-47UK	5	R5086-V-35UK	6	R6412-M6	21
R2681-2U	100	R4088-22UK	7	R5086-V-37UK	6	R6412RHF-1032	26
R2821-SET	109	R4088-32UK	7	R5086-V-42UK	6	R6412RHF-M6	26
R2860-SET	109	R4088-37UK	7	R5086-V-47UK	6	R6412V-1032	21
R28C	12	R4088-42UK	7	R5088-22UK	8	R6412V-M6	21
R28C600	12	R4088-47UK	7	R5088-32UK	8	R6412V-W-1032	21
R32C	12	R4088-V-22UK	7	R5088-37UK	8	R6412V-W-M6	21
R32C600	12	R4088-V-32UK	7	R5088-42UK	8	R6412W-1032	21
R35C	12	R4088-V-37UK	7	R5088-47UK	8	R6412W-M6	21
R35C600	12	R4088-V-42UK	7	R5088-V-22UK	8	R6418-1032	21
R4000-CT-06UK	100	R4088-V-47UK	7	R5088-V-32UK	8	R6418-M6	21
R4000-CT-06UW	100	R4106-22UK	5	R5088-V-37UK	8	R6418RHF-1032	26
R4000-CT-09UK	100	R4106-32UK	5	R5088-V-42UK	8	R6418RHF-M6	26
R4000-CT-09UW	100	R4106-37UK	5	R5088-V-47UK	8	R6418V-1032	21
R4000-CT-12UK	100	R4106-42UK	5	R5106-22UK	6	R6418V-M6	21
R4000-CT-12UW	100	R4106-47UK	5	R5106-27UK	6	R6418V-W-1032	21
R4000-CT-18UK	100	R4106-OT-22UK	16	R5106-32UK	6	R6418V-W-M6	21
R4000-CT-18UW	100	R4106-OT-27UK	16	R5106-35UK	6	R6418W-1032	21
R4000-CT-22UK	100	R4106-OT-32UK	16	R5106-37UK	6	R6418W-M6	21
R4000-CT-22UW	100	R4106-OT-35UK	16	R5106-42UK	6	R6425-12UK	28
R4000-CT-27UK	100	R4106-OT-37UK	16	R5106-47UK	6	R6425-12UW	28
R4000-CT-27UW	100	R4106-OT-42UK	16	R5106-OT-22UK	17	R6425-6UK	28
R4000-CT-32UK	100	R4106-OT-45UK	16	R5106-OT-27UK	17	R6425-6UW	28
R4000-CT-32UW	100	R4106-OT-47UK	16	R5106-OT-32UK	17	R6425-9UK	28
R4000-CT-35UK	100	R4106-SDPK-xxUK	17	R5106-OT-35UK	17	R6425-9UW	28
R4000-CT-35UW	100	R4106-V-22UK	5	R5106-OT-37UK	17	R6425V-12UK	28
R4000-CT-37UK	100	R4106-V-32UK	5	R5106-OT-42UK	17	R6425V-12UW	28
R4000-CT-37UW	100	R4106-V-37UK	5	R5106-OT-45UK	17	R6425V-6UK	28
R4000-CT-42UK	100	R4106-V-42UK	5	R5106-OT-47UK	17	R6425V-6UW	28
R4000-CT-42UW	100	R4106-V-47UK	5	R5106-V-22UK	6	R6425V-9UK	28
R4000-CT-45UK	100	R4108-22UK	7	R5106-V-27UK	6	R6425V-9UW	28
R4000-CT-45UW	100	R4108-32UK	7	R5106-V-32UK	6	R6525-12UK	28
R4000-CT-47UK	100	R4108-37UK	7	R5106-V-35UK	6	R6525-12UW	28
R4000-CT-47UW	100	R4108-42UK	7	R5106-V-37UK	6	R6525-6UK	28
R4000-FT3	90	R4108-47UK	7	R5106-V-42UK	6	R6525-6UW	28
R4000-FT4	90	R4108-V-22UK	7	R5106-V-47UK	6	R6525-9UK	28
R4000-FT6	90	R4108-V-32UK	7	R5108-22UK	8	R6525-9UW	28
R4006-BGD-xxUK	5	R4108-V-37UK	7	R5108-32UK	8	R6525V-12UK	28
R4006-PFD-xxUK	5	R4108-V-42UK	7	R5108-37UK	8	R6525V-12UW	28
R4006-VFD-xxUK	5	R4108-V-47UK	7	R5108-42UK	8	R6525V-6UK	28
R4008-BGD-xxUK	8	R5066-18UK	6	R5108-47UK	8	R6525V-6UW	28
R4008-PFD-xxUK	8	R5066-22UK	6	R5108-V-22UK	8	R6525V-9UK	28
R4008-VFD-xxUK	8	R5066-27UK	6	R5108-V-32UK	8	R6525V-9UW	28
R4066-18UK	5	R5066-32UK	6	R5108-V-37UK	8	R6606-1032	23
R4066-22UK	5	R5066-35UK	6	R5108-V-42UK	8	R6606-M6	23
R4066-32UK	5	R5066-37UK	6	R5108-V-47UK	8	R6606V-1032	23
R4066-37UK	5	R5066-42UK	6	R6025-1032-12U	27	R6606V-M6	23
R4066-42UK	5	R5066-47UK	6	R6025-1032-6U	27	R6606V-W-1032	23
R4066-47UK	5	R5066-OT-18UK	17	R6025-1032-9U	27	R6606V-W-M6	23
R4066-OT-18UK	16	R5066-OT-22UK	17	R6025-M6-12U	27	R6606W-1032	23
R4066-OT-22UK	16	R5066-OT-27UK	17	R6025-M6-6U	27	R6606W-M6	23
R4066-OT-27UK	16	R5066-OT-32UK	17	R6025-M6-9U	27	R6609-1032	23
R4066-OT-32UK	16	R5066-OT-35UK	17	R6225-10UK	27	R6609-M6	23
R4066-OT-35UK	16	R5066-OT-37UK	17	R6225-12UK	27	R6609V-1032	23
R4066-OT-37UK	16	R5066-OT-42UK	17	R6225-4UK	27	R6609V-M6	23
R4066-OT-42UK	16	R5066-OT-45UK	17	R6225-6UK	27	R6609V-W-1032	23
R4066-OT-45UK	16	R5066-OT-47UK	17	R6225-8UK	27	R6609V-W-M6	23
R4066-OT-47UK	16	R5066-V-18UK	6	R64/R66-SCREW-PACK	112	R6609W-1032	23
R4066-SDPK-xxUK	16	R5066-V-22UK	6	R6400-RHF-12U	26	R6609W-M6	23
R4066-V-18UK	5	R5066-V-27UK	6	R6400-RHF-18U	26	R6612-1032	23
R4066-V-22UK	5	R5066-V-32UK	6	R6400-RHF-6U	26	R6612-M6	23
R4066-V-32UK	5	R5066-V-35UK	6	R6400-RHF-9U	26	R6612V-1032	23
R4066-V-37UK	5	R5066-V-37UK	6	R6400-SIDELOCK	21	R6612V-M6	23
R4066-V-42UK	5	R5066-V-42UK	6	R6406-1032	21	R6612V-W-1032	23
R4066-V-47UK	5	R5066-V-47UK	6	R6406-M6	21	R6612V-W-M6	23
R4086-22UK	5	R5086-22UK	6	R6406RHF-1032	26	R6612W-1032	23

Index

PartNo	Page	PartNo	Page	PartNo	Page	PartNo	Page
R6612W-M6	23	R8460/28	11	R8820/24	36	S1045	111
R6618-1032	23	R8460/35	11	R8820/26	36	S1045K	111
R6618-M6	23	R8470	11	R8820/28	36	S1170	112
R6618V-1032	23	R8480	11	R8820/30	36	S1170/M5	112
R6618V-M6	23	R8480/HD	11	R8820/32	36	S1172	112
R6618V-W-1032	23	R8490	11	R8820/xx	35	S1940	111
R6618V-W-M6	23	R8500-06	10	R8830-14	36	S1941	111
R6618W-1032	23	R8500-08	10	R8830-16	36	SM5/HP	110
R6618W-M6	23	R8500-10	10	R8830-18	36	SM6/HP	110
R8010	14	R8500-12	10	R8830-20	36	SM6/HP/WA	110
R8200-16/10UK	18	R8500-16	10	R8830-22	36	SM6/HP/WA/100	111
R8200-16/12UK	18	R8500-20	10	R8830-24	36	SRK-390	60
R8200-16/15UK	18	R8500-24	10	R8830-26	36	SRK-500	60
R8200-16/16UK	18	R8500-28	10	R8830-28	36	SRK-560	60
R8200-16/18UK	18	R8500-35	10	R8830-29	36	SRK-600	60
R8200-16/22UK	18	R8600-250-1U	31	R8830-30	36	SRK-800	60
R8200-16/24UK	18	R8600-250-1U-K	31	R8830-32	36	SX1100	112
R8200-16/28UK	18	R8600-250-2U	31	R8840/10	60	T1513/200	99
R8200-16/30UK	18	R8600-250-2U-K	31	R8840/14	60	T1513/200B	99
R8200-16/33UK	18	R8600-250-3U	31	R8840/16	60	T1513/200G	99
R8200-16/35UK	18	R8600-250-3U-K	31	R8840/18	60	T1513/200R	99
R8200-16/39UK	18	R8600-250-4U	31	R8840/22	60	T1513/200Y	99
R8200-16/43UK	18	R8600-250-4U-K	31	R8840/26	60	T1513/300	99
R8200-16/8UK	18	R8600-300-2UNO	33	R8840/30	60	T1513/300B	99
R8200-20/10UK	18	R8600-300-2UTW	33	R8850	35	T1513/300G	99
R8200-20/12UK	18	R8600-300-3UNO	33	R8851	35	T1513/300R	99
R8200-20/16UK	18	R8600-300-3UTW	33	R8856	35	T1513/300Y	99
R8200-20/18UK	18	R8600-300-4UNO	33	R8860/200	36	T1525/09	98
R8200-20/20UK	18	R8600-300-4UTW	33	R8860/50	36	T1525/11	98
R8200-20/22UK	18	R8600-450-12U	31	R8860/90	36	T1525/14	98
R8200-20/24UK	18	R8600-450-12U-K	31	R8870/100	36	T1525/18	98
R8200-20/28UK	18	R8600-450-16U	31	R8870/200	36	T1550/09	98
R8200-20/30UK	18	R8600-450-16U-K	31	R8890	35	T1550/14	98
R8200-20/32UK	18	R8600-450-18U-K	31	R8892	35	T1550/18	98
R8200-20/33UK	18	R8600-450-4U	31	RADM-23	95	T1550/24	98
R8200-20/34UK	18	R8600-450-4U-K	31	RADM-23C	95	T1550/32	98
R8200-20/35UK	18	R8600-450-6U	31	RCB-600	13	T1560-700	98
R8200-20/39UK	18	R8600-450-6U-K	31	RCB-600B	13	U5200	111
R8200-20/40UK	18	R8600-450-8U	31	RCBWR	13	U5200Z	111
R8200-20/43UK	18	R8600-450-8U-K	31	RD06C	13	U5205	111
R8210/16	19	R8600-500-12UNO	33	RD08C	29	U5215	112
R8210/20	19	R8600-500-12UTW	33	RD12C	13	VDWR02	30
R8220/16	19	R8600-500-4UNO	33	RD16C	13	VDWR04	30
R8220/20	19	R8600-500-4UTW	33	RD20C	13	VDWRMX	30
R8230-SP15	20	R8600-500-6UNO	33	RD24C	13	Vulcan	37
R8230-SP20	20	R8600-500-6UTW	33	RD28C	13	W0950Z	107
R8230-TB	20	R8600-500-8UNO	33	RD32C	13	WB-AMAZON-FB	106
R8250/16	19	R8600-500-8UTW	33	RD35C	13	WB-AMAZON-FB-W	106
R8250/20	19	R8600-CZD12-FW	32	RJD1112-0050	157	WB-ATVG4	106
R8251/20	19	R8600-CZD12S	32	RJD1212-0050	157	WB-ATVG4-W	106
R8252/16	19	R8600-CZD16-FW	32	RJD2103-0050	158	WB-SKYQ2TB-K	106
R8252/20	19	R8600-CZD16S	32	RJD2203-0050	158	WB-SKYQ2TB-W	106
R8253/20	19	R8600-CZD18-FW	32	RJD32A3-0050	158	WB-SKYQ-K	106
R8290	19	R8600-CZD4-FW	32	RJD32U1-0050	158	WB-SKYQMB-B	106
R8292	19	R8600-CZD4S	32	RMS1	107	WB-SKYQMB-W	106
R8293	19	R8600-CZD6-FW	32	RP06	13	WB-SKYQ-W	106
R8295	107	R8600-CZD6S	32	RP08	13	WB-SONAMP-K	106
R8298	19	R8600-CZD8-FW	32	RP12	13	WB-SONAMP-W	106
R8400-06	10	R8600-CZD8S	32	RP550-06U	20	WB-ZP120-B	106
R8400-08	10	R8735-2U	34	RP550-12U	20	WB-ZP120-W	106
R8400-10	10	R8735-4U	34	RP550-16U	20	WB-ZP90-B	106
R8400-12	10	R8735-6U	34	RP550-24U	20	WB-ZP90-W	106
R8400-12-300K	10	R8735-8U	34	RSU01	52	WCR04-600	32
R8400-16	10	R8745-2U	34	RSU01-600	52	WCR12-600	32
R8400-20	10	R8745-4U	34	RSU02	52	WCR16-600	32
R8400-24	10	R8745-6U	34	RSU02-600	52	WMK0608	12
R8400-28	10	R8745-8U	34	RSU03	52	WMK1216	12
R8400-35	10	R8751-2U	34	RSU03-600	52	WMKCZ	31
R8450/06	11	R8751-4U	34	RWB-1032-08UCM	30	WMR06-300	29
R8450/08	11	R8751-6U	34	RWB-1032-08UK	30	WMR08-300	29
R8450/10	11	R8751-8U	34	RWB-1032-12UCM	30	WMR12-300	29
R8450/12	11	R8755-15U	34	RWB-1032-12UK	30	WMR16-300	29
R8450/16	11	R8755-2U	34	RWB-1032-16UCM	30	WR06	32
R8450/20	11	R8755-4U	34	RWB-1032-16UK	30	WR08	32
R8450/24	11	R8755-6U	34	RWB-M6-08UCM	30	WR12	32
R8450/28	11	R8755-8U	34	RWB-M6-08UK	30	WR16	32
R8450/35	11	R8800/20	35	RWB-M6-12UCM	30	WR20	32
R8460/06	11	R8800/80	35	RWB-M6-12UK	30	WR24	32
R8460/08	11	R8800/70	35	RWB-M6-16UCM	30	WR28	32
R8460/10	11	R8820/14	36	RWB-M6-16UK	30	XFiller	9
R8460/12	11	R8820/16	36	S1025	112		
R8460/16	11	R8820/18	36	S1032/HP	110		
R8460/20	11	R8820/20	36	S1032/HP/WA	110		
R8460/24	11	R8820/22	36	S1032/HP/WA/100	111		

Penn Elcom Group:

Penn Elcom is a global manufacturer of flight case and cabinet hardware as well as 19-inch racking systems with a wholly owned distribution network of 21 depots over 5 continents.



AUSTRALIA

PENN ELCOM LTD.
15 SILICON PLACE
TULLAMARINE
VICTORIA
TEL: +6139 335 6455
E-MAIL: australia@penn-elcom.com



CHILE

COMERCIAL E IMPORTADORA PENN ELCOM
COTAPOS NO. 1387-A
INDEPENDENCIA
SANTIAGO
TEL: (+56-2) 7320212
E-MAIL: chile@penn-elcom.com



**CHINA
DONGGUAN**

PENN ELCOM
YUQUAN INDUSTRIAL AREA
FENGGANG TOWN
DONGGUAN CITY
GUANGDONG PROVINCE 523681
TEL: +86 (0) 769-86803388
E-MAIL: sales@penn-elcom.cn



COLOMBIA

PENN ELCOM DE COLOMBIA S.A.S.
AVENIDA CARRERA 106 #15A - 25, BODEGA 4
MANZANA 4, CARRERA 3A, LOTE 11
ZONA FRANCA BOGOTA
BOGOTÁ
TEL: +57 (1) 743 8617
E-MAIL: colombia@penn-elcom.com



HONG KONG

PENN ELCOM HK Ltd.
Room 17, 7/F
MING SANG INDUSTRIAL BUILDING
21 HING YIP STREET
KWUN TONG, KOWLOON
TEL: (+852) 27908009
E-MAIL: info@penn-elcom.hk



IRELAND

PENN ELCOM IRL LTD
UNIT A JOHNSTOWN LANE
DUN LAOGHAIRE
CO DUBLIN
IRELAND A96 AP52
TEL: +35315558698
E-MAIL: ireland@penn-elcom.com



LEBANON

PENN ELCOM S.A.L
GROUND FLOOR,
HADDAD BUILDING,
FURN EL CHEBBACK,
BEIRUT
TEL: + 961 (0) 1 283319
E-MAIL: info@penn-elcom.com.lb



PERU

PENN ELCOM S.A.C.
CALLE SOLIDARIDAD
MZ D2 LT18 II PARCELA
VILLA EL SALVADOR
LIMA
TEL: +51-1-287-6850
E-MAIL: peru@penn-elcom.com



**U.K.
EAST SUSSEX**

PENN ELCOM Ltd.
PHILIPS HOUSE
DRURY LANE, PONSWOOD IND. EST.
ST. LEONARDS-ON-SEA
EAST SUSSEX TN38 9BA
TEL: +44 (0) 1424 722944
E-MAIL: onlineuk@penn-elcom.com



**USA
NEW JERSEY**

PENN ELCOM INC
232 WEST PARKWAY
POMPTON PLAINS
NEW JERSEY 07444
TEL: +1 973 839 7777
ORDERS: 800 446 7174 (within USA)
E-MAIL: new_jersey@penn-elcom.com



USA

AUSTIN TEXAS

PENN ELCOM ONLINE
8204 NORTH LAMAR, SUITE B15
AUSTIN
TEXAS 78753
TEL: +1 844 407 5188
TEL: +1 512 992 0383
E-MAIL: onlineusa@penn-elcom.com



ARGENTINA

PENN ELCOM S.R.L.
CALLE 12 DE OCTUBRE, 743
CIUDAD DE AVELLANEDA
BUENOS AIRES
TEL: +54 11 4201 5790
E-MAIL: argentina@penn-elcom.com



CANADA

PENN ELCOM
2020 HALFORD DRIVE
WINDSOR
ONTARIO N9A 6J3
TEL: +1 519 737 9494
ORDERS: 888 736 6322 (within Canada)
E-MAIL: canada@penn-elcom.com



**CHINA
TIANJIN**

PENN ELCOM
HUANG ZHUANG INDUSTRIAL AREA
WEST SIDE OF 104 ROAD
WUQING DISTRICT
TIANJIN CITY
TEL: +86-22-22145132
E-MAIL: sales@penn-elcom.cn



EUROPE

PENN ELCOM GMBH
GROENLANDSTR. 2
DE-46446 EMMERICH-ELTEN
GERMANY
TEL: +49 2828 3130100
E-MAIL: post.eu@penn-elcom.com



INDIA

PENN ELCOM PVT LTD
U5/4 GREEN INDUSTRIAL PARK
DONGRIPADA, KAMAN BHIWANDI ROAD
POMAN, VASAI EAST
MAHARASHTRA 401208
TEL: +91-9869119110
E-MAIL: india@penn-elcom.com



JAPAN

PENN FABRICATION
128-2 CHOME FUJIHASHI
OME-SH1
TOKYO
TEL: 428 32 5690
E-MAIL: info@penn-fab.jp
WEB: www.penn-fab.jp



MALAYSIA

PENN ELCOM SDN.BHD
NO15, JALAN MERANTI PUCHONG
D25 MERANTI PUCHONG
47120 PUCHONG
SELANGOR
TEL: +60 3 8052 7967
E-MAIL: sales@penn-elcom.my



**U.K.
TYNE & WEAR**

PENN ELCOM Ltd.
9-10, PARSONS ROAD,
PARSONS INDUSTRIAL ESTATE,
WASHINGTON
TYNE & WEAR NE37 1HB
TEL: +44 (0) 191 416 1717
E-MAIL: info@penn-elcom.com



**USA
CALIFORNIA**

PENN ELCOM INC
7465 LAMPSON AVE
GARDEN GROVE
CALIFORNIA 92841
TEL: +1 714 230 6200
ORDERS: 800 228 9122 (within USA)
E-MAIL: california@penn-elcom.com



**USA
HOUSTON TEXAS**

PENN ELCOM INC
5609 CAMPBELL ROAD
HOUSTON
TEXAS 77041
TEL: +1 281 855 9772
ORDERS: 800 503 8999 (within USA)
E-MAIL: texas@penn-elcom.com

Penn Elcom Online

Buying through Penn Elcom Online will ensure high quality customer service synonymous with the Penn Elcom brand. Should you require any technical support or additional customer service, our extensive network of depots will be available to provide assistance

Penn Elcom maintains extensive stockholdings all over the world. Our large distribution network allows us to offer fast delivery, competitive prices, and a wide range of high-quality products. As the manufacturer for a large proportion of these products, we have extensive knowledge of each component that we can pass on to our customers.

www.pennelcomonline.com

Other Distributors



MEXICO

DIAMANT GROUP WORLD AUDIOC.V.
CALLE MEAVE 21-A, COLONIA CENTRO
DELEGACION CUAUHTEMOC
06080, MEXICO, D.F.
TEL: 01 800 633 83 31
E-MAIL: contancto@diamant.com.mx
WEB: www.diamant.com.mx



MEXICO

SESAMEE MEXICANA S.A. DE C.V.
CIRCUITO DE LA INDUSTRIA NORTE 71
PARQUE INDUSTRIAL LERMA
LERMA, ESTADO DE MEXICO 52000
TEL: 01 728 282 18 78
E-MAIL: direccion.sancher@sesamee.com.mx
WEB: www.sesamee.com.mx



NEW ZEALAND

LIVE SOUND MANUFACTURING LTD
P.O. BOX 68216
34C CRUMMER ROAD
GREY LYNN, AUCKLAND
TEL: +649 378-0542
E-MAIL: john@livesound.co.nz
WEB: www.livesound.co.nz



SWEDEN

HOLMBERG CASES SWEDEN AB
FÖRETAGSVÄGEN 1
953.33 HAPARANDA
TEL: 0046 92214640
E-MAIL: info@hbc.se
WEB: www.hbc.se



SWEDEN

JOA BESLAG AB
GRÄBO INDUSTRIVÄG 3
S-443 40 GRÄBO
TEL: 0046 302 45300
E-MAIL: info@joabeslag.se
WEB: www.joabeslag.se



UKRAINE

UMKA-1 Ltd.
AP.3
37 YRKOVSKAYA
UA-04080 KIEV
TEL: 0038 0444 517 530
E-MAIL: pennelcom.kiev@gmail.com

We manufacture flight case and speaker cabinet hardware as well as rack enclosures and accessories. We have manufacturing facilities in England, China, Mexico and Canada and are looking for distributors all over the world to help us expand our market.

Fabricamos accesorios para Flight-cases y altavoces tanto como gamas extendidas den 19 pulgadas como racks; servidores y caratulas. Tenemos fabricas en Inglaterra, en China, en Mexico y Canadá. Buscamos a distribuidores en todo el mundo para ayudarnos a extender nuestros mercados.

Nous fabriquons des accessoires pour flight-cases et haut-parleurs ainsi que des armoires rack 19 pouces et accessoires. Nous avons des usines en Angleterre, en Chine, au Mexique et au Canada et recherchons des distributeurs partout dans le monde pour nous aider à élargir nos marchés.

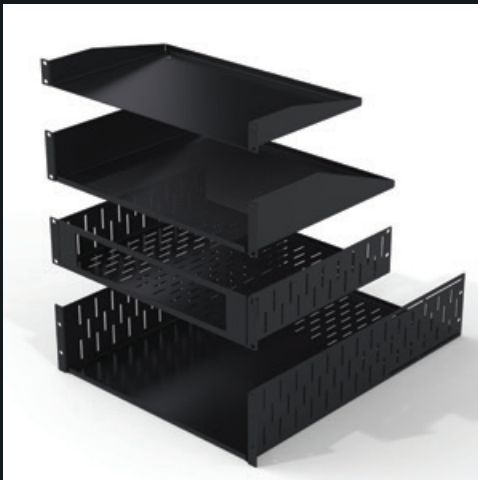
我们是一家专业生产航空箱配件, 音响配件及机柜配件的全球性企业。我们的工厂遍及英国, 中国, 墨西哥, 加拿大等地。同时我们也在诚挚地寻求世界各地有意向的经销商和我们一起拓展市场。

Wir sind Hersteller von Flightcase- und Lautsprecherboxen-Hardware sowie von Rackgehäusen und Zubehör. Wir haben Herstellungsbetriebe in England, China, Mexiko und Kanada und suchen weltweit weitere Distributoren, die uns helfen, den Markt weiter auszubauen.

نصنع صناديق للسفر وصناديق مكبرات الصوت وحملات رفوف 19" والأكسسوارات الخاصة بها. لدينا منشآت تصنيع في انكلترا، الصين، المكسيك و كندا ونبحث عن موزعين لجميع أنحاء العالم لمساعدتنا على توسيع أسواقنا

Мы производим оборудование для дорожных кейсов, корпусов колонок, а также рэки, кейсы и другие аксессуары. Наши производства расположены в Англии, Китае, Мексике и Канаде, и мы находимся в поиске дистрибьютеров по всему миру для расширения рынка сбыта.

19 INCH RACK ENCLOSURES & ACCESSORIES



19 INCH RACK ENCLOSURES & ACCESSORIES