

Part Number: DUM-5246L-R



Features

- Unidirectional
- Super clarity, distortion-free response
- Available with lead wire type mounting
- This part is RoHS 2002/95/EC Compliant

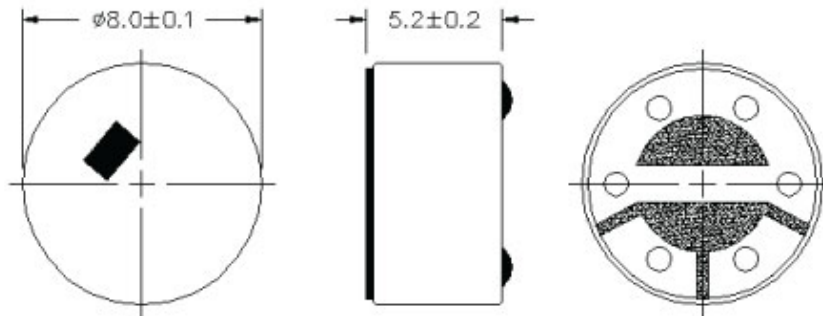
Electrical Specifications

- | | |
|-------------------|----------------|
| Directivity | Unidirectional |
| Impedance | 2.2 kOhm |
| Operating Voltage | 2 Vdc |
| Package Size | 8 x 5.2 mm |
| Sensitivity | -46 +/- 3 dB |

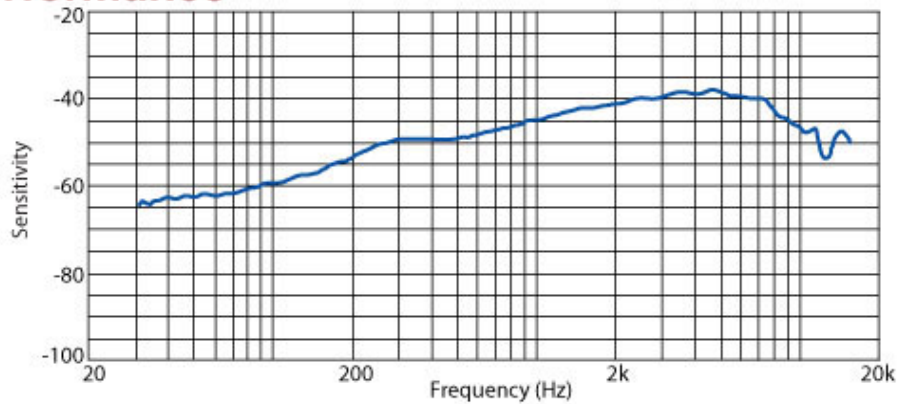
Environmentally friendly

Mechanical

Dimensions are in millimeters, tolerance is ± 0.5 unless otherwise specified.



Performance



For application notes and detail drawing specifications, please consult www.projectsunlimited.com.

Specifications subject to change without notice.

© 2006, Projects Unlimited Inc., All Rights Reserved.