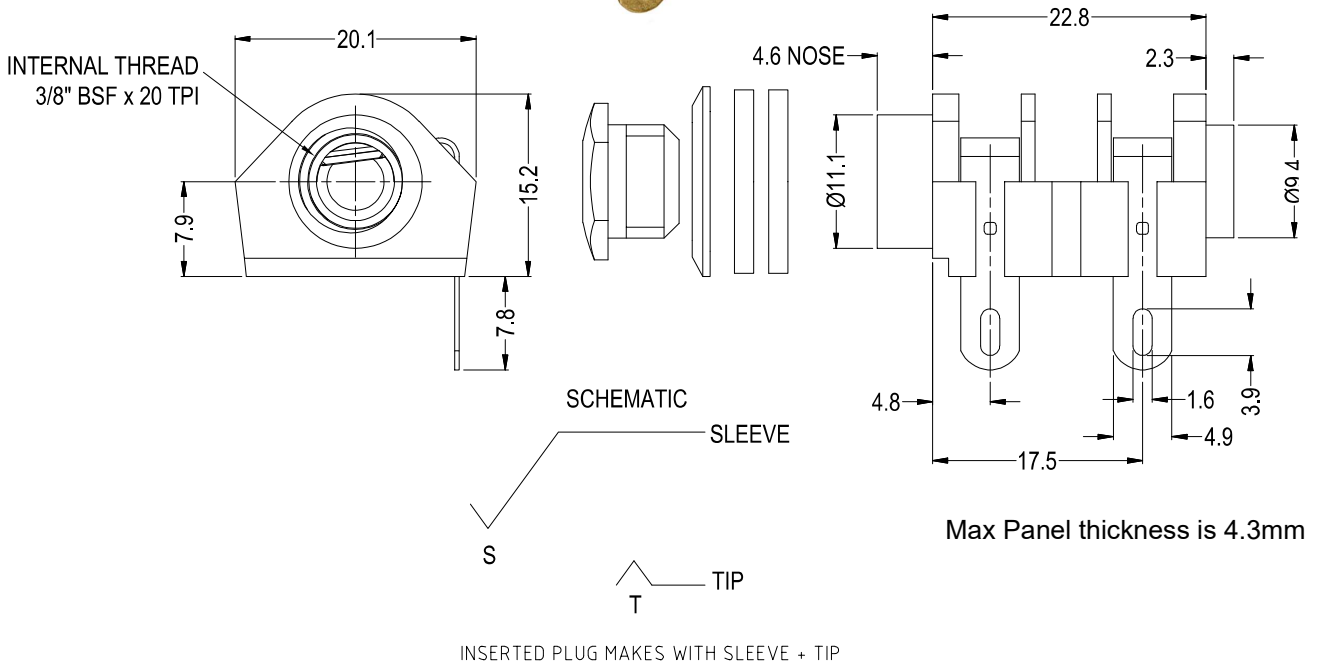




1/4" JACK SOCKET CL12821A



CL12821A - S4/SNS Mono Jack Socket, Solder Tag. Assembled.

General Specification

Withstand voltage: 2000V DC minimum.

Maximum current: 5 amps.

Temperature rating: -10°C to +70°C.

Life: Minimum 10,000+ operations.

Nominal contact resistance: < 50mΩ.