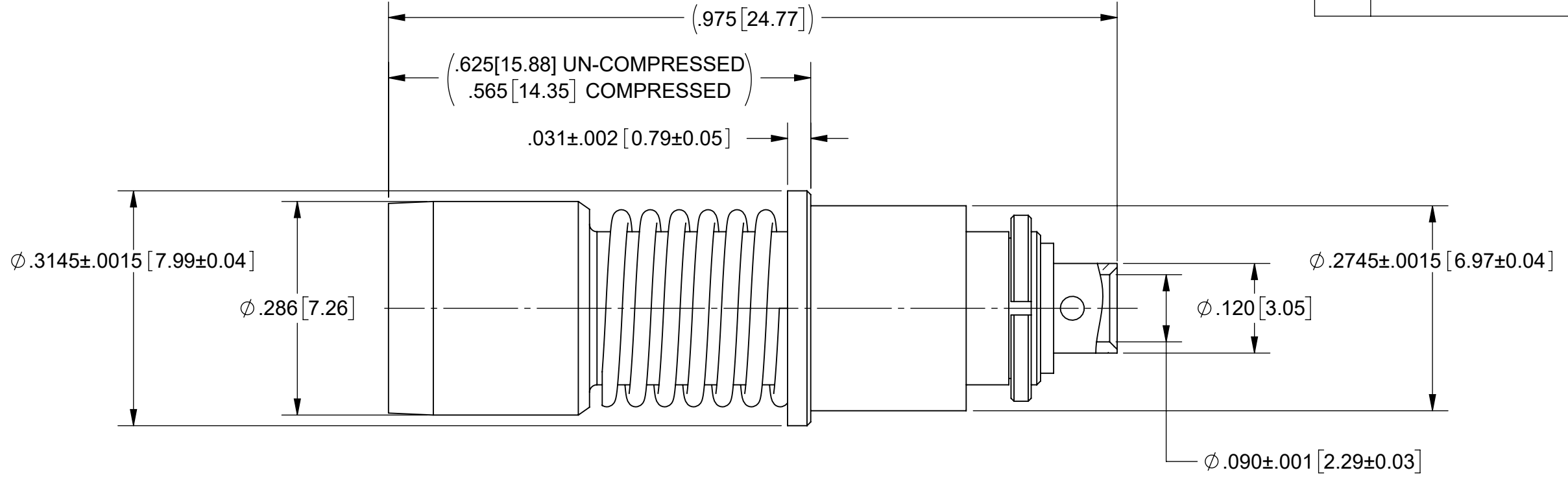


| REVISION HISTORY | | | |
|------------------|----------------|----------|----------|
| REV | DESCRIPTION | DATE | APPROVED |
| - | REL. DCN 52320 | 02/14/23 | SEE PDM |
| A | REV. DCN 52411 | 11/29/23 | |



MATERIAL:

BODY & SLEEVE: STAINLESS STEEL PER AMS-5640, ALLOY UNS S30300, TYPE 1 OR ASTM A582, TYPE 303, CONDITION A.

CONTACT, FERRULE & LOCK RING: BERYLLIUM COPPER PER ASTM B196, ALLOY No. UNS C17300, TD04.

INSULATOR: PTFE PER ASTM D1710, TYPE I, GRADE 1, CLASS B

SPRING: STAINLESS STEEL PER ASTM A313, TYPE 631, ALLOY No. UNS 17700.

FINISH:

BODY, SPRING & SLEEVE: PASSIVATED PER AMS 2700.

CONTACT & FERRULE: GOLD PER ASTM B488, TYPE II, CODE C, CLASS 1.27 OVER NICKEL PER AMS-QQ-N-290, CLASS 1, .000050" MIN.

LOCK RING: NICKEL PER AMS-QQ-N-290, CLASS 1, GRADE G.

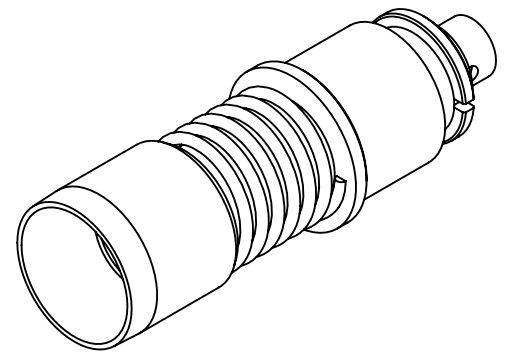
PERFORMANCE:


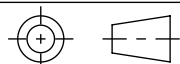
IMPEDANCE: 50 OHMS

FREQ. RANGE: DC TO 22 GHz

VSWR: 1.40:1 MAX GATED, MATED PAIR DC TO 22 GHz

CONFORMS TO SOSA TECHNICAL STANDARD V2.0.



| | | | |
|--|--|--|--|
| MATERIAL: SEE NOTES | DIMENSIONS ARE IN INCHES TOLERANCES: FRACTIONAL: ±1/64 ANGULAR: X° ±1'0" X°X' ±15' | UNLESS OTHERWISE SPECIFIED 1) ALL DIMENSIONS ARE IN INCHES (MILLIMETERS) 2) ALL DIMENSIONS ARE AFTER PLATING. 3) BREAK CORNERS & EDGES .005 R. MAX. 4) CHAM. 1ST & LAST THREADS. 5) SURFACE ROUGHNESS 63-MIL-STD-10. 6) DIA: 'S ON COMMON CENTERS TO BE CONCENTRIC WITHIN .005 T.I.R. 7) REMOVE ALL BURRS |  Amphenol SV MICROWAVE www.svmicrowave.com |
| FINISH: SEE NOTES | DECIMAL: X ±.030 .XX ±.010 .XXX ±.005 | INTERPRET DIMENSIONS AND TOLERANCES PER ASME Y14.5M - 1994 | |
| SURFACE AREA: N/A | THIRD ANGLE PROJECTION | DRAWN: JMC 02/14/23 | TITLE: BMB SIZE 8 SOCKET CONTACT 38999 & SOSA V2.0 RG405 CABLE |
| PROPRIETARY THE INFORMATION CONTAINED IN THIS DRAWING IS THE SOLE PROPERTY OF SV MICROWAVE, INC. ANY REPRODUCTION IN PART OR AS A WHOLE WITHOUT THE WRITTEN PERMISSION OF SV MICROWAVE, INC IS PROHIBITED. |  | CHECKED: SEE PDM | SIZE DWG. NO. B 4951-60005 |
| | | APPROVED: SEE PDM | SCALE: 6:1 SHEET 1 OF 1 |