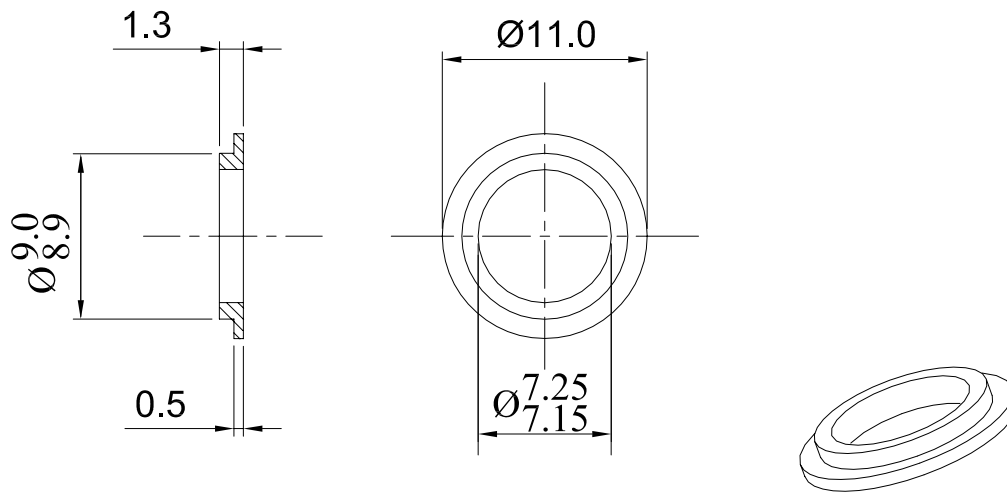


An insulating washer to be used in conjunction with Professional Panel Socket (431/432 range) It enables the socket to be isolated from the panel to which it is mounted.

To obtain full isolation or a floating ground socket, A colour coding washer must be used as well.

**MATERIAL**  
Acetal C27021R  
White

### Dimensions



CONVERTED FROM PS0843 ISS1 (08.03.96) IN NOV 2003

DrgNo 434-0000		TITLE ISOLATING WASHER			ALL DIMENSIONS IN MM ANGLES IN DECIMAL DEGREES	
<b>DELTRON</b> Components	ISSUE 1	GENERAL SPECIFICATION FOR 434-0000		CUSTOMER FILTER REF		
		Aprvd Date 20/11/03	Aprvd By BS	Drwn by BS	Scale: NTS	Sheet 1 / 1