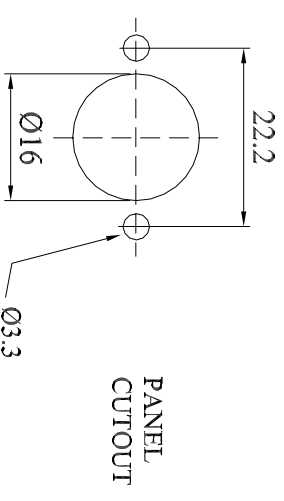
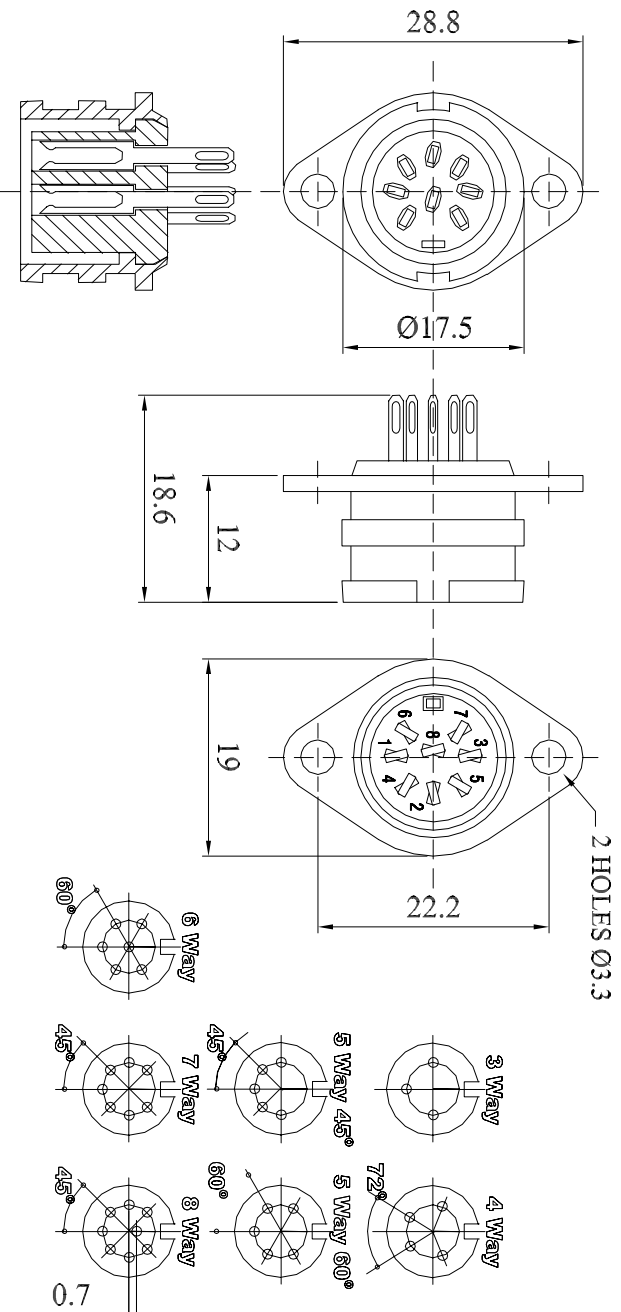


A range of professional chassis mounting sockets, designed for panel mounting via two flange fixing screws. These sockets mate with all standard DIN plugs, but are specifically designed for the Ring Lock Plug Range (592 SERIES), with a quick and simple quarter-turn of the locking ring to secure the plug in place. Can be colour coded via an interchangeable plastic ring, available in six colours.

**MATERIALS**  
**HOUSING**  
**MOULDING**  
**CONTACTS**

: Mazak,  
 Bright Nickel Plated  
 : NORYL SE1  
 : Brass,  
 Silver Plated

## Dimensions



Type	Deltron No
3 Way	593-0300
4 Way	593-0400
5 Way 45°	593-0500
5 Way 60°	593-0510
6 Way	593-0600
7 Way	593-0700
8 Way	593-0800

CONVERTED FROM PS0810 ISS3 (19.06.96) IN JAN 2003

DrngNo 593 SERIES TITLE RING LOCK DIN CONNECTORS CHASSIS SOCKET

ALL DIMENSIONS IN MM  
 ANGLES IN DECIMAL DEGREES



**DELTRON Components**

ES 3

GENERAL SPECIFICATION  
 FOR 593 SERIES

CUSTOMER

FILTER REF

Aprvd Date 10/02/03

Aprvd By MC

Drwn by BFS

Scale: NTS

Sheet 1 / 1