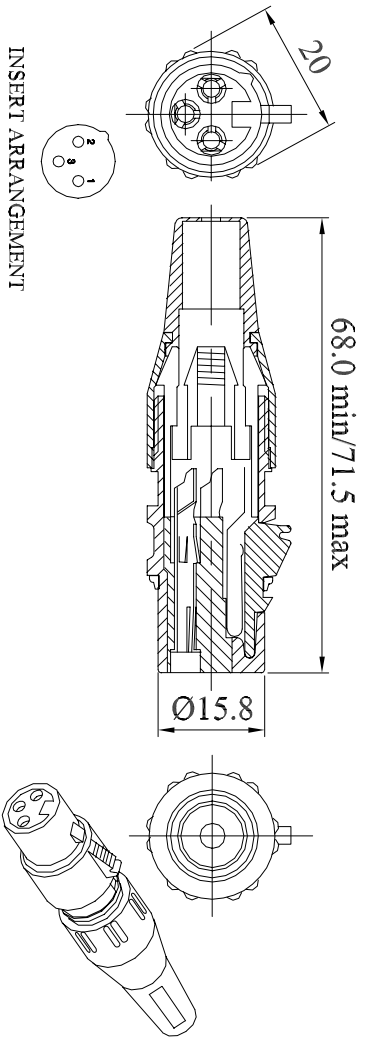


A range of audio and video connectors incorporating many innovative features. Assembled and disassembly is screwless and is achieved by a few quick turns of the back shell.

- A single piece latch which is simple to operate, mating smoothly with both lockable and non-latching connectors.
- The strain relief collet ensures a positive cable grip.
- Pressed socket contacts which 'float' to assist 'wrap-round' contact with the pin, since they can 'move' with the pins should any movement occur between mating connectors.
- A range of coloured plastic coding rings, each with a single number moulded in, offering a quick and easy system of channel identification.
- Internal design feature allow for a quick and simple insert assembly.

(Note: these connectors are not to be used for mains applications.)

Dimensions



Deltron Part No	Silver Contacts		Gold Contacts	
	Nickel	Black	Nickel	Black
3-Way	800-0300	804-0300	802-0300	806-0300

Mechanical Properties	Chuck and screw collar
Cable retention	Ø 2.8mm to Ø 8.0mm
Cable range	Zinc high pressure diecasting
Housing	satin nickel or black chrome
Contact base	Valox DR48
Contacts	Phos bronze (pressed), 3 microns silver
Latch	Anti-tarnish finish, of 0.5 microns gold
Strain Relief	Zinc high pressure diecasting
Sealing ring	satin nickel or black chrome
Chuck	P.V.C. (black)
Screw collar	Santoprene (UL 94 HB)
Screen	Acetal (UL 94 HB)
Interchangeable	Polycarbonate, 10% glass-filled
Connector ident	Lexan, black
Ident options	Spring Steel, 3 microns silver
Operating Temp	anti-tarnish
Insertion force	Spring on coloured rings
Withdrawal force	Acetal (UL 94 HB)
Min No. insertions	Black, Brown, Red, Orange, Yellow, Green, Blue, Violet, Grey, White
Electrical Properties	-30°C to +80°C
Number of contacts	20N
Rated current per contact	10N
Maximum wire size (solid)	5000
Cap. Between contacts	3
Rated voltage	16 Amps
Test voltage	10 AWG
Contact resistance	6.0 mm ²
Insulation resistance	4 pF
	250 Volts ac
	1500 Volts ac
	3m Ω
	1G Ω

CONVERTED FROM PS857 ISS2 (13.09.96) IN JAN 2003

Drgn No 800-804-802-806 TITLE PROFESSIONAL QUALITY - CABLE SOCKET

ALL DIMENSIONS IN MM ANGLES IN DECIMAL DEGREES



GENERAL SPECIFICATION FOR MULTIPOLE CONNECTOR

CUSTOMER

FILTER REF

Scale: NTS Sheet 1 / 1