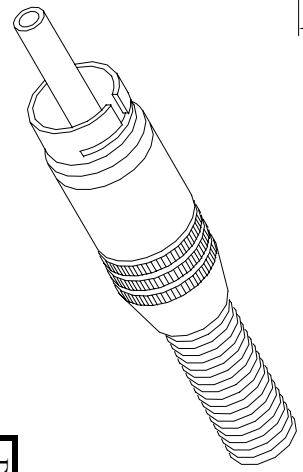
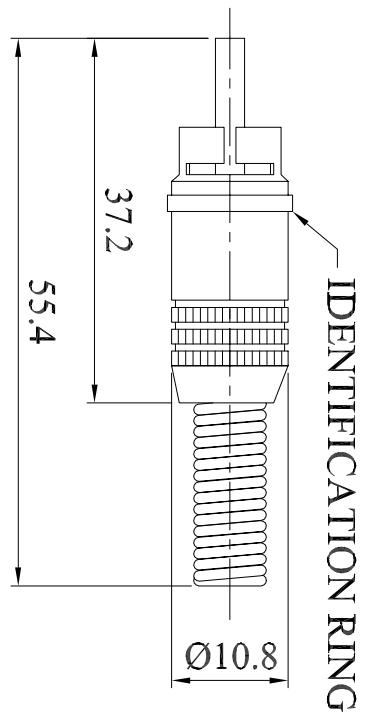


A range of high quality UK manufactured phono plugs made from machined brass with various plating options.

- Centre contact available in hollow tube.
- Ground contact with unique 'T' shape slot for maximum contact area.
- Internal cable clamp for secure cable connection.
- Spring strain relief.
- Colour coded ID rings for easy cable identification.
- Attractive body styling.
- Maximum cable size 5.5mm

Rating – 5A at 200 Vdc/150 Vac max.  
 Insulation resistance – 100M  $\Omega$  at 500 Vdc

**Dimensions**



<b>Material</b>	
Centre contact	: Brass, flash gold plated
Ground contact	: Brass, flash gold plated
Insulation	: Noryl SE1
Cable clamp	: Brass, flash gold plated
Spring	: Spring steel, flash gold plated
Cap	: Brass, flash gold plated

Deltron Part No.	Description
331-0000	FLASH GOLD PLATED
331-0100	FLASH GOLD PLATED (BLACK ID RING)
331-0200	FLASH GOLD PLATED (BLUE ID RING)
331-0500	FLASH GOLD PLATED (RED ID RING)
331-0600	FLASH GOLD PLATED (WHITE ID RING)
331-0700	FLASH GOLD PLATED (YELLOW ID RING)

CONVERTED FROM PS0355 ISS2 (04.01.94) IN JAN 2003

Drgn No 331 SERIES TITLE PROFESSIONAL PHONO LINE PLUG

ALL DIMENSIONS IN MM  
 ANGLES IN DECIMAL DEGREES



GENERAL SPECIFICATION FOR 331 SERIES

CUSTOMER FILTER REF

Scale: NTS Sheet 1 / 1

