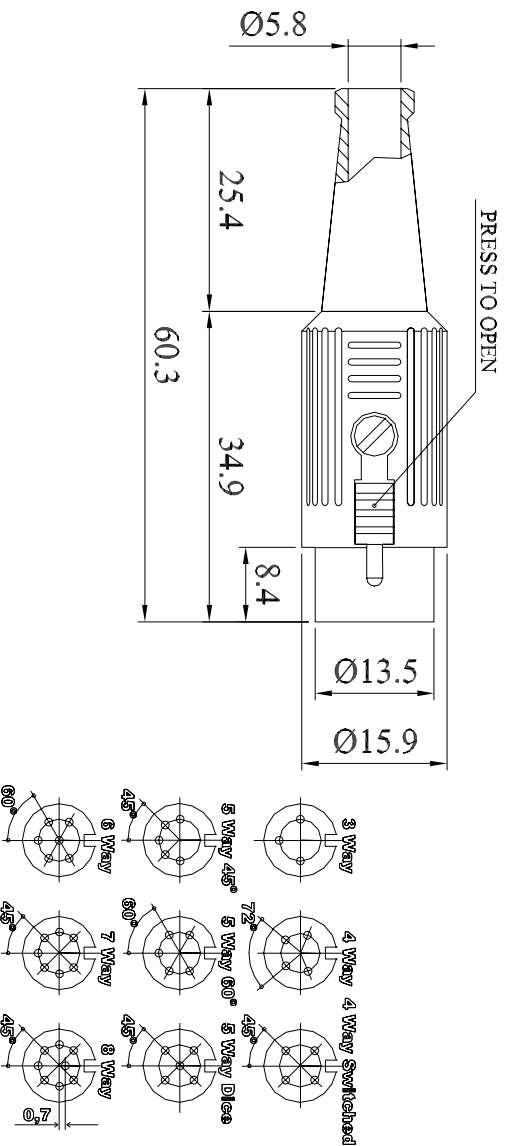


A fully screened robust range of DIN connectors for use in instrumentation and audio applications. Available in two finishes; bright nickel and non-reflective electrically conductive matt black. Robust construction incorporating cable grip and strain relief.

Dimensions



Type	Deltron No
3 Way	591-0300
4 Way	591-0400
4 Way Switched	591-0410
5 Way 45°	591-0500
5 Way 60°	591-0510
5 Way 60°	591-0520
6 Way	591-0600
7 Way	591-0700
8 Way	591-0800

MATERIALS HOUSING

: Zinc Alloy, sprayed with matt black conductive paint

MOULDING CONTACTS

: Nylon
: Brass

CABLE CLAMP

: Silver Plated
: Mild Steel
zinc plated

GROMMET

: Black P.V.C.

ELECTRICAL RATINGS

Working Voltage

100 V.d.c. or a.c. peak

Test Voltage

1000 V.d.c.

Insulation Resist.

$10^{11} \Omega$ min at 100 V.d.c.

Current Rating

4 A

Contact Resist.

10 m Ω max

Capacity (mated)

3 pF

Temp. Range

-25°C to +70°C

CONVERTED FROM PS0483 ISS4 (08.07.96) IN JAN 2003

Drgn No 591 SERIES TITLE SCREENED DIN CONNECTOR LOCKABLE PLUG (BLACK)

ALL DIMENSIONS IN MM ANGLES IN DECIMAL DEGREES



DELTRON Components

ES 55 4

GENERAL SPECIFICATION FOR 591 SERIES

CUSTOMER

FILTER REF

Aprvd Date 10/02/03

Aprvd By MC

Drwn by BFS

Scale: NTS

Sheet 1 / 1