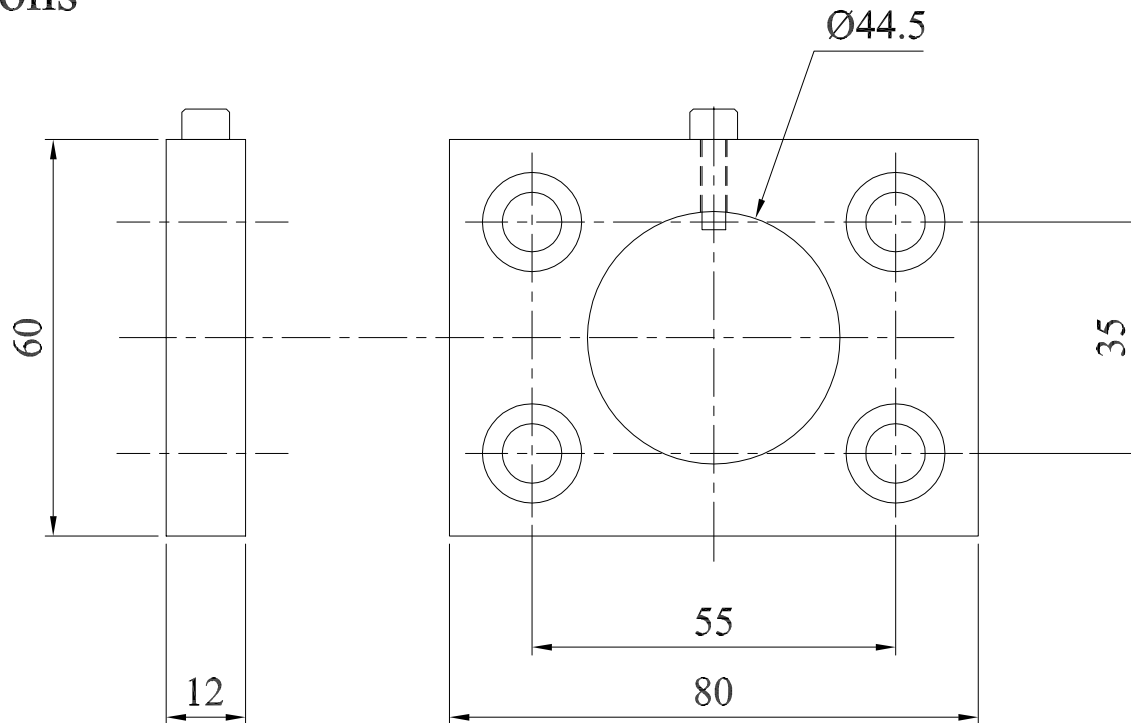


A range of three dieholders is offered which accommodates the full range of circular and square punches and dies.

Dimensions



DrgNo 903-0030

TITLE DIE HOLDER FOR RECTANGULAR AND SQUARE DIES

ALL DIMENSIONS IN MM
ANGLES IN DECIMAL DEGREES



DELTRON Components

ISSUE 1

GENERAL SPECIFICATION
FOR DIE HOLDERS

CUSTOMER

FILTER REF

Aprvd Date 10/02/03

Aprvd By MC

Drwn by BFS

Scale: NTS

Sheet 1 / 1