

593321  
 ~~~~~

4

MAKING MADE IN THIRD ANGLE PROJECTION

THIS DRAWING IS UNPUBLISHED. RELEASED FOR PUBLICATION BY AMP INCORPORATED. ALL INTERNATIONAL RIGHTS RESERVED.

© COPYRIGHT IS

3

19

MOD 4

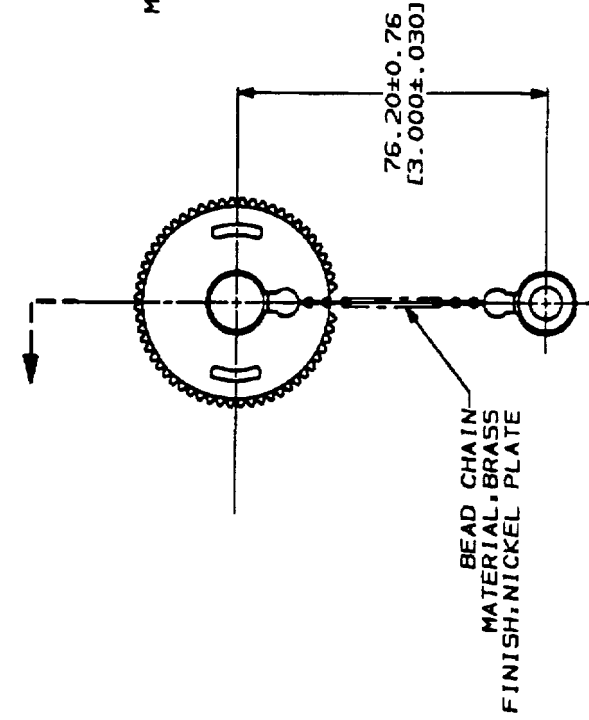
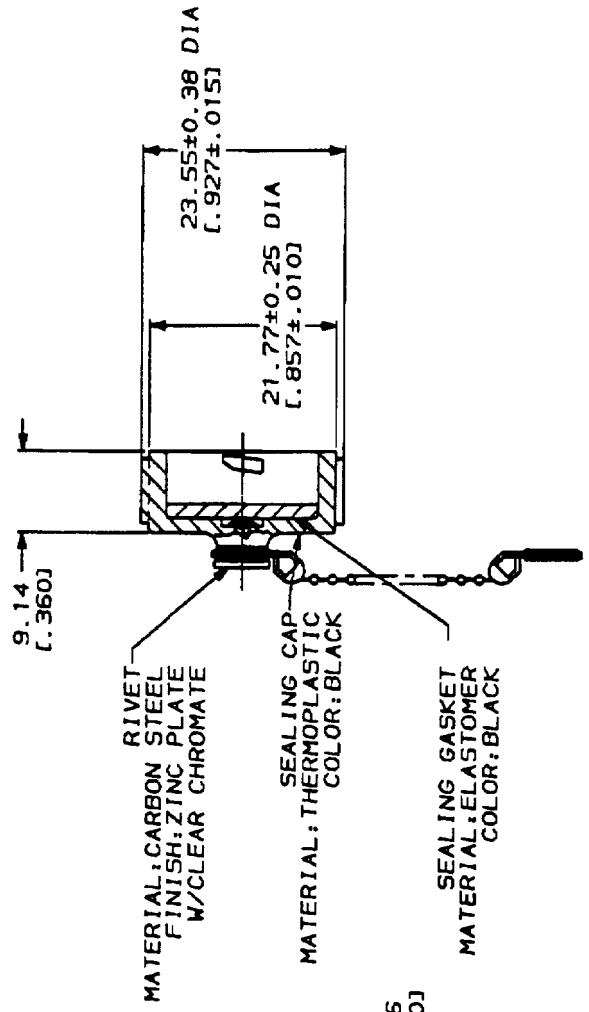
BD 35

REV A

REVISIONS

DESCRIPTION DATE APPD

REDRAWN & REV PER EC 0020-680-93 6-9-93 AF



|                                                                                                                                                                       |       |                                                 |    |
|-----------------------------------------------------------------------------------------------------------------------------------------------------------------------|-------|-------------------------------------------------|----|
| PART NO                                                                                                                                                               |       | 208800-1                                        |    |
| PART NUMBER                                                                                                                                                           |       | 208800-1                                        |    |
| AMP                                                                                                                                                                   |       | AMP Incorporated<br>Harrisburg, PA 17105-3608   |    |
| NAME                                                                                                                                                                  |       | SEALING CAP ASSY, SIZE 11, WITH BEAD CHAIN, CPC |    |
| SIZE                                                                                                                                                                  | QTY   | DATE                                            | BY |
| B                                                                                                                                                                     | 00779 | 6-20-93                                         | AF |
| SCALE                                                                                                                                                                 |       | 2:1                                             |    |
| SHEET                                                                                                                                                                 |       | 1 OF 1                                          |    |
| CUSTOMER DRAWING                                                                                                                                                      |       |                                                 |    |
| FINISH                                                                                                                                                                |       | SEE CALLOUTS                                    |    |
| MATERIAL                                                                                                                                                              |       | SEE CALLOUTS                                    |    |
| APPLICATION SPEC                                                                                                                                                      |       | SEE CALLOUTS                                    |    |
| PRODUCT SPEC                                                                                                                                                          |       | SEE CALLOUTS                                    |    |
| DRAWING NO                                                                                                                                                            |       | 00779                                           |    |
| DATE                                                                                                                                                                  |       | 6-20-93                                         |    |
| BY                                                                                                                                                                    |       | AF                                              |    |
| CHK                                                                                                                                                                   |       | AF                                              |    |
| APPD                                                                                                                                                                  |       | AF                                              |    |
| MATERIAL                                                                                                                                                              |       | SEE CALLOUTS                                    |    |
| FINISH                                                                                                                                                                |       | SEE CALLOUTS                                    |    |
| APPLICATION SPEC                                                                                                                                                      |       | SEE CALLOUTS                                    |    |
| PRODUCT SPEC                                                                                                                                                          |       | SEE CALLOUTS                                    |    |
| <p>DO NOT SCALE PRINT.<br/>         DIMENSIONS IN INCHES<br/>         TOLERANCES (IN)<br/>         2 PL DEC 5 0.131-0.003<br/>         3 PL DEC 5 0.003</p>           |       |                                                 |    |
| <p>THIS DRAWING IS A CONTROLLED DOCUMENT FOR AMP INCORPORATED. IT IS SUBJECT TO CHANGE WITHOUT NOTICE. ANY REVISIONS SHOULD BE CONTACTED FOR THE LATEST REVISION.</p> |       |                                                 |    |