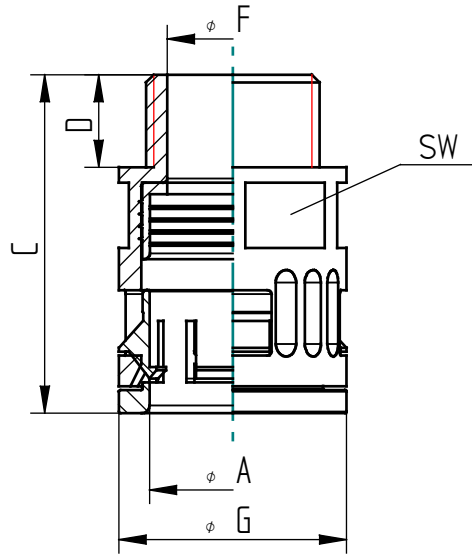


<b>DATA SHEET</b>	55501000
<b>SILVYN® KLICK-GM</b>	valid from : 26.06.2003



Trade size (Tubing outer-Ø) Ø A mm	Metr.- thread EN 60423	Outer - Ø G mm	Inner - Ø F mm	Total - length C mm	Length of thread D mm	Wrenchsize mm
10	M10x1,0	17	6	34,5	11,5	15,5
13	M12x1,5	20	7	37	12	18
13	M16x1,5 / 1	20	10	37	11,5	18
15,8	M16x1,5 / 2	23	11	39	11,5	21
15,8	M20x1,5 / 1	23	12	39	12	21
21,2	M20x1,5 / 2	29,5	16	44,5	13	27
28,5	M25x1,5	37	20,5	47	13	34
34,5	M32x1,5	44	25,5	51	15	40
42,5	M40x1,5	52	32	53,5	15	48
54,5	M50x1,5	63,5	42,5	55	15,5	59

<b>Material</b>	polyamide ( PA )
<b>Application</b>	for conduits Type SILVYN® RILL
<b>Assignment</b>	SILVYN® KLICK-GM 13 (Trade size) suitable to SILVYN® RILL 13 (Outer-Ø) etc.
<b>Color</b>	grey black on request ( UV – resistant )
<b>Temperature range</b>	-30°C to +100 °C

**Approbation** File Nr. E 86359



elaborated by: TE-VZ: R. Drotleff	Document: DB55501000EN	page 1 of 1
--------------------------------------	------------------------	-------------