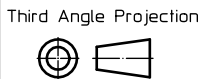
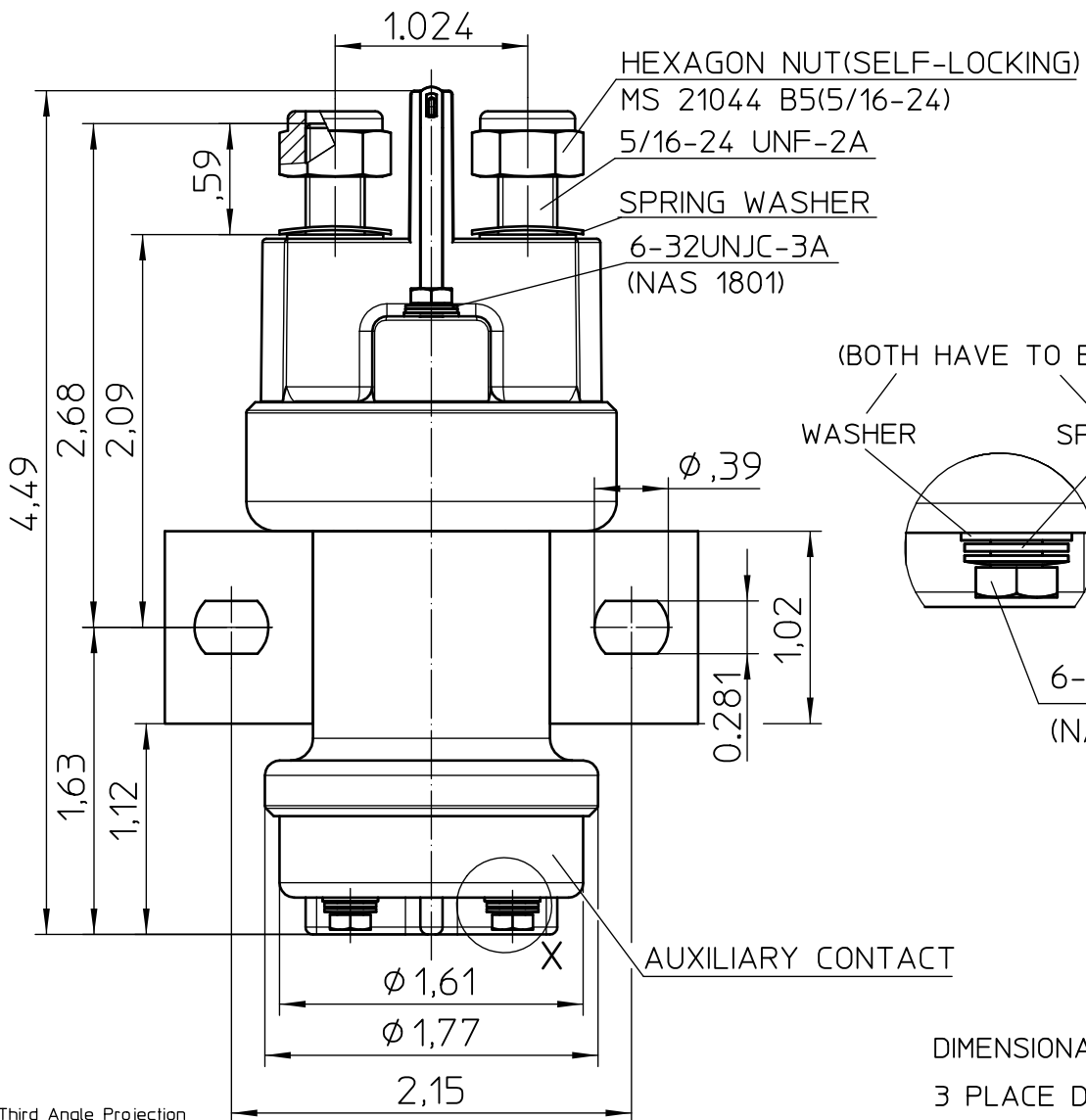
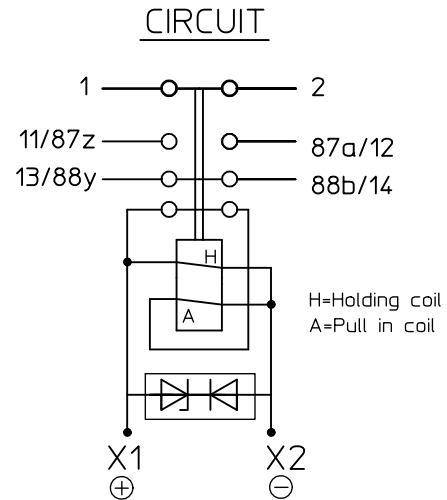
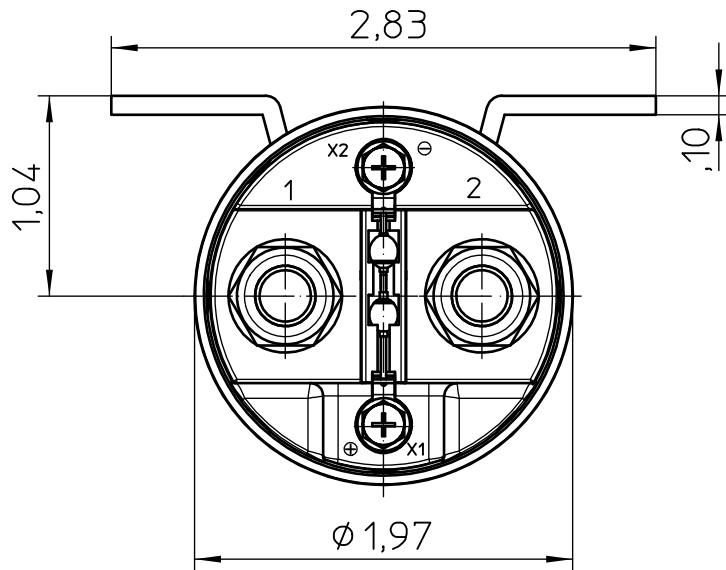


100AMP NC POWER RELAIS (28VDC)

NC-VERSION SIDE MOUNTING SUPPRESSION ENVIRONMENTALLY SEALED



DIMENSIONAL TOLERANCES
3 PLACE DECIMAL +/-0.010
2 PLACE DECIMAL +/-0.03
ANGULAR +/-0°30'

	Date	Name	mm	Scale	 Elektrotechnik - GmbH & Co KG D - 72218 Wildberg	Drawing No:
Drawn	13.05.2005	Grind		1:1		26-64-75-905
Check	21.07.2006	Grind	General Tolerances			NSN.:

TECHNICAL DATA

ENVIRONMENTAL CHARACTERISTICS

TEMPERATUR RANGE.....-55°C TO +74°C (-67°F TO +165°F)
 MAX. ALTITUDE RATING.....50 000FT
 SEAL.....IEC PUBLICATION 529; IP 67; 6 FT
 SHOCK G-LEVEL.....MIL-STD-202, TEST METHOD 213, TEST CONDITION J=30 G
 VIBRATION MAIN CONTACT.....MIL-STD-202, TEST METHOD 204, TEST CONDITION C= 5 G
 VIBRATION AUXILIARY CONTACTS.....MIL-STD-202, TEST METHOD 204, TEST CONDITION C= 5 G
 ACCELERATION.....15 G

ELECTRICAL CHARACTERISTICS

MIN.INSULATION RESISTANCE;INITIAL.....100 MEGOHMS
 AFTER LIFE OR ENVIRONMENTAL.....50 MEGOHMS
 DIELECTRIC WITHSTANDING VOLTAGE SEA-LEVEL 1MINUTE.....1 050 VOLTS
 ALTITUDE 1MINUTE.....500 VOLTS
 MAX.CONTACT DROP INITIAL.....0,15 VOLTS
 AFTER LIFE TEST.....0,175 VOLTS
 OVERLOAD.....1000 AMP FOR 1 SEC,200 AMP FOR 20 SEC
 DUTY RATING.....100 AMP CONTINUOUS

RATED CONTACT LOAD (28 VDC)

MAIN CONTACT

RESISTIVE LOAD.....20 000 CYCLES WITH 100 AMP
 MECHANICAL LIFE.....50 000 CYCLES WITH 25 AMP

AUXILIARY CONTACT

CONTINUOUS CURRENT.....2 AMP
 MAKE AND BREAK.....2 AMP

OPERATING CHARACTERISTICS

COIL DATA

VOLTAGE RANGE.....18-32 VDC
 NOMINAL VOLTAGE.....28 VDC
 PICK UP VOLTAGE MAX.18 VDC FULL TEMP.RANGE
 DROP OUT VOLTAGE MAX.≤6 VDC FULL TEMP.RANGE
 RESISTANCE PULL IN COIL.....3,6 OHMS ±20%
 PULL IN CURRENT MAX.8 AMP FOR 30 MILLISECONDS
 RESISTANCE HOLDING COIL.....145 OHMS ±10%
 HOLDING CURRENT MAX.0.25 AMP

TIME MILLISECONDS-MAX.

BREAK.....10
 BOUNCE.....20
 MAKE.....60

WEIGHT

.....0,50kg= 1,10 POUND

WIRE SECTION (AT NOMINAL LOAD)

..... 25 mm²/AWG 3=0.039 sq.inch

SUBJECT TO CHANGE

	Date	Name	mm ←	Scale 1:1	 Elektrotechnik - GmbH & Co KG D - 72218 Wildberg	Drawing No: 26-64-75-905
Drawn	17.05.2005	Grind	General Tolerances			
Check	02.06.2005	Grind				NSN.: