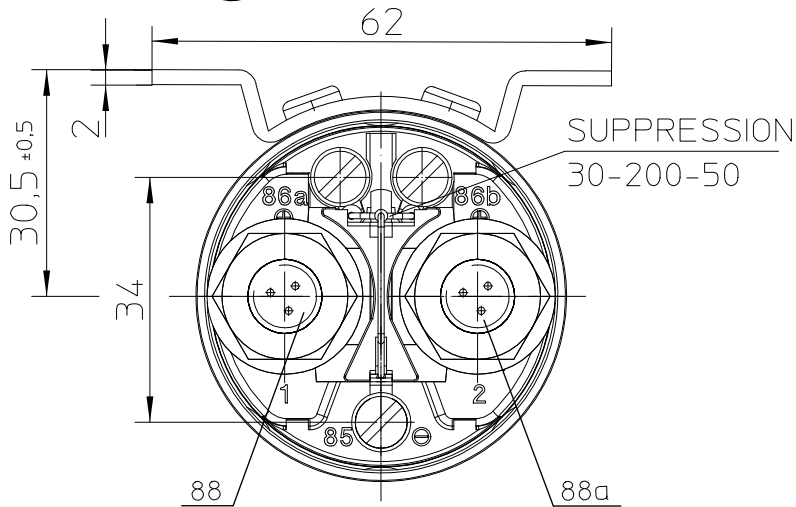
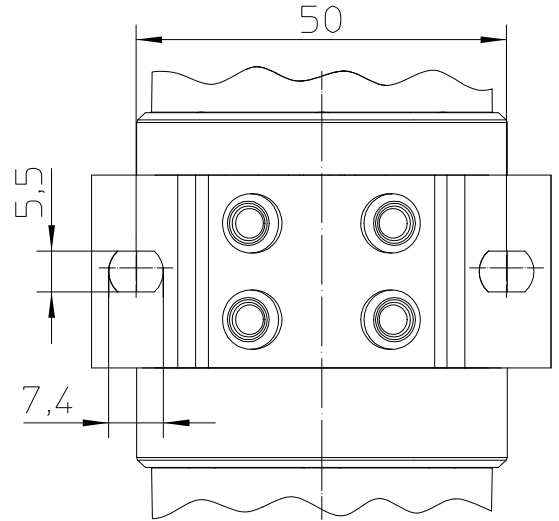
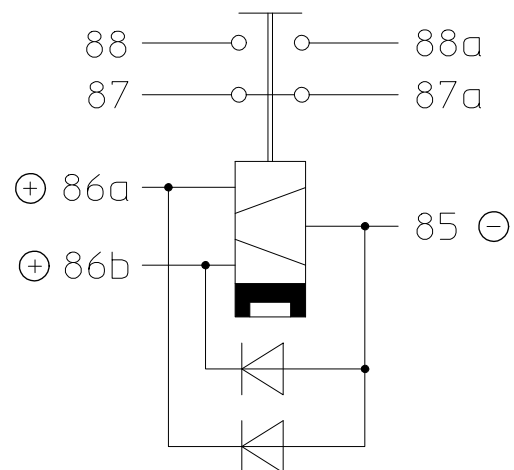


MOUNTING DIMENSIONS



CIRCUIT:



For this drawing we reserve the copyright in accordance with DIN ISO 16016

	Date	Name
Create	16.12.2010	Kaise
Edited	19.11.2019	Mielk
Check	19.11.2019	Kaise

mm ↔	Scale 1:1
General Tolerances DIN ISO 2768 cL	



Drawing No:

30-321-12

NSN:

TECHNICAL DATA

Bi-stable relays of the series 30 are equipped with 2 coils and magnetical latching. The relay will pick up (make) by an impulse to the pull-in coil. Without current the make position will be held by a permanent magnet. The relay will open (break) through an impulse to the drop-out coil. Both positions also supported by the permanent magnet.

ENVIRONMENTAL CHARACTERISTICS

TEMPERATURE RANGE.....-40°C TO +85°C (-40°F TO +185°F)
 MAX. ALTITUDE RATING.....50 000 FT
 SEAL.....IEC 529,2.EDITION 1989-IP67 (6 FT/1MIN.) AND IP6K9K
 SHOCK G-LEVEL.....6G/11 MSEC
 VIBRATION4G/50-2000 Hz

ELECTRICAL CHARACTERISTICS

MIN.INSULATION RESISTANCE,INITIAL.....100 MEGOHMS
 AFTER LIVE OR ENVIRONMENTAL.....50 MEGOHMS
 SEA-LEVEL 1 MINUTE1 050 VAC
 DIELECTRIC WITHSTANDING VOLTAGE.
 ALTITUDE 1 MINUTE..... 500 VAC
 MAX.CONTACT DROP,INITIAL.....0,15 VDC
 AFTER LIFE TEST.....0,175 VDC
 OVERLOAD.....2400 AMP for 1 sec. /600A AMP for 1 sec.
 DUTY RATING.....300 AMP CONTINUOUS

RATED CONTACT LOAD

RESISTIVE LOAD.....50 000 CYCLES
 MECHANICAL LIFE.....100 000 CYCLES

OPERATING CHARACTERISTICS

COIL DATA

VOLTAGE RANGE.....18-32 VDC
 NOMINAL VOLTAGE.....24 VDC
 PICK UP VOLTAGE MIN.....13 VDC FULL TEMP. RANGE
 DROP OUT VOLTAGE MIN.....10 VDC
 RESISTANCE PULL IN COIL.....4,1 OHMS ±20%
 PULL IN CURRENT APPROX.5,8 AMP
 RESISTANCE DROP OUT COIL.....6,4 OHMS ±20%
 DROP OUT CURRENT APPROX.....3,7 AMP
 PICK UP IMPULSE TIME.....50 MSEC APPROX. (CONTINUOUS IMPULSE MAX. 1 MIN)
 DROP OUT IMPULSE TIME.....50 MSEC APPROX. (CONTINUOUS IMPULSE MAX. 1 MIN)

TIME-MILLISECONDS-MAX. CONTACT (NO)

OPERATE.....25
 BOUNCE.....5
 RELEASE.....20

TIME-MILLISECONDS-MAX. BREAK CONTACT (NC)

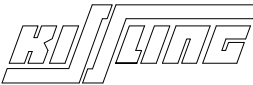
OPERATE.....30
 BOUNCE.....8
 RELEASE.....35

WEIGHT.....0,55 kg= 1.21 POUND MAX.

WIRE SECTION (AT NOMINAL LOAD).....MIN. 95mm² /0.147 sq. in./ AWG 0000

SUBJECT TO CHANGE

For this drawing we reserve the copyright in accordance with DIN ISO 16016

	Date	Name	mm	Scale		Drawing No:
Create	16.12.2010	Kaise	↔	1:1		30-321-12
Edited	19.11.2019	Mielk	General Tolerances			
Check	19.11.2019	Kaise	DIN ISO 2768 cL			NSN: