



RAYCHEM

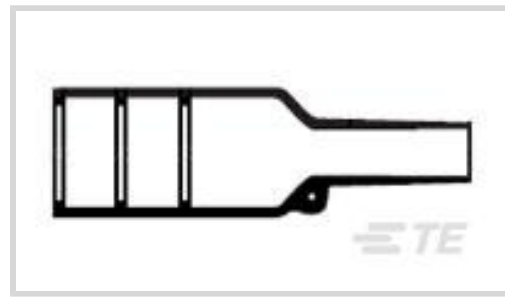
TE Internal #: 042045-000

Heat Shrink Boots, Straight, Size 202, Lipped, 25, 25, Adhesive

Precoat Adhesive Requirement, -75 – 150 °C [-103 – 302 °F]

[View on TE.com >](#)

Wire Protection & Management > Heat Shrink Shapes > Heat Shrink Boots > Bulbous Heat Shrink Boots: Lipped, Straight



Body Orientation: **Straight**

Molded Part Shape Code: **202**

Lipped: **Yes**

Material Code: **25**

Material Systems Code: **25**

[All Bulbous Heat Shrink Boots: Lipped, Straight \(411\)](#)

## Features

### Configuration Features

Lipped	Yes
Adhesive Requirement	Adhesive Precoat

### Body Features

Primary Product Material	Fluid Resistant Modified Elastomer
Material Code	25
Material Systems Code	25

### Housing Features

Body Orientation	Straight
------------------	----------

### Dimensions

Compatible Cable Diameter (Max)	10 mm, 6 mm, 7 mm, 8 mm, 9 mm [.23 in][.27 in][.314 in][.35 in][.39 in]
Compatible Cable Diameter Range	5.6 – 13 mm [5.6 – 14 in]

### Usage Conditions

Operating Temperature Range	-75 – 150 °C [-103 – 302 °F]
Resistance Protection	Long-Term Fluid Exposure at High Temperatures

### Industry Standards

--	--



Approved Standards	BS-G-198-5-DE, DEF Std 59-97 Issue 3 Type DE, IEC 62329-3-102, MIS-34867, VG95343 Part 18
--------------------	---

### Other

Molded Part Shape Code	202
Adhesive Code	225

## Product Compliance

[For compliance documentation, visit the product page on TE.com>](#)

EU RoHS Directive 2011/65/EU	Compliant
EU ELV Directive 2000/53/EC	Compliant
China RoHS 2 Directive MIIT Order No 32, 2016	No Restricted Materials Above Threshold
EU REACH Regulation (EC) No. 1907/2006	Current ECHA Candidate List: JUNE 2023 (235) Candidate List Declared Against: JUNE 2023 (235) Does not contain REACH SVHC
Halogen Content	Not Low Halogen - contains Br or Cl > 900 ppm.
Solder Process Capability	Not applicable for solder process capability

#### Product Compliance Disclaimer

This information is provided based on reasonable inquiry of our suppliers and represents our current actual knowledge based on the information they provided. This information is subject to change. The part numbers that TE has identified as EU RoHS compliant have a maximum concentration of 0.1% by weight in homogenous materials for lead, hexavalent chromium, mercury, PBB, PBDE, DBP, BBP, DEHP, DIBP, and 0.01% for cadmium, or qualify for an exemption to these limits as defined in the Annexes of Directive 2011/65/EU (RoHS2). Finished electrical and electronic equipment products will be CE marked as required by Directive 2011/65/EU. Components may not be CE marked. Additionally, the part numbers that TE has identified as EU ELV compliant have a maximum concentration of 0.1% by weight in homogenous materials for lead, hexavalent chromium, and mercury, and 0.01% for cadmium, or qualify for an exemption to these limits as defined in the Annexes of Directive 2000/53/EC (ELV). Regarding the REACH Regulation, the information TE provides on SVHC in articles for this part number is based on the latest European Chemicals Agency (ECHA) 'Guidance on requirements for substances in articles' posted at this URL: <https://echa.europa.eu/guidance-documents/guidance-on-reach>


## Customers Also Bought



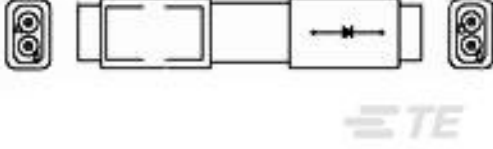
TE Part #814728-000  
Heat Shrink Boots: Non Lipped, Straight



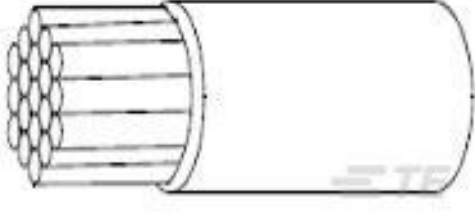
TE Part #814717-000  
Heat Shrink Boots: Non Lipped, Right Angle



TE Part #259472-000  
202K132-25-01/225-0



TE Part #591841-1  
TJ DBL W SPLICE 20E-1



TE Part #216054-000  
55A0111-12-9



TE Part #D29161-000  
S1125-KIT-1-CS8691



TE Part #CB03376003  
RW-200-E-1/2-0-60MM

## Documents

### Product Drawings

202K121-25-01/225-0

English

### Datasheets & Catalog Pages

1654025\_Sec4\_-25

English

### Raychem Molded Parts Visual Guide

English

### Solutions for Defense Applications Certified to VG Standards

English

### Product Environmental Compliance

#### Safety Datasheet

English

#### Safety Datasheet

English

#### Safety Datasheet

#### Safety Datasheet

#### Safety Datasheet

#### Safety Datasheet

German

#### Safety Datasheet

#### Safety Datasheet

French



[Safety Datasheet](#)

[Safety Datasheet](#)

[Safety Datasheet](#)

[Safety Datasheet](#)

[Safety Datasheet](#)

English

[Safety Datasheet](#)

French

[Safety Datasheet](#)

German

[Safety Datasheet](#)

[Safety Datasheet](#)

[Safety Datasheet](#)