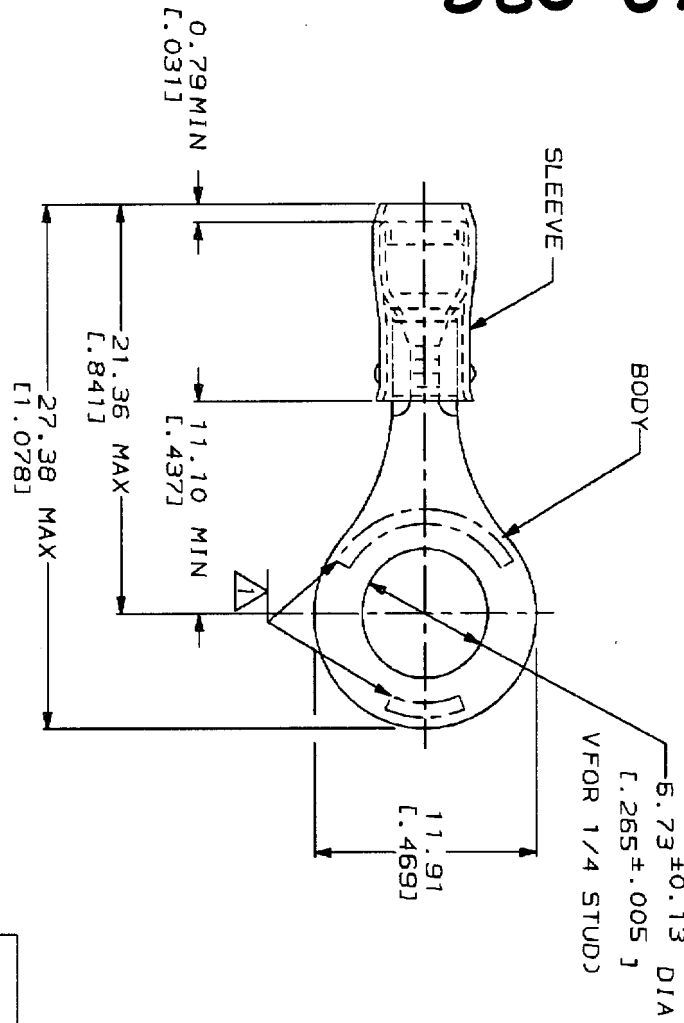


586-675



AMP WIRE RANGE	UL E13288 Listed	LR7189 Certified
22-16 AWG SOLID OR STRANDED	22-16 AWG SOLID OR STRANDED	22-16 AWG SOLID OR STRANDED

STAMP AMP 22-18\* 1-2 APPROX AS SHOWN  
 22-16 TERMINALS ARE STAMPED 22-18 IN  
 ACCORDANCE WITH MILITARY SPEC MIL-T-7928  
 COMMERCIAL WIRE RANGE IS 22-16  
 2 WIRE INSULATION DIA: 2.03 - 3.18  
 [L.080 - .125]  
 3 TONGUE MATERIAL THK: 0.79±0.05  
 [L.031±.002]

AMP INCORPORATED CUSTOMER SERVICE SYSTEMS		MAX RECOMMENDED OPERATING TEMPERATURE: 105°C MAX	
FOR ADDITIONAL PRODUCT INFORMATION OR COPIES OF DRAWINGS AND TECHNICAL DOCUMENTS	PRODUCT INFORMATION CENTER 1-800-522-6752	VOLTAGE RATING: 300 V MAX	DO NOT SCALE PRINT. DIMENSIONS SPECIFIED IN (INCHES) DIMENSIONS IN MM (INCHES) 2 P.L.C. DEC 2 0.20(1.00) 3 P.L.C. DEC 2 -
FOR APPLICATION	TOOLING ASSISTANCE CENTER 1-800-722-1111	CIRCULAR MIL AREA: 0.26-1.65mm <sup>2</sup> (509-3.26) CIR MILS SOLID OR STRANDED	MATERIAL COPPER PER ASTM B-152 NYLON, COLOR: RED
TOOLING INFORMATION	1-800-526-5142	FINISH TIN PLATE PER MIL-T-10727	APPLICATION SPEC NOT AVAILABLE
FOR ORDER ENTRY			WEIGHT

AMP 1706-15 REV 3-82 14:09:06 AMP10398 <UJ128A>DEPT1132>U.DMG1132>U.RBY>U.P106>U.CUST  
 22 MAR 1995

THIS DRAWING IS UNPUBLISHED.	RELEASED FOR PUBLICATION	19
© COPYRIGHT 19	BY AMP INCORPORATED. ALL INTERNATIONAL RIGHTS RESERVED.	
LOC	DIST	
G	14	
ZONE	LTR	
V	REV / 0720-0546-95	
DATE	APPRO	
22MARS	NG	

REVOLUTIONS	DESCRIPTION

CUSTOMER DRAWING

AMP	AMP Incorporated Harrisburg, PA 17105-3608
NAME	TERMINAL, RING TONGUE, P. I. D. G., WIRE SIZE: 22-16 AWG
SIZE	SCALE
00779	NTS
00779	320571
00779	320571
00779	320571

H325036-150	100	LOOSE PIECE, BOX	8-320571-1
H325036-150	5000	ON TAPE, REEL	2-320571-2
H325036-150	1000	LOOSE PIECE	320571
CLASS 2			
CLASS 1 & 2			
MILITARY P/N AND CLASS	QUANTITY	PACKAGE TYPE	PART NO