

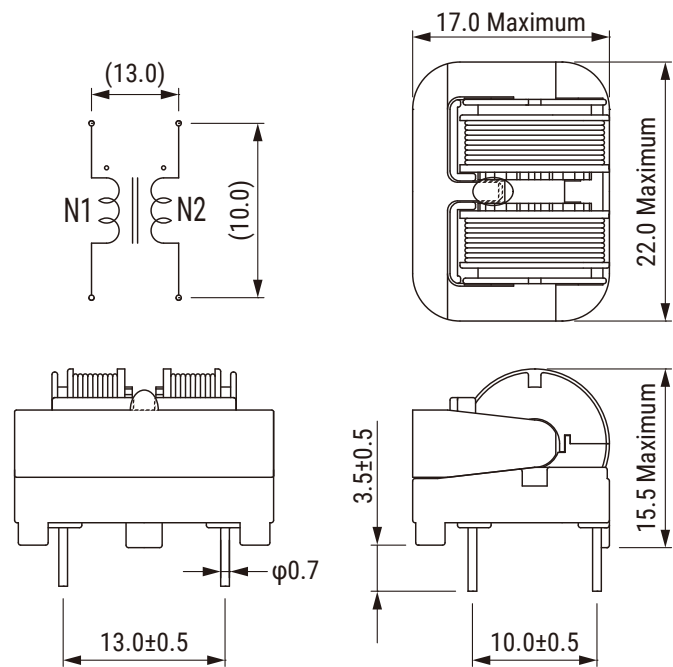
# Common Mode & Dual Mode Chokes Coils, 2.2 – 5.0 A High Current Kit

## Sample Kit Contents

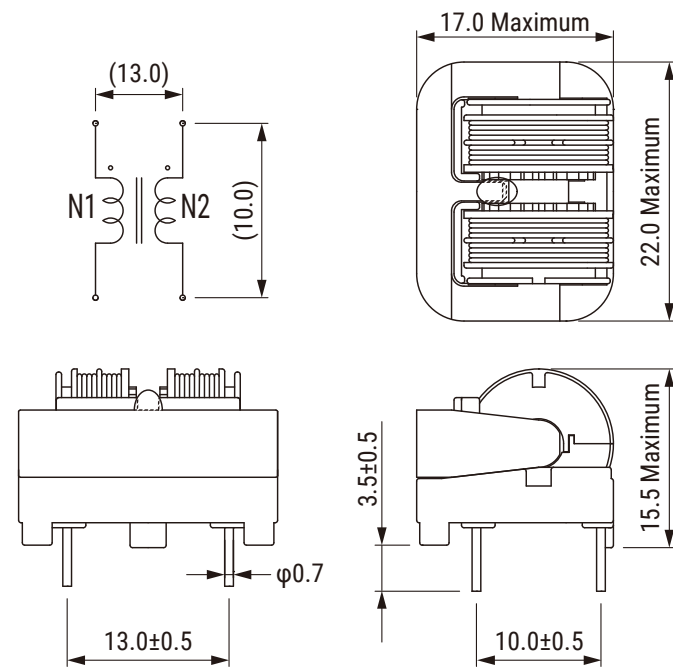
KEMET Part Number	Rated Voltage (VAC)	Rated Current (A)	Inductance (mH) at 10 kHz Minimum	DC Resistance/Line ( $\Omega$ ) Maximum	Temperature Range	Quantity	Description
SSHB10HS-22011	250	2.20	1.10	0.110	-25/+130°C	1	SSHB10HS, Dual Mode
SSHB10H-22014	250	2.20	1.40	0.120	-25/+130°C	1	SSHB10H, Dual Mode
SSR10VS-22026	250	2.20	2.60	0.100	-25/+120°C	1	SSR10VS/HS, Common Mode
SSHB10HS-R22027	250	2.20	2.70	0.110	-25/+120°C	1	SSHB10HS, Dual Mode
SSHB10H-R22034	250	2.20	3.40	0.120	-25/+120°C	1	SSHB10H, Dual Mode
SSR10V-22034	250	2.20	3.40	0.110	-25/+120°C	1	SSR10V/H, Common Mode
SSR21NVS-M25064	250	2.50	6.40	0.090	-25/+120°C	1	SSR21NVS-M/NHS-M, Common Mode
SSR21NV-M25103	250	2.50	10.30	0.120	-25/+120°C	1	SSR21NV-M/NH-M, Common Mode
SSRH24NVS-25130	250	2.50	13.00	0.111	-25/+120°C	1	SSRH24NVS/NHS, Common Mode
SSRH24NV-25205	250	2.50	20.50	0.145	-25/+120°C	1	SSRH24NV/NH, Common Mode
SSHB10HS-30006	250	3.00	0.60	0.060	-25/+130°C	1	SSHB10HS, Dual Mode
SSHB10H-30007	250	3.00	0.70	0.070	-25/+130°C	1	SSHB10H, Dual Mode
SSR10VS-30013	250	3.00	1.30	0.060	-25/+120°C	1	SSR10VS/HS, Common Mode
SSHB10HS-R30015	250	3.00	1.50	0.060	-25/+120°C	1	SSHB10HS, Dual Mode
SSR10V-30016	250	3.00	1.60	0.060	-25/+120°C	1	SSR10V/H, Common Mode
SSHB10H-R30017	250	3.00	1.70	0.070	-25/+120°C	1	SSHB10H, Dual Mode
SSR21NVS-M30041	250	3.00	4.10	0.070	-25/+120°C	1	SSR21NVS-M/NHS-M, Common Mode
SSR21NV-M30064	250	3.00	6.40	0.080	-25/+120°C	1	SSR21NV-M/NH-M, Common Mode
SSRH24NVS-30092	250	3.00	9.20	0.079	-25/+120°C	1	SSRH24NVS/NHS, Common Mode
SSRH24NV-30145	250	3.00	14.50	0.102	-25/+120°C	1	SSRH24NV/NH, Common Mode
SSRH24NVS-35080	250	3.50	8.00	0.074	-25/+120°C	1	SSRH24NVS/NHS, Common Mode
SSRH24NV-35086	250	3.50	8.60	0.078	-25/+120°C	1	SSRH24NV/NH, Common Mode
SSRH24NVS-40059	250	4.00	5.90	0.055	-25/+120°C	1	SSRH24NVS/NHS, Common Mode
SSRH24NV-40069	250	4.00	6.90	0.057	-25/+120°C	1	SSRH24NV/NH, Common Mode
SSRH24NVS-45041	250	4.50	4.10	0.041	-25/+120°C	1	SSRH24NVS/NHS, Common Mode
SSRH24NV-45059	250	4.50	5.90	0.048	-25/+120°C	1	SSRH24NV/NH, Common Mode
SSRH24NVS-50026	250	5.00	2.60	0.027	-25/+120°C	1	SSRH24NVS/NHS, Common Mode
SSRH24NV-50041	250	5.00	4.10	0.035	-25/+120°C	1	SSRH24NV/NH, Common Mode
KEMET Part Number	Rated Voltage (VAC)	Rated Current (A)	Inductance (mH) at 10 kHz Minimum	DC Resistance/Line ( $\Omega$ ) Maximum	Temperature Range	Quantity	Description

## Dimensions – Millimeters (Inches)

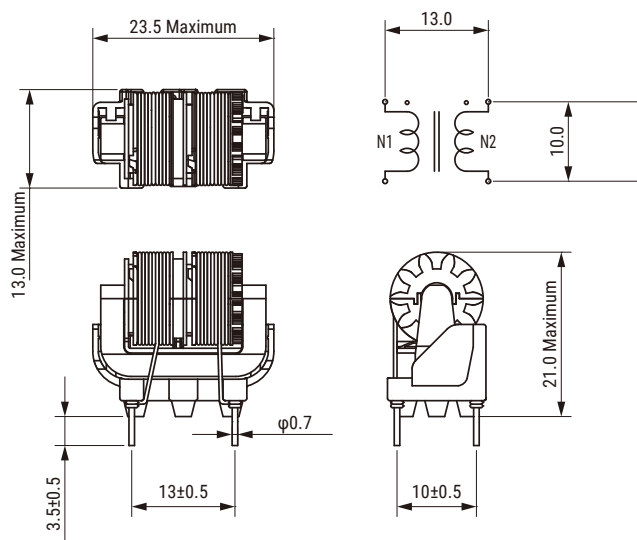
SSHB10H



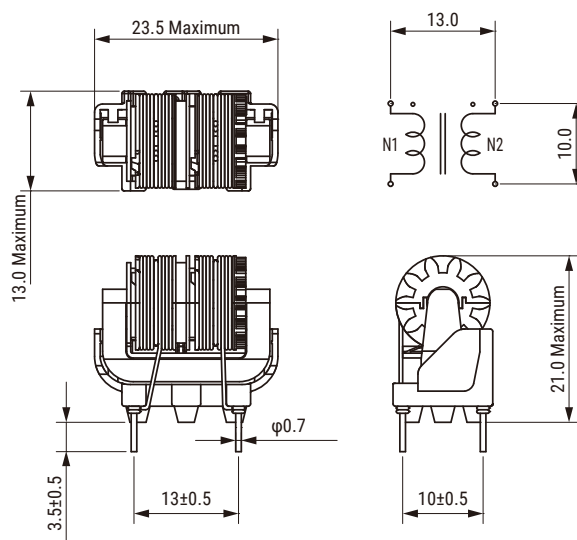
SSHB10HS



SSR10V

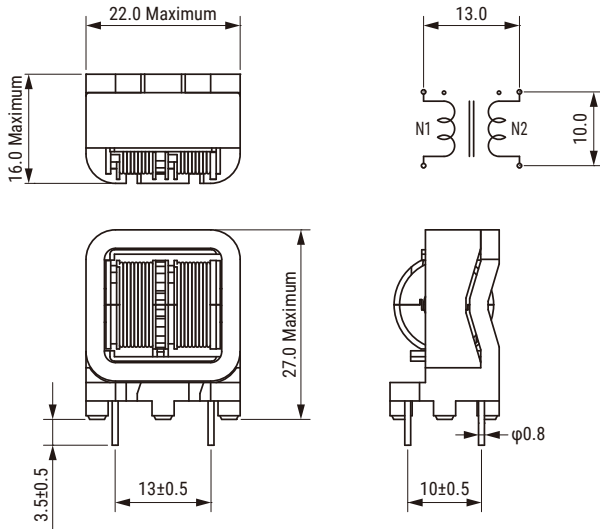


SSR10VS

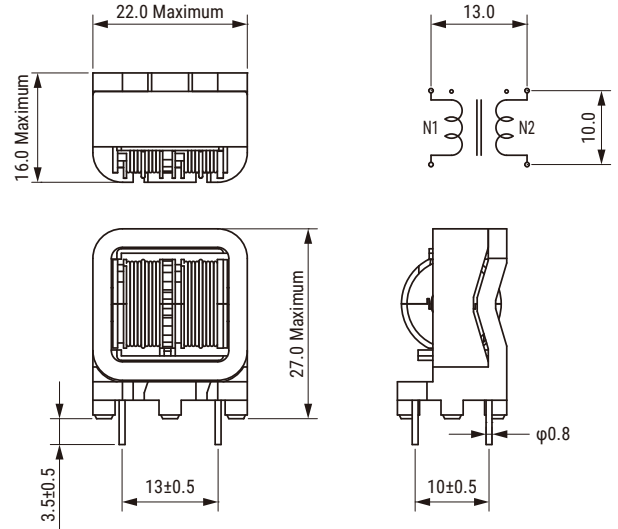


## Dimensions – Millimeters (Inches) cont.

### SSR21NV-M

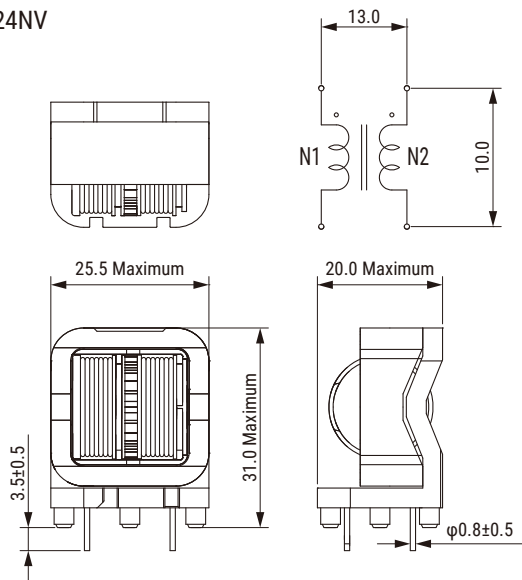


### SSR21NVS-M

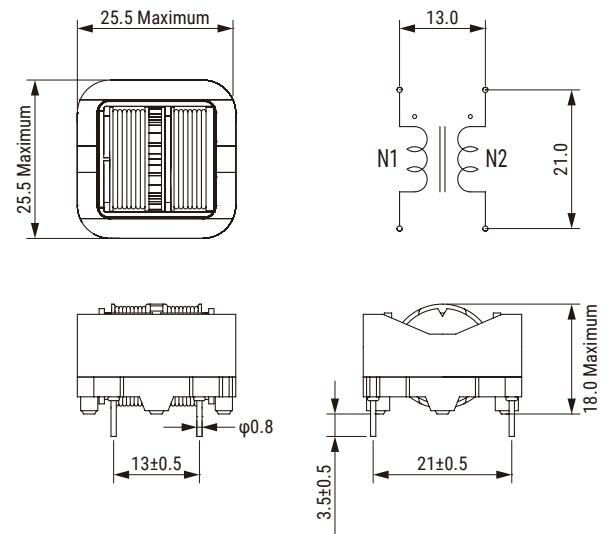


### SSRH24NV/NH

#### ● SSRH24NV



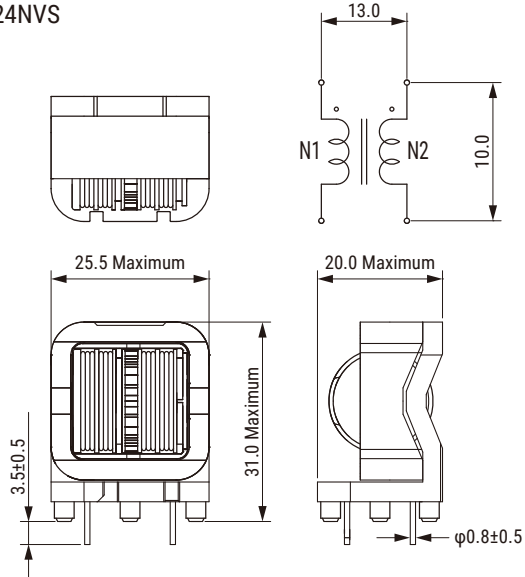
#### ● SSRH24NH



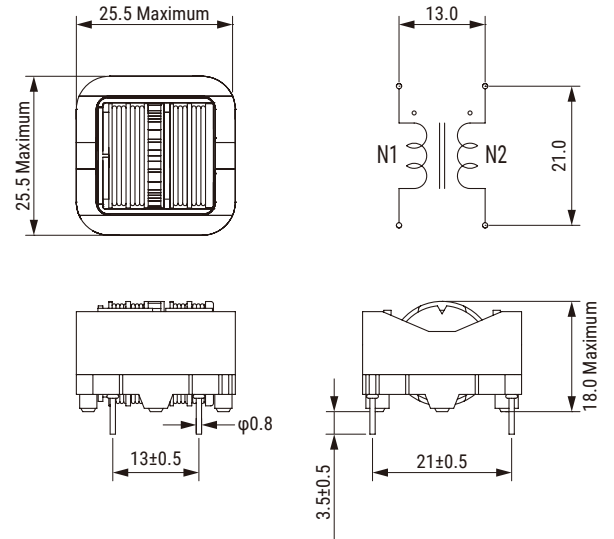
## Dimensions – Millimeters (Inches) cont.

### SSRH24NVS/NHS

● SSRH24NVS



● SSRH24NHS



## KEMET Electronics Corporation Sales Offices

For a complete list of our global sales offices, please visit [www.kemet.com/sales](http://www.kemet.com/sales).

---

### Disclaimer

YAGEO Corporation and its affiliates do not recommend the use of commercial or automotive grade products for high reliability applications or manned space flight.

All product specifications, statements, information and data (collectively, the "Information") in this datasheet are subject to change. The customer is responsible for checking and verifying the extent to which the Information contained in this publication is applicable to an order at the time the order is placed. All Information given herein is believed to be accurate and reliable, but it is presented without guarantee, warranty, or responsibility of any kind, expressed or implied.

Statements of suitability for certain applications are based on KEMET Electronics Corporation's ("KEMET") knowledge of typical operating conditions for such applications, but are not intended to constitute – and KEMET specifically disclaims – any warranty concerning suitability for a specific customer application or use. The Information is intended for use only by customers who have the requisite experience and capability to determine the correct products for their application. Any technical advice inferred from this Information or otherwise provided by KEMET with reference to the use of KEMET's products is given gratis, and KEMET assumes no obligation or liability for the advice given or results obtained.

Although KEMET designs and manufactures its products to the most stringent quality and safety standards, given the current state of the art, isolated component failures may still occur. Accordingly, customer applications which require a high degree of reliability or safety should employ suitable designs or other safeguards (such as installation of protective circuitry or redundancies) in order to ensure that the failure of an electrical component does not result in a risk of personal injury or property damage.

Although all product-related warnings, cautions and notes must be observed, the customer should not assume that all safety measures are indicated or that other measures may not be required.

When providing KEMET products and technologies contained herein to other countries, the customer must abide by the procedures and provisions stipulated in all applicable export laws and regulations, including without limitation the International Traffic in Arms Regulations (ITAR), the US Export Administration Regulations (EAR) and the Japan Foreign Exchange and Foreign Trade Act.

*KEMET is a registered trademark of KEMET Electronics Corporation.*