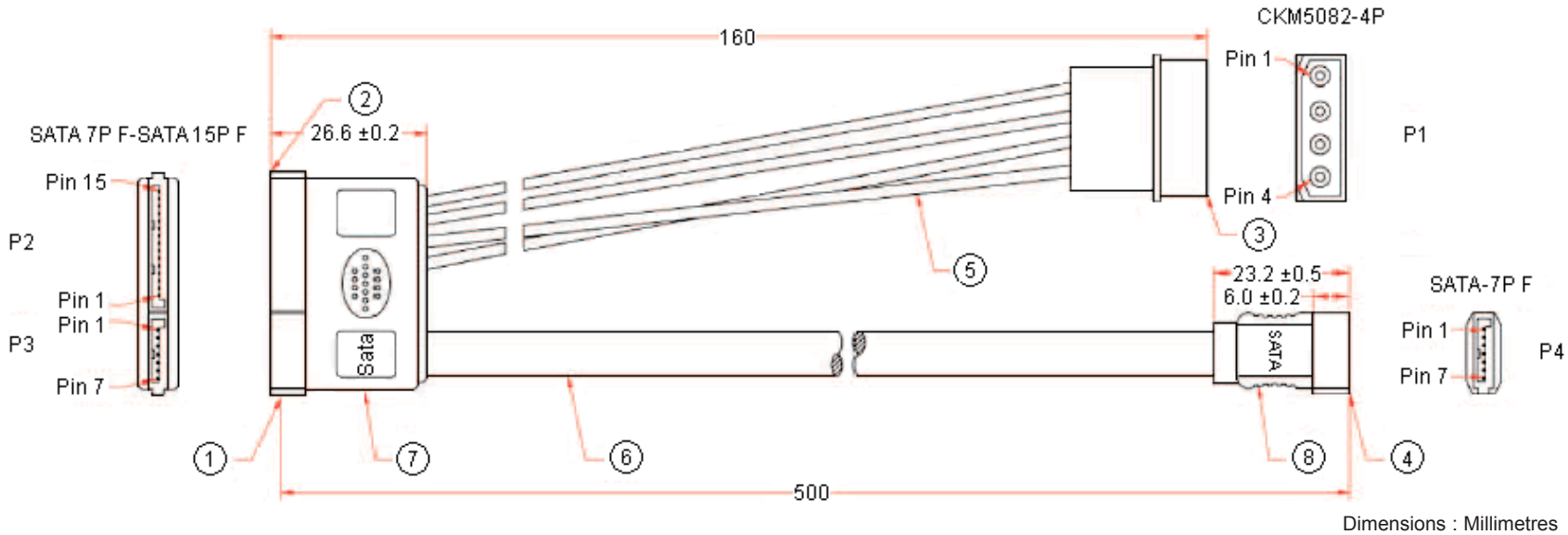


REVISIONS

ECN #	REV	DESCRIPTION	DRAWN	DATE	CHECKD	DATE	APPRVD	DATE
-	A	RELEASED	Sridhar	04/07/09	Veena	04/07/09	Farnell	18/07/09



Dimensions : Millimetres

P1	P2	P3	P4	
1 Yellow	13	1	1 Shield	One Group
2 Black	14 +12V	2	2 White	
	15	3	3 Blue	
3 Black	10	4	4 Shield	
	11 GND	4	4 Shield	Another Group
	12	5	5 White	
4	6	6 Blue		
4 Red	5 GND	7	7 Shield	
	6			
	7			
	8 +5V			
	9			

This data sheet and its contents (the "Information") belong to the Premier Farnell Group (the "Group") or are licensed to it. No licence is granted for the use of it other than for information purposes in connection with the products to which it relates. No licence of any intellectual property rights is granted. The Information is subject to change without notice and replaces all data sheets previously supplied. The Information supplied is believed to be accurate but the Group assumes no responsibility for its accuracy or completeness, any error in or omission from it or for any use made of it. Users of this data sheet should check for themselves the Information and the suitability of the products for their purpose and not make any assumptions based on information included or omitted. Liability for loss or damage resulting from any reliance on the Information or use of it (including liability resulting from negligence or where the Group was aware of the possibility of such loss or damage arising) is excluded. This will not operate to limit or restrict the Group's liability for death or personal injury resulting from its negligence. SPC pro-SIGNAL is the registered trademark of the Group. © Premier Farnell plc 2009.

TOLERANCES:

UNLESS OTHERWISE SPECIFIED, DIMENSIONS ARE FOR REFERENCE PURPOSES ONLY.

DRAWN BY:	DATE:
Sri	04/07/09
CHECKED BY:	DATE:
Veena	04/07/09
APPROVED BY:	DATE:
Farnell	17/07/09

DRAWING TITLE:

SATA Power Lead

SIZE	DWG NO.	ELECTRONIC FILE	REV
A		1019948-TDS_DWG	A
SCALE: NTS	U.O.M.: mm	SHEET: 1 OF 2	



PART NO.

RB-416

REVISIONS

ECN #	REV	DESCRIPTION	DRAWN	DATE	CHECKD	DATE	APPRVD	DATE
-	A	RELEASED	Sri	04/07/09	Veena	04/07/09	Farnell	17/07/09

Specifications

Item	Description	Part Number
1	Serial ATA Connector, Female 7 Pin, Black Plastic	RB-416
2	Serial ATA Connector, Female 15 Pin, Black Plastic	
3	Terminal: CKM5082-T	
	Housing: CKM5082-4P, Pitch 5.08mm	
4	Serial ATA Connector, Female 7 Pin, Black Plastic	
5	UL1061 18AWG Insulator Wire, Length 140mm, Drawing No. EH001801C-014	
6	UL2725 Serial ATA External Cable, 26AWG (26AWG+2C+D/W x 3+AL/MY) x 2C, Outer Diameter 2.2 x 7.6mm, Jacket Red	
7	Moulded PE Color, Transparent	
	Moulded PVC Black	
8	Moulded PE Color, Transparent	
	Moulded PVC Black	

<http://www.farnell.com>

<http://www.newark.com>

<http://www.cpc.co.uk>

This data sheet and its contents (the "Information") belong to the Premier Farnell Group (the "Group") or are licensed to it. No licence is granted for the use of it other than for information purposes in connection with the products to which it relates. No licence of any intellectual property rights is granted. The Information is subject to change without notice and replaces all data sheets previously supplied. The Information supplied is believed to be accurate but the Group assumes no responsibility for its accuracy or completeness, any error in or omission from it or for any use made of it. Users of this data sheet should check for themselves the Information and the suitability of the products for their purpose and not make any assumptions based on information included or omitted. Liability for loss or damage resulting from any reliance on the Information or use of it (including liability resulting from negligence or where the Group was aware of the possibility of such loss or damage arising) is excluded. This will not operate to limit or restrict the Group's liability for death or personal injury resulting from its negligence. SPC pro-SIGNAL is the registered trademark of the Group. © Premier Farnell plc 2009.

TOLERANCES:

UNLESS OTHERWISE SPECIFIED, DIMENSIONS ARE FOR REFERENCE PURPOSES ONLY.

DRAWN BY:

Sri

CHECKED BY:

Veena

APPROVED BY:

Farnell

DATE:

04/07/09

DATE:

04/07/09

DATE:

17/07/09

DRAWING TITLE:

SATA Power Lead

SIZE A DWG NO.

ELECTRONIC FILE
1019948-TDS_DWG

REV
A

SCALE: NTS

U.O.M.: mm

SHEET: 2 OF 2