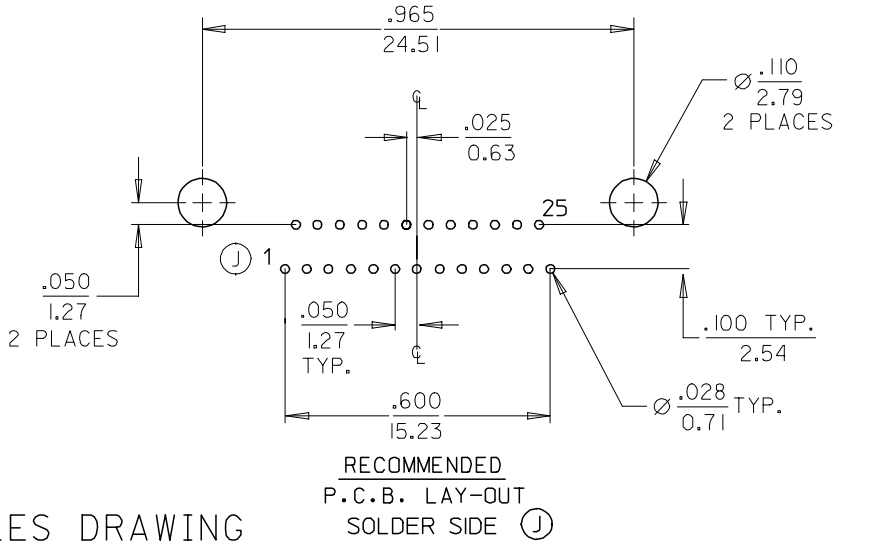
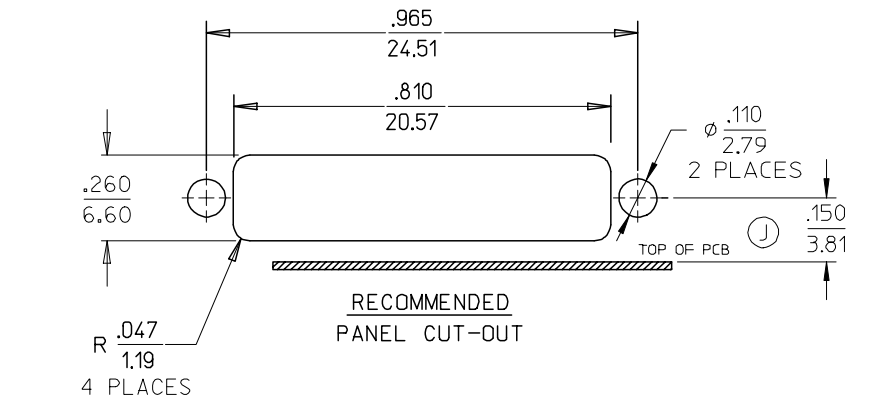
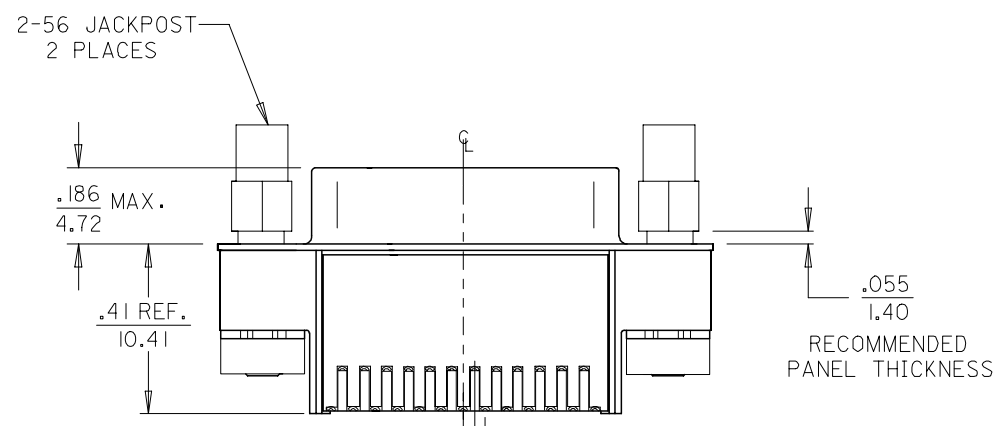
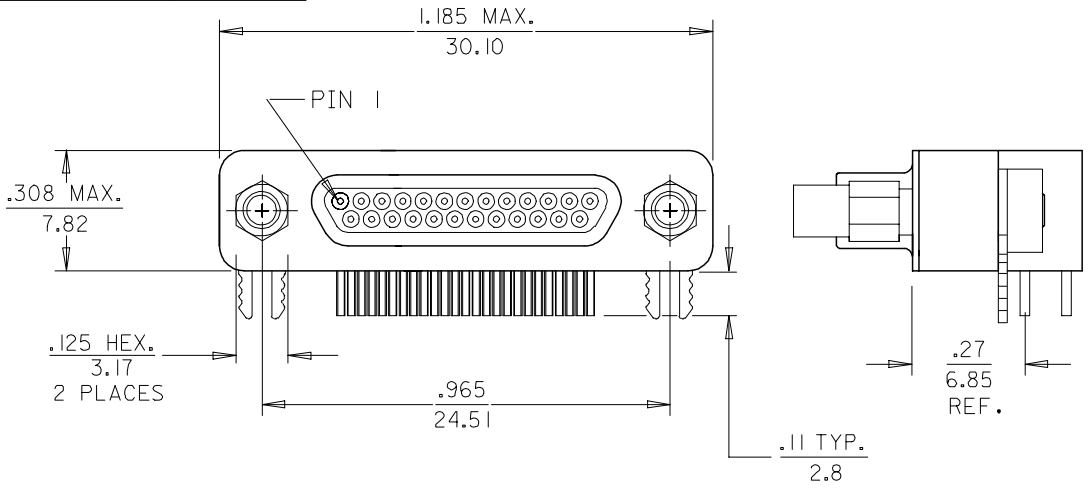


MATERIAL NO.	ENG. NO.
836149012	83614-9012



2. MARKING: NONE.
 1. REFER TO PS-83421-9000 FOR PRODUCT SPECIFICATION.
 NOTES: UNLESS OTHERWISE SPECIFIED.

SALES DRAWING

ADD HOLE LOCATION EC NO: ETL2005-0059 DRW: JLOMASTR 2004/09/28 CHK: RDEROSS 2004/09/28 APPR: RDEROSS 2004/09/28	QUALITY SYMBOLS ▽=0 ▽=0	GENERAL TOLERANCES (UNLESS SPECIFIED)		DIMENSION STYLE IN/MM	SCALE NONE	DESIGN UNITS INCH	THIRD ANGLE PROJECTION	
		4 PLACES ± --- ± ---	3 PLACES ± --- ± .005	DRAWN BY JLOMASTR	DATE 04/09/22	TITLE CONNECTOR COMMERCIAL MICRO D R/A SIZE 25		
		2 PLACES ± 0.13 ± .01	1 PLACE ± 0.25 ± ---	CHECKED BY RDEROSS	DATE 04/09/27	MOLEX INCORPORATED		
		ANGULAR ± 1/2°		APPROVED BY RDEROSS	DATE 04/09/29	MATERIAL NO. SEE CHART	DOCUMENT NO. SD-83614-001	SHEET NO. 1 OF 1

THIS DRAWING CONTAINS INFORMATION THAT IS PROPRIETARY TO MOLEX INCORPORATED AND SHOULD NOT BE USED WITHOUT WRITTEN PERMISSION