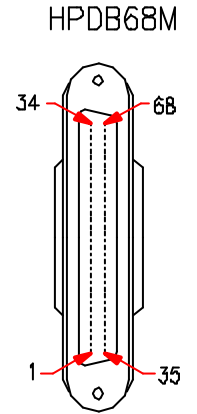
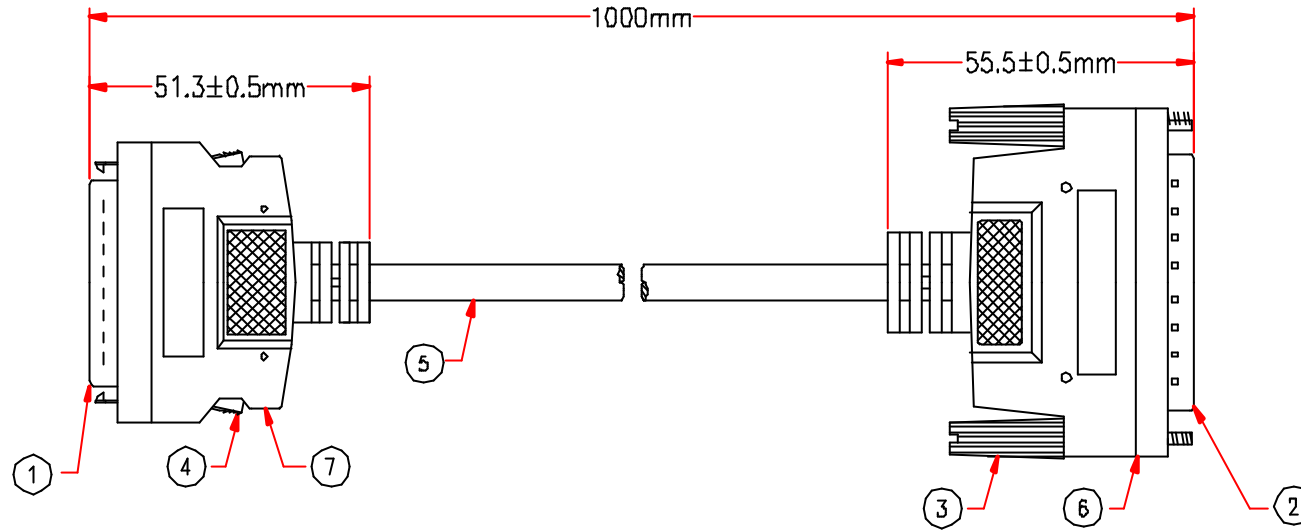


P1



P2

P1	P2	P1	P2
1	6	14	19
26	40	39	53
2	7	15	20
27	41	40	54
3	8	16	21
28	42	41	55
4	9	17	22
29	43	42	56
5	10	18	23
30	44	43	57
6	11	19	24
31	45	44	58
7	12	20	25
32	46	45	59
8	13	21	26
33	47	46	60
9	14	22	27
34	48	47	61
10	15	23	28
35	49	48	62
11	16	24	29
36	50	49	63
13	18	25	30
38	52	50	64
	SHIELD		SHIELD

7	PE HOOD COLOR TRANSPARENT	1	M304
	COPPER FOIL 7.5*35mm	1	M309
	COPPER FOIL 33*130mm	1	M309
	MOLDED PE COLOR TRANSPARENT		TWN
	MOLDED PVC LIGHT BEIGE		M304
6	PE HOOD COLOR TRANSPARENT	1	M304
	COPPER FOIL 7.5*35mm	1	M309
	COPPER FOIL 33*150mm	1	M309
	MOLDED PE COLOR TRANSPARENT		TWN
	MOLDED PVC LIGHT BEIGE		M304
5	UL2919 24 TWISTED PAIRS 28AWG, ALUM-MYLAR FOIL AND COPPER BRAID SHIELDING WITH DRAIN WIRE, QD 9.5mm, JACKET LIGHT BEIGE	1040mm	M2
4	LATCH	2	M110
3	MOLDED THUMBSCREW #2-56, LENGTH 41mm, LIGHT BEIGE	2	M95
2	HPDB68 MALE, GOLD FLASH ON CONTACTS, BLACK INSULATOR (0.75)	1set	MB3
1	HPDB50 MALE, GOLD FLASH ON CONTACTS, BLACK INSULATOR (0.75)	1set	M110
No.	DESCRIPTION	Q'TY	Supplier

ITEM NO.  
CS02400