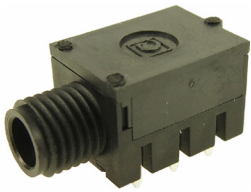


Sealed Mini Jack

multicomp^{PRO}

RoHS
Compliant



MP-FC67810



MP-FC67815

Description

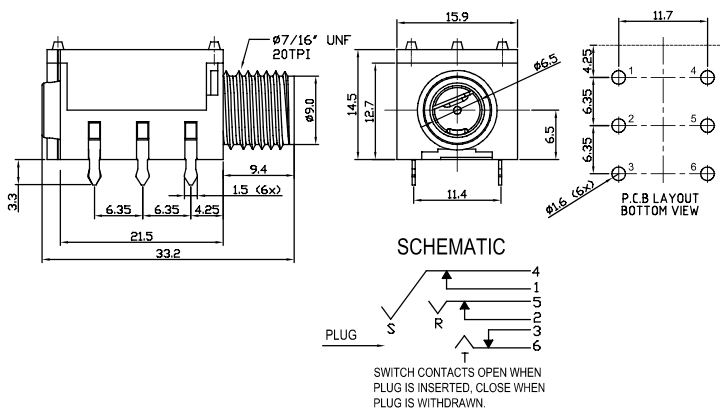
Many types of professional music equipment use high power components, and need to be cooled by fans. Fans draw in dust and pollutants which can adversely affect the contacts of conventional jacks, with exposed contacts. S1K avoids possibility of contamination of contacts by means of a sealing cover over the top and bottom of the jack. The height profile and PCB fitting are the same as our standard S1 jacks.

Specification

Withstand Voltage : 2000V DC Min.
 Maximum Current : 5A
 Temperature Rating : -10°C to +70°C
 Life >10000 operations : Contact resistance <100mΩ
 Initial Contact Resistance : <50mΩ
 IP Rating (with plug in) : IP50

Diagram

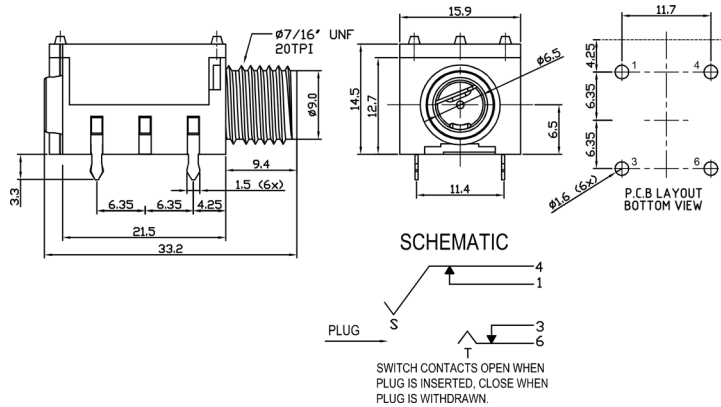
MP-FC67810



multicomp^{PRO}

Sealed Mini Jack

MP-FC67815



Dimensions : Millimetres

Part Number Table

Description	Part Number
Stereo Sealed Jack	MP-FC67810
Mono Sealed Jack	MP-FC67815

Important Notice : This data sheet and its contents (the "Information") belong to the members of the AVNET group of companies (the "Group") or are licensed to it. No licence is granted for the use of it other than for information purposes in connection with the products to which it relates. No licence of any intellectual property rights is granted. The Information is subject to change without notice and replaces all data sheets previously supplied. The Information supplied is believed to be accurate but the Group assumes no responsibility for its accuracy or completeness, any error in or omission from it or for any use made of it. Users of this data sheet should check for themselves the Information and the suitability of the products for their purpose and not make any assumptions based on information included or omitted. Liability for loss or damage resulting from any reliance on the Information or use of it (including liability resulting from negligence or where the Group was aware of the possibility of such loss or damage arising) is excluded. This will not operate to limit or restrict the Group's liability for death or personal injury resulting from its negligence. Multicomp Pro is the registered trademark of Premier Farnell Limited 2019.

Newark.com/multicomp-pro
 Farnell.com/multicomp-pro
 sg.element14.com/b/multicomp-pro