



L000488-02

Wi-Fi 6E Tri-Band Omni Array Antenna 2.4-2.5, 4.9-6.0, 6.0-7.125 GHz

L000488-02 is a 2.4-2.5, 4.9-6.0, 6.0-7.125 GHz tri-band omnidirectional array antenna especially designed to complement interior or exterior mounted Wi-Fi 6E wireless network systems.

The antenna is supplied with an integrated, plenum-rated RG58LL 914.4mm (36in) pigtail cable with RP-SMA connector for ease of installation.

Sealing permits either upright or inverted orientation in both indoor and outdoor locations. The antenna may also be ceiling, pole or I-beam-mounted, using the supplied hardware, to allow separation from the access point.

FEATURES AND BENEFITS

- Tri-Band Wi-Fi coverage including legacy Wi-Fi, Wi-Fi 6, Wi-Fi 6E and Wi-Fi 7
- High performance beam pattern
- Ceiling, I-beam or pole/mast mountable with supplied mounting hardware
- Suitable for upright or inverted orientations
 - Upright - Indoor & Outdoor Use
 - Inverted - Indoor Use Only

APPLICATIONS

- WLAN
- Wi-Fi - Wi-Fi 7 (802.11be), Wi-Fi 6E (802.11ax), Wi-Fi 6 (802.11ax), Wi-Fi 5 (802.11ac), Wi-Fi 4 (802.11n), 802.11b/g
- Automation and control
- Outdoor and indoor applications

ELECTRICAL SPECIFICATION

Operating Frequency (MHz)	2400-2500	4900-6000	6000-7125
VSWR - Average	<2.0:1		
Peak Gain - Max (dBi)	3.0	6.0	6.0
Total Efficiency Average (%)	68	57	57
Average 3 dB Beamwidth (°)	50	20	20
Input Max Power (W)	2		
Polarization	Linear, Vertical		
Azimuth Beamwidth (All Models)	360°, Omnidirectional		
Nominal Impedance (Ohms)	50		

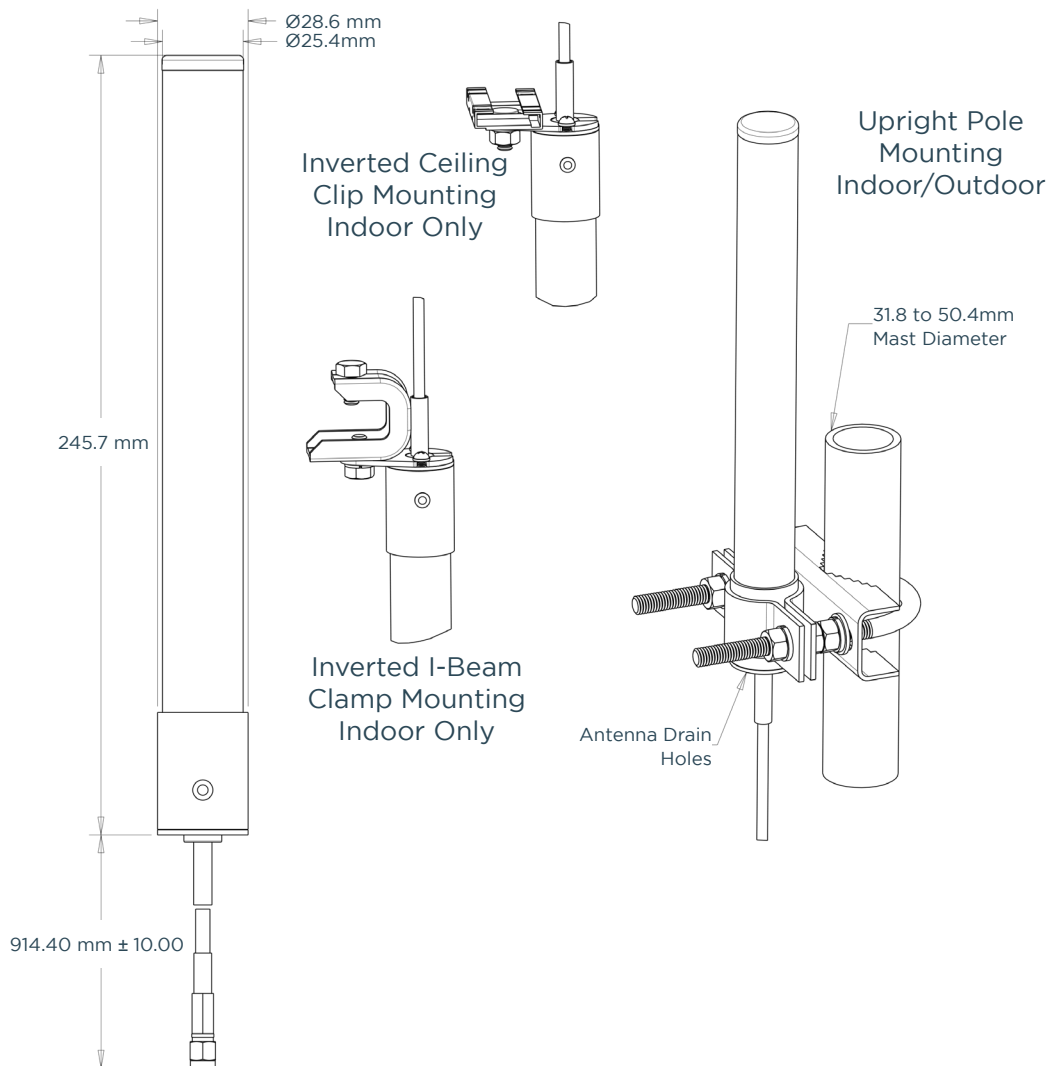
MECHANICAL SPECIFICATION

Dimensions - height x circumference - mm (in.)	245.7 x Ø28.6 (9.67 x Ø1.13)
Weight - g (lbs.)	120 (0.27)
Radome	Polycarbonate, UV (White)
Wind Loading mph (kph)	120 (193)
Vibration	IEC 60068-2-64 (Vibration, broad-band random)
Shock	IEC 60068-2-27
Earthquake	IEC 60068-2-6 [Fc]

ENVIRONMENTAL SPECIFICATION

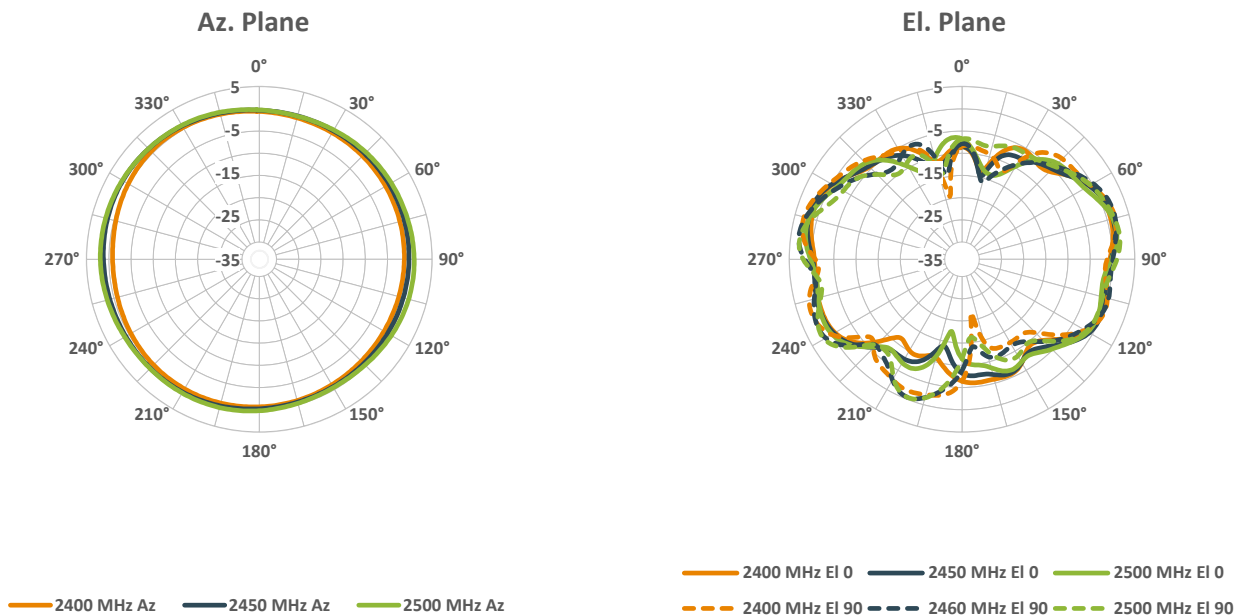
Operating Temperature - °C (°F)	-40 to +70°C (-40 to +158°F)
Storage Temperature - °C (°F)	-40 to +70°C (-40 to +158°F)
Material Substance Compliance	RoHS Compliant CE & UKCA

MECHANICAL DRAWINGS

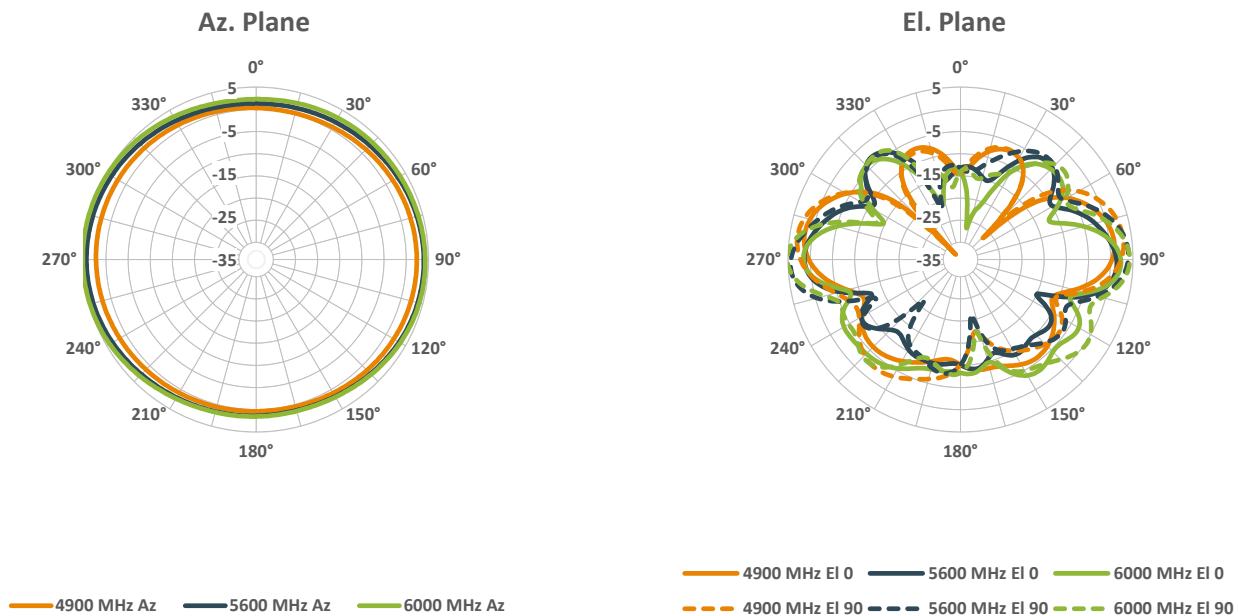


RADIATION PATTERNS

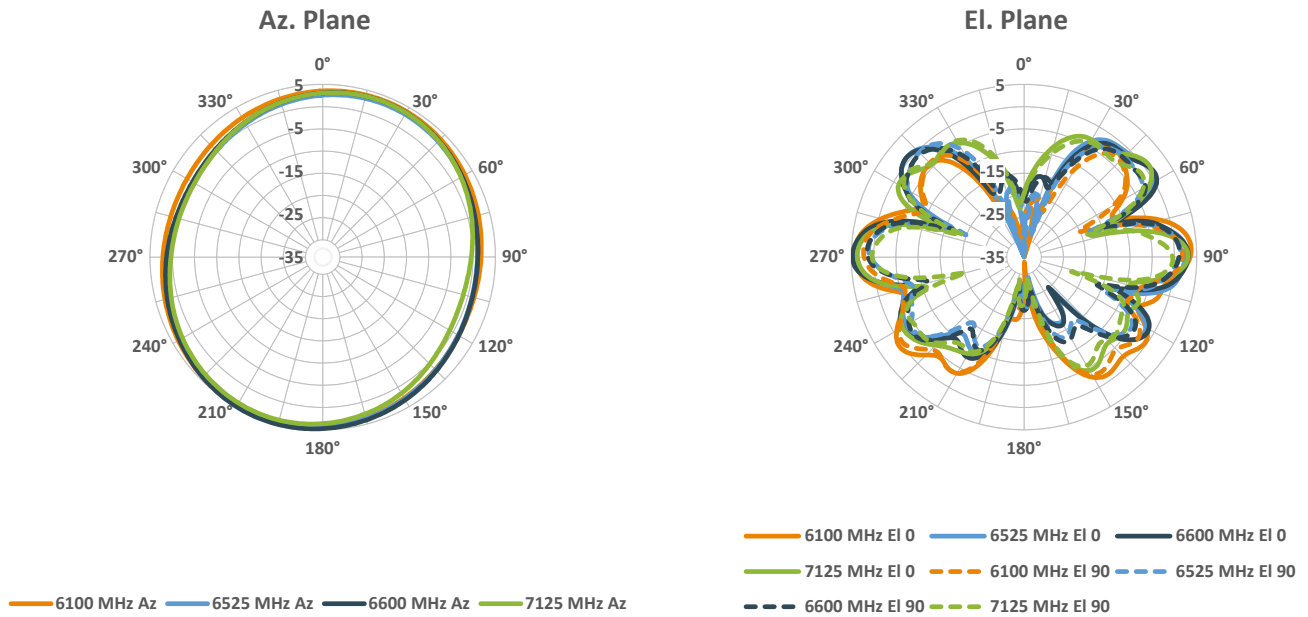
Radiation Patterns at 2.4 - 2.5 GHz



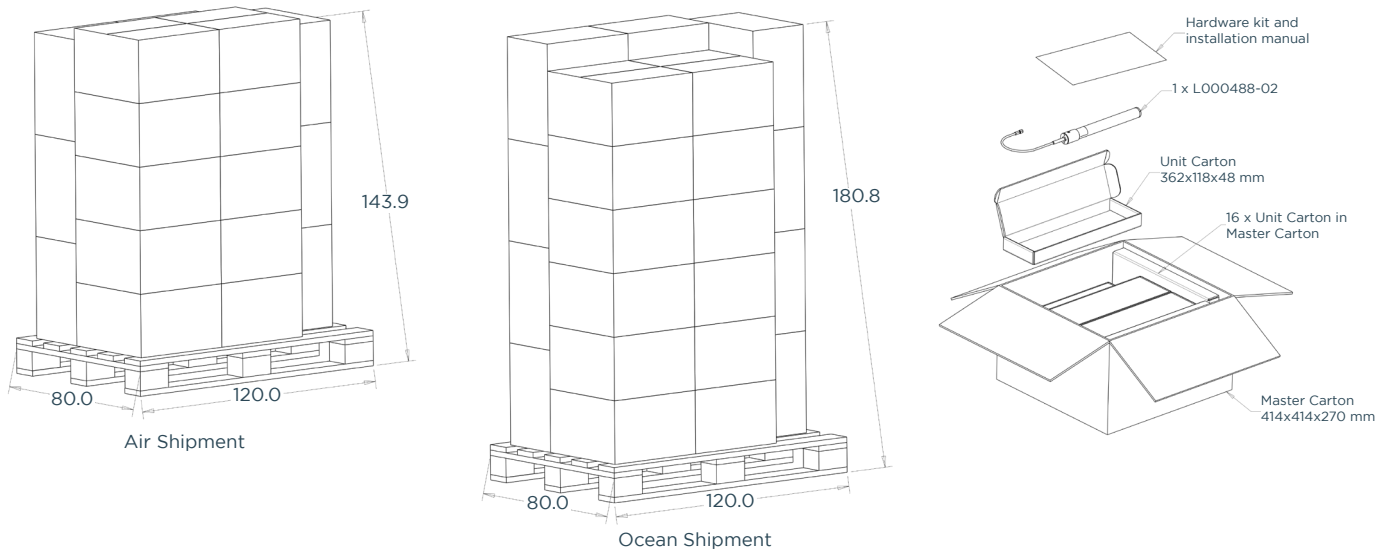
Radiation Patterns at 4.9 - 6.0 GHz



Radiation Patterns at 6.0 - 7.125 GHz



PACKING INFORMATION



PACKAGED DIMENSIONS	Unit Carton	MASTER CARTON	AIR PALLET	OCEAN PALLET
Number of Antennas	1	16	304	384
Height cm(in)	4.8(1.89)	27.0(10.63)	143.9(56.65)	180.8(71.18)
Length cm(in)	36.2(14.25)	41.4(16.30)	120.0(47.24)	120.0(47.24)
Width cm(in)	11.8(4.65)	41.4(16.30)	80.0(31.5)	80.0(31.5)
Est. Shipping Weight kg (lbs.)	0.565(1.25)	9.705(21.4)	196.4(433.0)	244.92(539.96)

TE TECHNICAL SUPPORT CENTER

USA:	+1 (800) 522-6752
Canada:	+1 (905) 475-6222
Mexico:	+52 (0) 55-1106-0800
Latin/S. America:	+54 (0) 11-4733-2200
Germany:	+49 (0) 6251-133-1999
UK:	+44 (0) 800-267666
France:	+33 (0) 1-3420-8686
Netherlands:	+31 (0) 73-6246-999
China:	+86 (0) 400-820-6015

te.com

TE, and TE connectivity (logo) are trademarks owned or licensed by the TE Connectivity Ltd. family of companies. All other logos, products and/or company names referred to herein might be trademarks of their respective owners.

The information given herein, including drawings, illustrations and schematics which are intended for illustration purposes only, is believed to be reliable. However, TE Connectivity makes no warranties as to its accuracy or completeness and disclaims any liability in connection with its use. TE Connectivity's obligations shall only be as set forth in TE Connectivity's Standard Terms and Conditions of Sale for this product and in no case will TE Connectivity be liable for any incidental, indirect or consequential damages arising out of the sale, resale, use or misuse of the product. Users of TE Connectivity products should make their own evaluation to determine the suitability of each such product for the specific application.

TE Connectivity warrants to the original end user customer of its products that its products are free from defects in material and workmanship. Subject to conditions and limitations TE Connectivity will, at its option, either repair or replace any part of its products that prove defective because of improper workmanship or materials. This limited warranty is in force for the useful lifetime of the original end product into which the TE Connectivity product is installed. Useful lifetime of the original end product may vary but is not to exceed one (1) year from the original date of the end product purchase.

©2023 TE Connectivity. All Rights Reserved.

11/23 Original