

## Category 6A STP connection box/cable joiner



### Category 6A STP connection box/cable joiner (SG78ep)

This Category 6A Cable Joiner has been designed for the extension, connection, relocation or repair of copper data cables, suitable for interior use. The IDC contacts can be terminated with standard tools but the innovative design allows rapid, easy, toolless termination.

#### **Features:**

- Meets Category 6A data transfer rates at permanent link level; backwards compatible for Cat 5e or Cat 6
- Quick, easy and reliable tool-less termination but also accepts termination with LSA+ or 110 type tools
- Suitable for solid cores 22-26 AWG
- Suitable for use with PoE+
- Supplied with adhesive mounting pad

#### **Specifications:**

- Net weight (including primary packaging): 28g
- Dimensions: (when packed): 60x35x30mm,
- Colour: Silver

**Materials:**

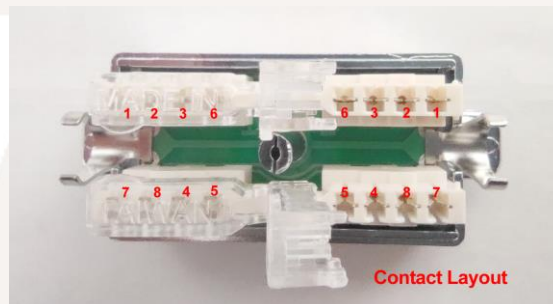
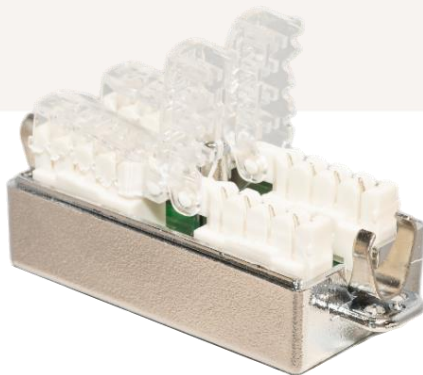
Body : Chromium-plated ABS  
PCB : FR-4/UL-94V0  
IDC Pin : Phosphor Bronze  
IDC Cap: Fireproof PC  
IDC Body: Fireproof ABS UL-94V0

**Packaging:** Supplied in individual poly bags

**Commodity code:** 85444920

**EAN:** 5055386511362

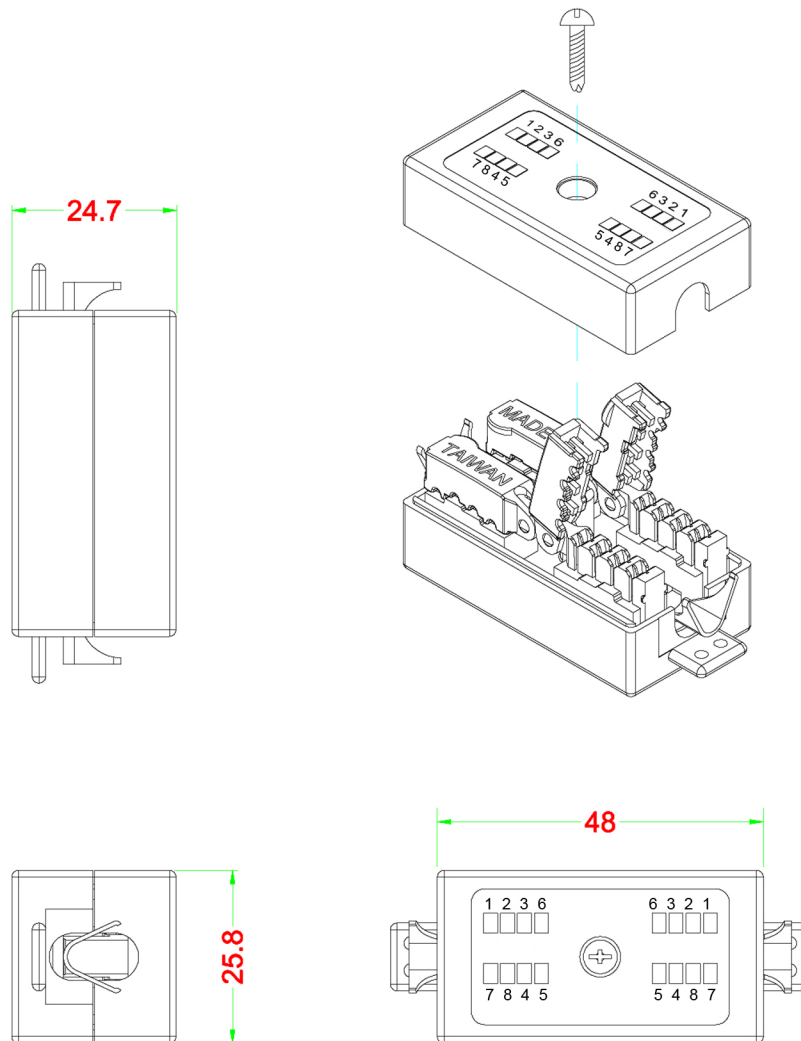
**Country of Origin:** Taiwan

**Illustrative images**

Terminating the SG78ep - video instructions <https://youtu.be/DQ9iLa1ZeNI>

ROHS Compliant

**Code: SG78ep**



**Performance:**

Meets C6A EIA/TIA 568C Standard.

**Materials:**

Body : ABS & Chromium Plated

PCB : FR-4 / UL-94V0

IDC Cap : Fireproof PC

IDC Body : Fireproof ABS UL-94V0

IDC Pin : Phosphor Bronze & Tinned

IDC Description : For 22-26 AWG.

For 110 or Krone punch-down Tool  
Toolless (when use IDC cap directly)

**Electrical Specifications:**

Insulation Resistance : 500M ohms (min.)

Contact Resistance : 20m ohms (max.)

Current Rating : 1.5 Amps

DC Resistance : 0.1 ohms (max.)

Withstanding Voltage : 1000 VAC RMS @ 60Hz / 1 min.

**Mechanical Specifications:**

IDC Punch Down Cycle : Over 250 cycles

Operation Temperature : -40 °C ~ +70 °C

TOLERANCE: X = 1 · X ± 0.2 · XX ± 0.15