



TW151 DC Blocked L-Band/GNSS 1 to 2 Signal Splitter

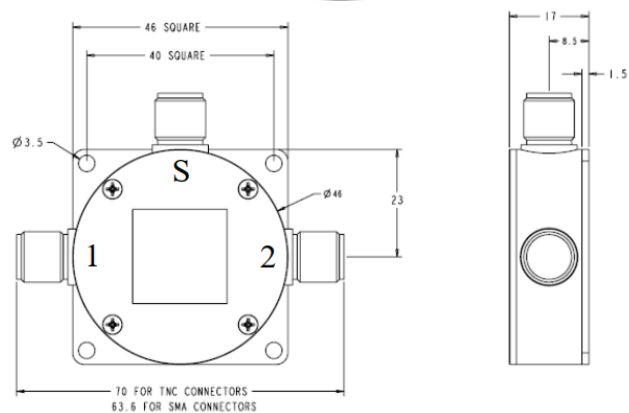
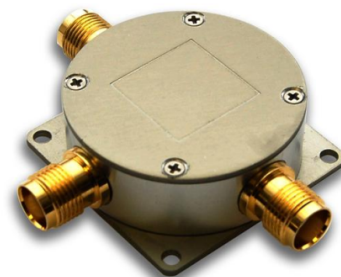
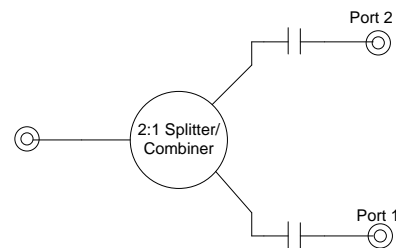
The TW151 is a professional grade DC blocked L-Band 1 to 2 Signal Splitter, suitable for a wide range of L-Band and all GNSS applications, including GPS L1, L2, L5 and GLONASS L1 & L2.

The TW151 splitter permits for two GNSS receivers to operate on one antenna, while blocking the DC voltage source on both receiver ports 1 and 2, suitable for applications with external DC voltage source.

The TW151 is housed in a robust weatherproof (IP67) clear anodized aluminum enclosure and is available with 3 x gold-plated SMA or TNC Jack (female) connectors.

Applications

- L-Band Signal Distribution
- GPS L1, L2 & L5 Signal Distribution
- GLONASS L1 & L2 Signal Distribution
- Galileo E1, E5 & E6 Signal Distribution



Features

- DC blocked on both receiver ports
- 1 to 2 GHz operating frequency
- Low insertion loss 1.0 dB over 3 GHz
- VSWR <1.25 typ.
- 50 Ohm port impedance
- Clear anodized aluminum, IP67 housing
- Gold-plated SMA or TNC Jack connectors
- RoHS Compliant

Benefits

- Allows for external DC source
- Allows use of two GNSS receivers on one antenna
- Compact form factor
- Fits in line with antenna cable
- Robust design
- Suitable for harsh environments



TW151 DC Blocked L-Band/GNSS 1 to 2 Signal Splitter Specifications

Electrical

• Operational Frequency	1 to 2 GHz
• VSWR (50Ω)	1.25 typ., 1.5 max
• Insertion Loss	1 dB over 3.0dB
• Supply Voltage	18 VDC max
• DC Voltage Block	Port 1 and 2
• High Port Isolation	>18 dB
• Amplitude Balance	0.5 dB max
• Phase Balance	2 degrees max

Mechanicals

• Size	1.81" L x 1.81"W x 0.669" H (46 mm L x 46 mm W x 17 mm H)
• Weight	100 g (0.22 lbs)
• Connectors	3 x SMA or 3 x TNC Jack
• Operating Temp. Range	-40 to +85 C
• Enclosure	Clear anodized aluminum, IP67 compliant
• Environmental	RoHS and REACH compliant
• Warranty	One year – parts and labour

Ordering Information

• TW151 – 1 to 2 L-Band/GNSS Splitter with SMA jacks	32-0151-0 *
• TW151– 1 to 2 L-Band/GNSS Splitter with TNC jacks	32-0151-1 *

* 25 mA DC load (DCL) option' if required by the receiver (TW153 or TW156)

Please contact Tallysman Wireless for additional information

Tallysman Wireless Inc

36 Steacie Drive
Ottawa ON K2K 2A9 Canada
Tel 613 591 3131
Fax 613 591 3121
sales@tallysman.com

The information provided herein is intended as a guide only and is subject to change without notice. This document is not to be regarded as a guarantee of performance. Tallysman Wireless Inc. hereby disclaims any or all warranties and liabilities of any kind. © 2013 Tallysman Wireless Inc. All rights reserved.