



FLYBACK TRANSFORMERS

ETD 34

60 to 80 W

- Ambient Temperature $\leq 50^{\circ}\text{C}$
- Primary Reflected Voltage = 90 to 120V
- Dielectric Strength $\geq 3750\text{Vac}$
- Creepage Distances $\geq 8\text{mm}$
- Construction conforms to CEI950, CEI335, CEI61558 for reinforced insulation
- Secondaries may be series or parallel connected
- Output power can be delivered with any combination of secondaries within the max current limits.

MYRRA Part N°	Control IC	Mains Voltage Range Vac	Total output Power (max) Watts	Outputs				Frequency kHz	Primary Inductance μH	Pinout	Remarks
				S1 or S3		S2 or S4					
				Voltage Range Vdc	Max Current Adc	Voltage Range Vdc	Max Current Adc				
74050	VIPer100A	185 - 265	80	4,5 - 6	5	11,5 - 15	3	70	500	Fig.1	
	VIPer100A	85 - 265	60	4,5 - 6	5	11,5 - 15	3	70			
	TOP226Y	185 - 265	80	3,3 - 6,5	5	9 - 16,5	3	100			
	TOP226Y	85 - 265	60	3,3 - 6,5	5	9 - 16,5	3	100			
	MC33373	185 - 265	80	4 - 6,5	5	10,5 - 16,5	3	100			
	MC33373	85 - 265	60	4 - 6,5	5	10,5 - 16,5	3	100			
	TDA16834	185 - 265	80	5 - 6	5	13 - 15,5	3	100			
	TDA16836	85 - 265	60	5 - 6	5	13 - 15,5	3	100			

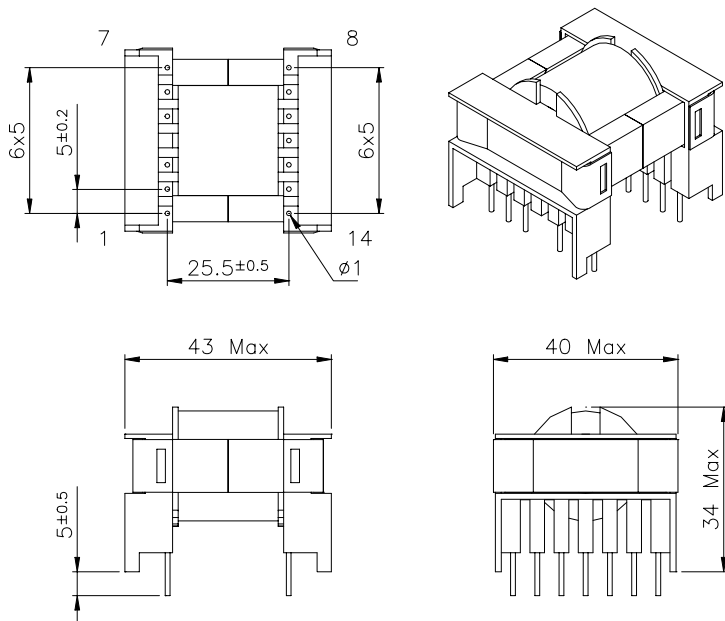
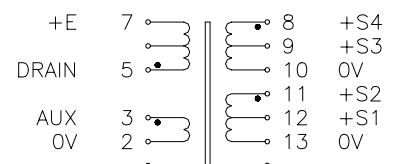


FIG.1

VIEW FROM PIN SIDE
PIN 4 REMOVED



PCB DRILLING DIAMETER 1.5mm