

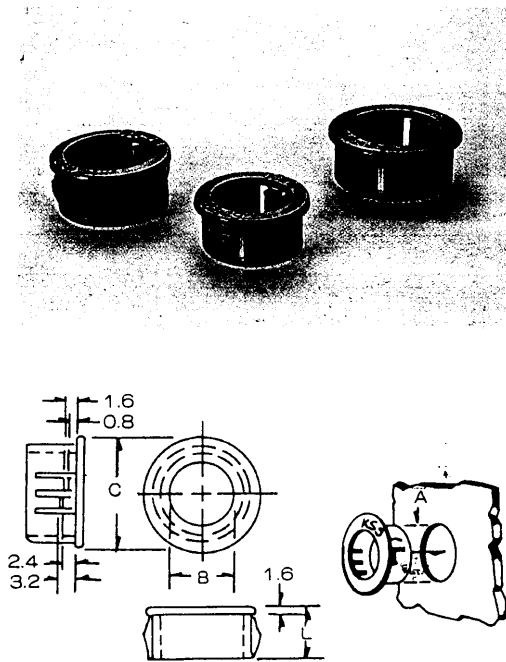
582 104

0710 SNAP BUSHING

- Material: UL approved NYLON 66, 94V-2 (Black)
- KSS SNAP BUSHING smooth and insulate your raw-edged holes in metal chassis.
- Locking into hole firmly with fingertip pressure.
- Protect electrical cables, ropes, utility lines through metal holes.
- Available in application for chassis thickness from 0.8mm to 3.2mm

Unit: mm

Item No.	Mounting Hole A	B	C	L	Packing
SB-8	7.9	5.2	9.4	8.0	100pcs
SB-10	9.5	6.3	12.0	10.3	
SB-13	13.0	8.2	14.5	10.3	
SB-16	15.9	12.2	18.6	10.3	
SB-19	18.9	14.3	21.5	10.3	
SB-22	22.0	17.3	23.8	11.5	
SB-26	25.1	19.1	28.0	11.5	
SB-30	29.7	24.1	32.5	11.5	



0713 OPEN / CLOSE SNAP BUSHING

- Material: UL approved NYLON 66, 94V-2 (Black)
- Protect power cord and smooth you chassis hole.
- For 0.8 to 3.2mm chassis.
- Finger-tip pressure to install. No tool is needed.
- Can be applied after power cable was installed.

Unit: mm

Item No.	Mounting Hole A	B	C	L	Packing
OSB-10	9.5	6.7	10.7	10.3	100pcs
OSB-13	12.7	8.0	14.2		
OSB-16	15.9	11.5	17.7		
OSB-19	19.0	13.1	20.2		
OSB-22	22.2	17.0	23.4		
OSB-26	25.5	20.2	27.0		

