

Quick start guide

PSoC™ 62S2 Wi-Fi Bluetooth® prototyping kit

CY8CPROTO-062S2-43439

Low-cost hardware platform that enables design and debug of PSoC™ 6 MCUs

1. Before you start :

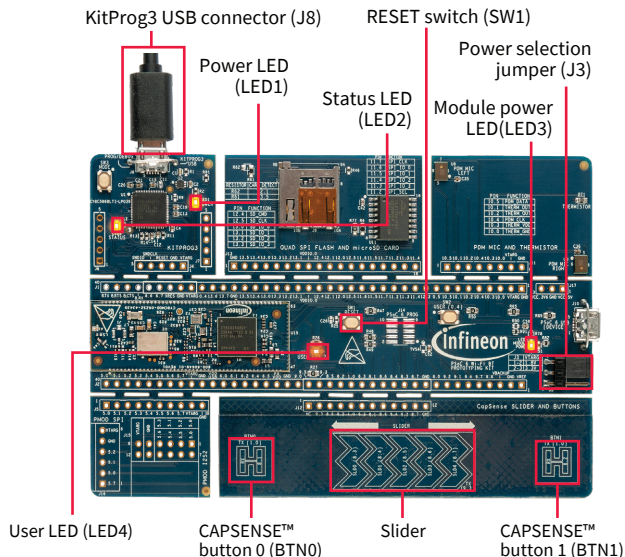
- Ensure that jumper J3 is at position 2–3 to select 3.3 V
- Connect the KitProg3 USB connector (J8) to your PC, using the provided USB cable
- Observe that the Power LEDs and KitProg3 status LED turn ON
- Wait for the KitProg3 USB driver installation to complete

2. Press the RESET switch (SW1) on the kit to execute the pre-programmed code example.

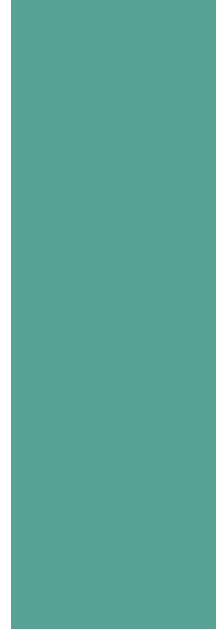
3. Touch CAPSENSE™ button 1 (BTN1) to turn the LED4 OFF, touch CAPSENSE™ button 0 (BTN0) to turn the LED4 ON, and swipe across the slider to change the LED brightness when the LED4 is in the ON state.

4. Visit the kit webpage to access the kit guide, and find information on software support, code examples.

Kit webpage: www.infineon.com/CY8CPROTO-062S2-43439



PSoC™ Rocks!





PSoC™ 62S2 Wi-Fi Bluetooth® prototyping kit

CY8CPROTO-062S2-43439



Contents under the label