

ALCOSWITCH PUSHBUTTON 22 mm EMERGENCY STOP SWITCH

ILLUMINATED AND NON-ILLUMINATED

INTRODUCTION

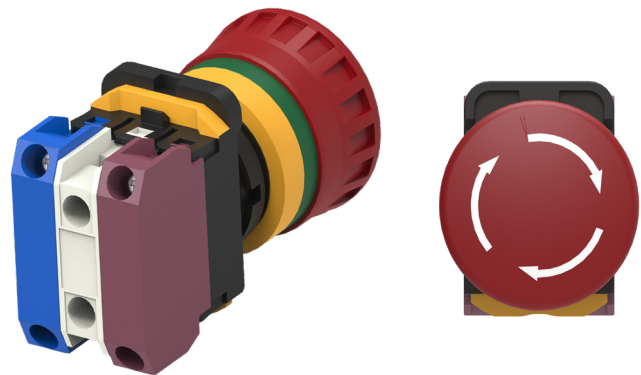
TE Connectivity (TE)'s ALCOSWITCH PBES22 series pushbutton emergency stop switch is offered in illuminated or non-illuminated styles. When mounted, the switch offers IP65 protection on the front of the panel. Easy to terminate screw terminals allow fast and virtually tool-free termination. Optional mounting plate is also available with this series.

FEATURES

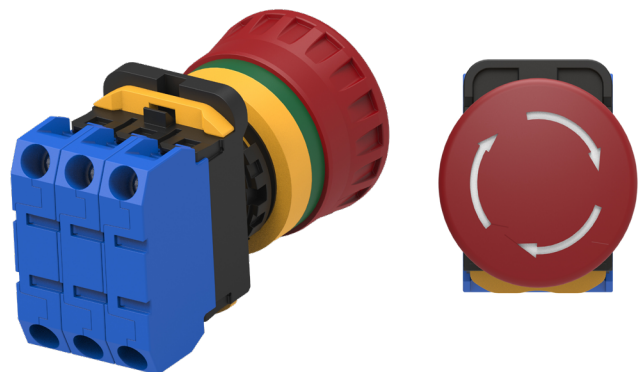
- IP65 rated front of panel
- IEC 60947-5-1 & IEC 60947-5-5
- 22 mm mounting hole
- Simple and easy mounting
- Contact blocks with screw terminals
- Gold plating
- Illuminated and non-illuminated styles
- LED & incandescent
- High actuation force

APPROVALS

- UL, CE & TUV agency approval



2416049



2416050

ALCOSWITCH Pushbutton 22 mm Emergency Stop Switch

Illuminated and Non-Illuminated

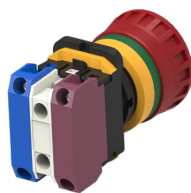
PRODUCT SPECIFICATION

Mechanical life	>100,000 Operations
Electrical life	>100,000 Operations
Motion tolerance	< 20 Operations/minute (mechanical and electrical life)
Degree of protection	Panel front: IP65 (IEC 60529) Contact block: IP20 (IEC 60529)
Panel thickness	0.8 mm to 6.0 mm (without anti-rotation ring or nameplate) 1.2 mm to 4.5 mm (with anti-rotation ring or nameplate)
Mounting torque	2 N-m
Maximum insulation voltage	2500 VAC @ 50/60 Hz, 10 mA, 1 minute
Insulation resistance	100 MΩ @ 500 VDC, 100 mA, 1 minute
Storage temperature	-45 °C to +85 °C
Operating temperature	-25 °C to +70 °C (Without lamp)
Contact resistance	≤ 100 mΩ, 1A, 6 to 8 VDC
Operating forces	Push - lock : 20N to 30 N, Pull - reset : 24N to 32 N Turn - reset 0.35 N-m, maximum
Operating travel	Push - lock 8±2 mm, Pull - reset : 4.6±1 mm Turn - reset CW 20°
Pollution degree	3
Wire diameter	16 to 14 awg, 1.5 mm ² to 2.5 mm ²
Min applicable load	3V AC/DC, 3 mA
Rated impulse withstanding voltage	2.5 kV
Conditional short-circuit current	1 Ka
Screw size for contact block	M3.5
Tightening torque for contact block	0.8 N-m

ELECTRICAL RATINGS

Rated insulation voltage (Ui)	600 V			
Conventional enclosed thermal current (I _{the})	10 A			
Rated operational voltage (U _e)	24 V	120 V	240 V	380 V
Utilization category	Rated operational current (I _e)			
AC-15	10 A	6 A	3 A	2 A
AC-12	10 A	6 A	6 A	2 A
DC-13	4 A	4 A	1 A	--
DC-12	8 A	8 A	2 A	--

SWITCH STYLES



2416049



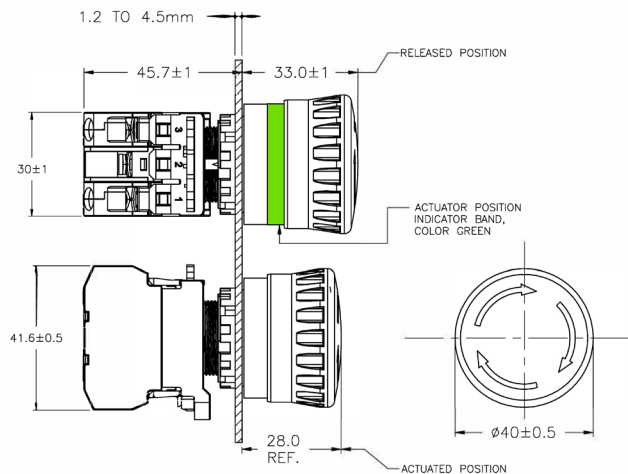
2416050

ALCOSWITCH Pushbutton 22 mm Emergency Stop Switch

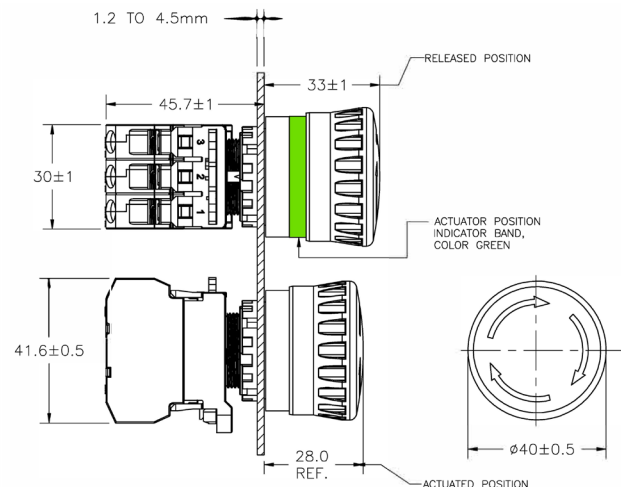
Illuminated and Non-Illuminated

2416049

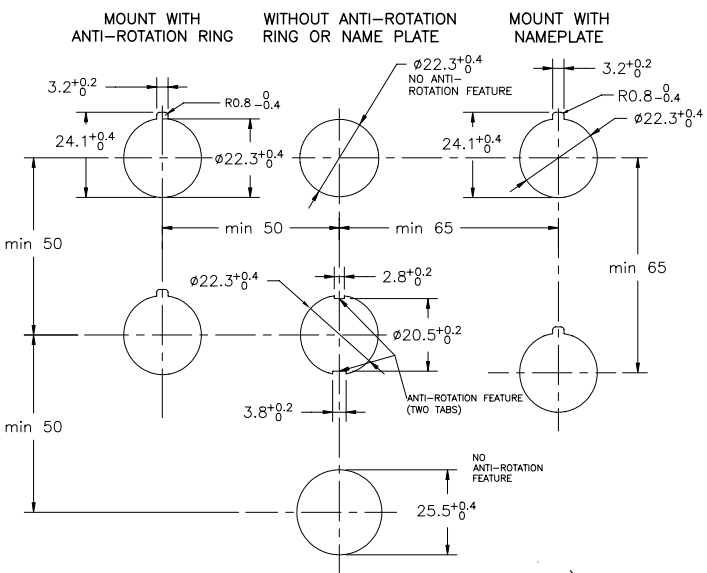
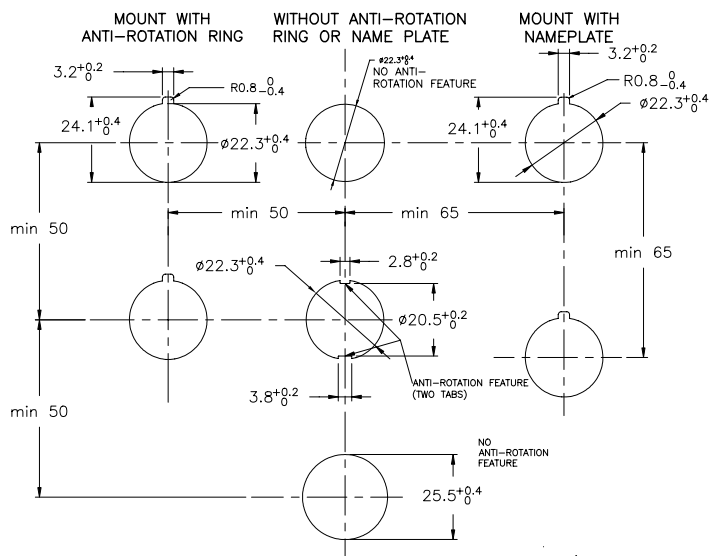
ACTUATOR BUTTON SHAPE (Unit: mm)



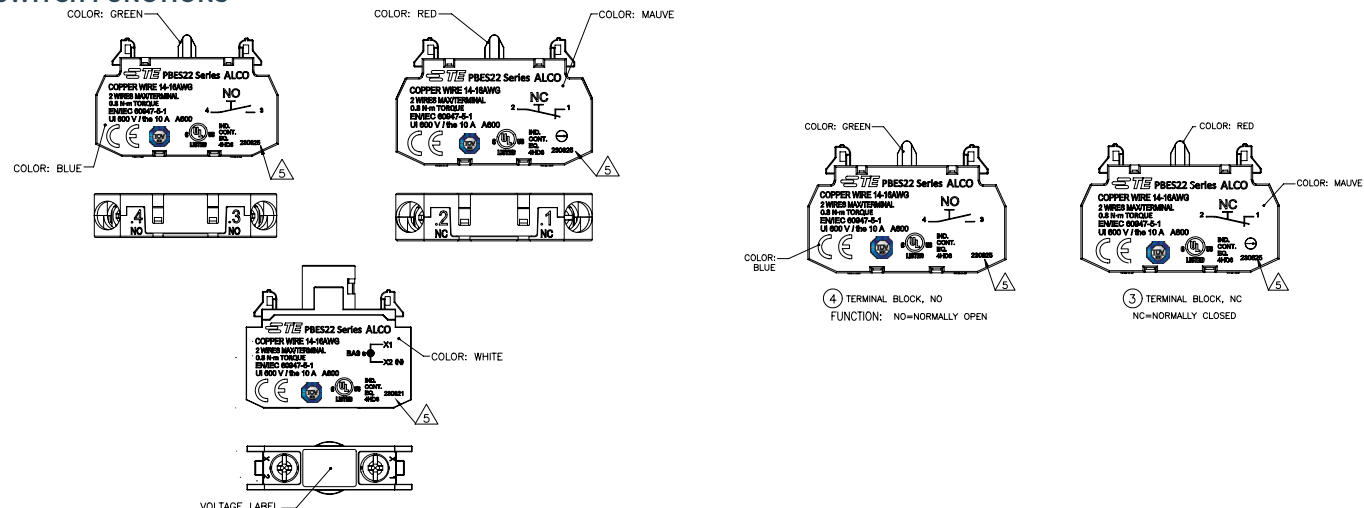
2416050



MOUNTING HOLE CONFIGURATIONS



SWITCH FUNCTIONS



Notes:

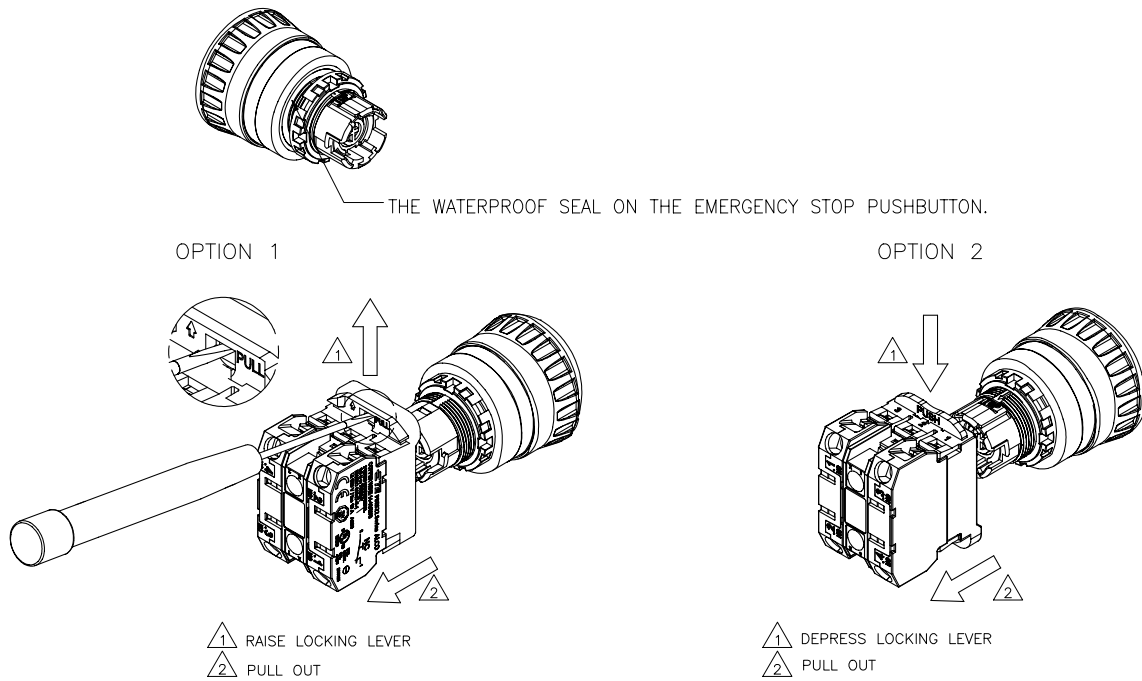
1. Dimensions in millimetres unless otherwise specified.
2. Dimensions shown for reference purposes only. Specifications subject to change.

ALCOSWITCH Pushbutton 22 mm Emergency Stop Switch

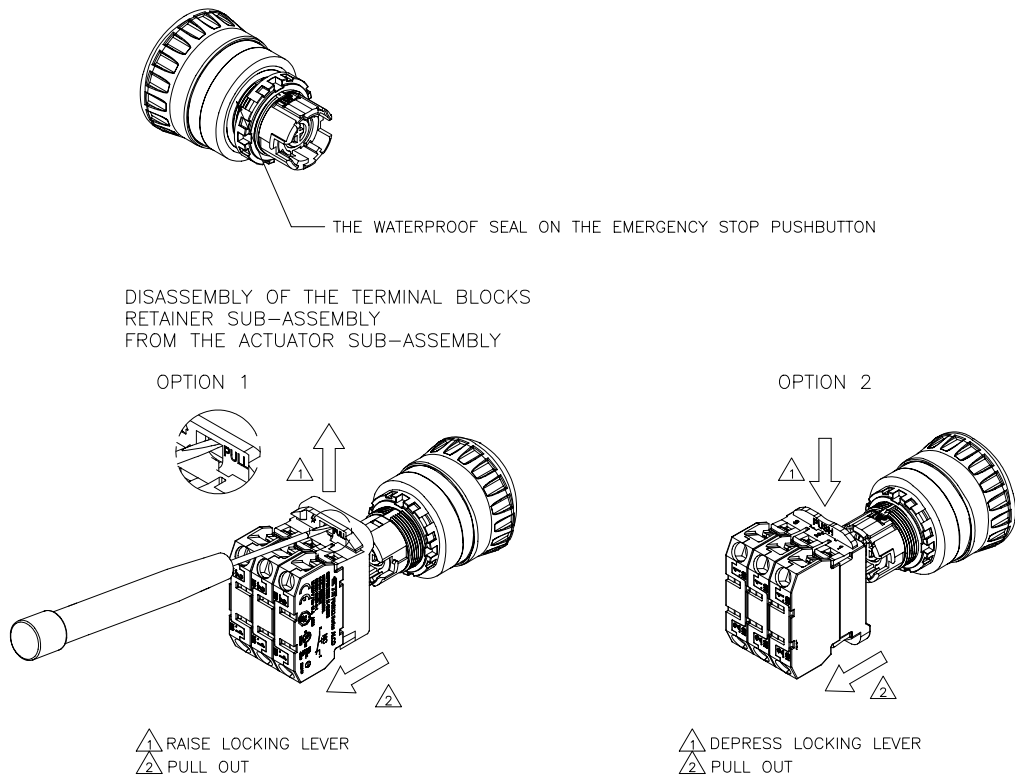
Illuminated and Non-Illuminated

INSTALLATION PROCEDURE

2416049



2416050



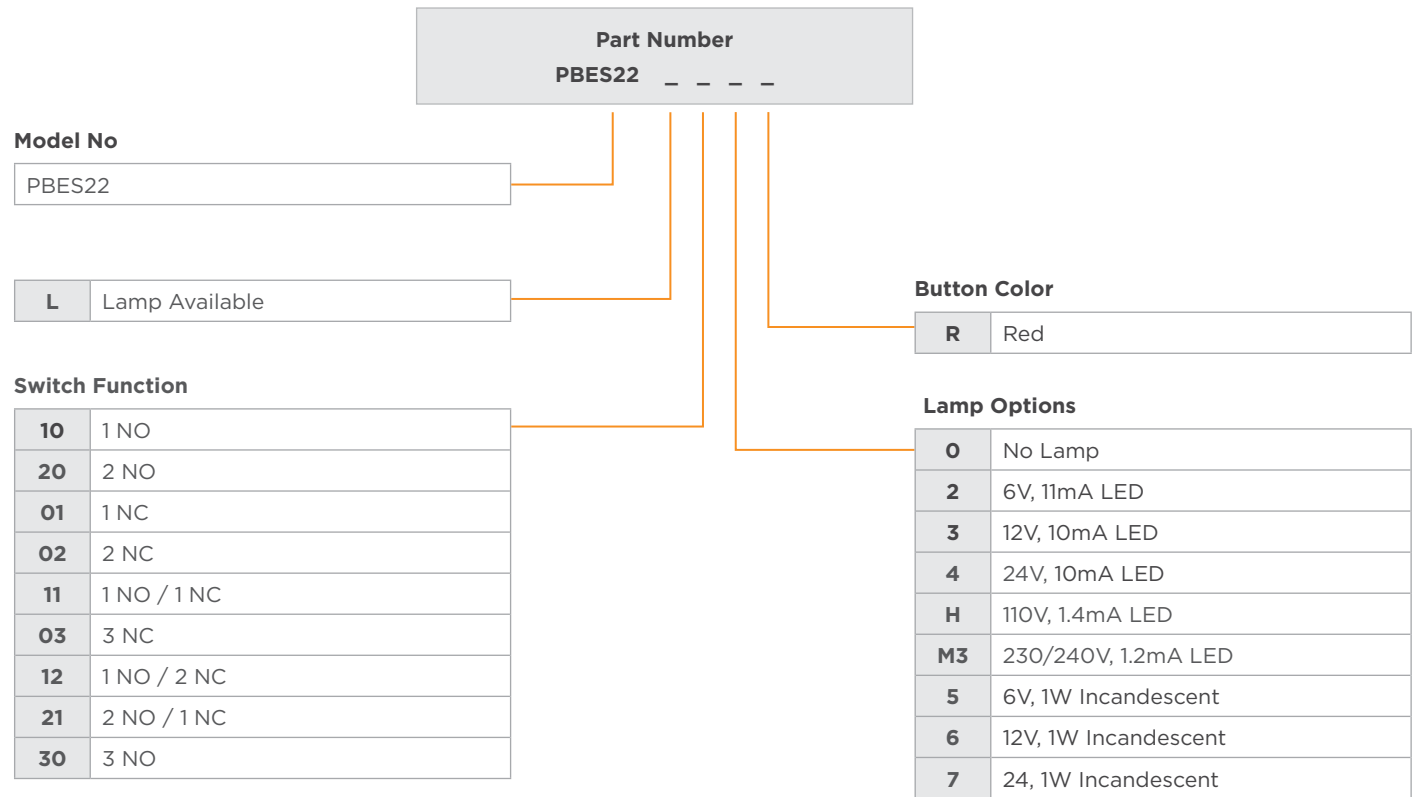
Notes:

1. Dimensions in millimetres unless otherwise specified.
2. Dimensions shown for reference purposes only. Specifications subject to change.

ALCOSWITCH Pushbutton 22 mm Emergency Stop Switch

Illuminated and Non-Illuminated

ORDERING INFORMATION



PART NUMBER LIST

TE Smart Part Number	TE Part Number	TE Smart Part Number	TE Part Number
2416050-1	PBES22N01R	1-2416049-0	PBES22L020R
2416050-2	PBES22N02R	1-2416049-1	PBES22L022R
2416050-3	PBES22N03R	1-2416049-2	PBES22L023R
2416050-4	PBES22N10R	1-2416049-3	PBES22L024R
2416050-5	PBES22N11R	1-2416049-4	PBES22L025R
2416050-6	PBES22N12R	1-2416049-5	PBES22L026R
2416050-7	PBES22N20R	1-2416049-6	PBES22L027R
2416050-8	PBES22N21R	1-2416049-7	PBES22L02HR
2416050-9	PBES22N30R	1-2416049-8	PBES22L02M3R
2416049-1	PBES22L010R	1-2416049-9	PBES22L100R
2416049-2	PBES22L012R	2-2416049-0	PBES22L102R
2416049-3	PBES22L013R	2-2416049-1	PBES22L103R
2416049-4	PBES22L014R	2-2416049-2	PBES22L104R
2416049-5	PBES22L015R	2-2416049-3	PBES22L105R
2416049-6	PBES22L016R	2-2416049-4	PBES22L106R
2416049-7	PBES22L017R	2-2416049-5	PBES22L107R
2416049-8	PBES22L01HR	2-2416049-6	PBES22L10HR
2416049-9	PBES22L01M3R	2-2416049-7	PBES22L10M3R

TE Smart Part Number	TE Part Number
2-2416049-8	PBES22L110R
2-2416049-9	PBES22L112R
3-2416049-0	PBES22L113R
3-2416049-1	PBES22L114R
3-2416049-2	PBES22L115R
3-2416049-3	PBES22L116R
3-2416049-4	PBES22L117R
3-2416049-5	PBES22L11HR
3-2416049-6	PBES22L11M3R

TE Smart Part Number	TE Part Number
3-2416049-7	PBES22L200R
3-2416049-8	PBES22L202R
3-2416049-9	PBES22L203R
4-2416049-0	PBES22L204R
4-2416049-1	PBES22L205R
4-2416049-2	PBES22L206R
4-2416049-3	PBES22L207R
4-2416049-4	PBES22L20HR
4-2416049-5	PBES22L20M3R

ACCESSORIES



Name Plate



Assembly Tool



Anti Rotation Ring

SI No.	TE Part Number	Description
1	2461019-1	Name Plate
2	2461020-1	Anti Rotation Ring
3	2461021-1	Assembly Tool

te.com

© 2023 TE Connectivity Ltd. family of companies. All Rights Reserved.

ALCOSWITCH, TE Connectivity, TE connectivity (logo) and Every Connection Counts are trademarks owned or licensed by the TE Connectivity family of companies. All other logos, products and/or company names referred to herein might be trademarks of their respective owners.

While TE has made every reasonable effort to ensure the accuracy of the information in this document, owned or licensed by the TE Connectivity family of companies. TE does not guarantee that it is error-free, nor does TE make any other representation, warranty or guarantee that the information is accurate, correct, reliable or current. TE reserves the right to make any changes to the information contained herein without prior notice. TE Connectivity assumes only those obligations set forth in the terms and conditions for this product and shall in no event be liable for any incidental, indirect, or consequential damages arising out of the sale, resale, use, or misapplication of the product. TE expressly disclaims any implied warranties with respect to the information contained herein, including, but not limited to, implied warranties of merchantability or fitness for a particular purpose. Dimensions, specifications and/or information contained herein are for reference purposes only and are subject to change without notice. Consult TE for the latest dimensions, specifications and/or information. Users of TE Connectivity products must make their own assessment as to whether the respective product is suitable for the respective desired application.

11/23 ED