



## EX-EBG311.0

- Empty enclosure in V4A
- Version with 1 fitting hole for installation  $\varnothing$  22.3 mm
- incl. 1 cable gland M20 x 1.5

## Data

### Ordering data

Product type description	EX-EBG311.0
Article number (order number)	101197404
EAN (European Article Number)	4030661498881
eCl@ss number, version 12.0	27-37-12-05
eCl@ss number, version 11.0	27-37-12-05
eCl@ss number, version 9.0	27-37-12-05
ETIM number, version 7.0	EC000200
ETIM number, version 6.0	EC000200

### Approvals - Standards

Certificates	TÜV IEC Ex
--------------	---------------

### General data

Gross weight	650 g
--------------	-------

### Ordering code

Product type description:  
EX-EBG(1).O

(1)

<b>311</b>	incl. 1 cable gland M20 for cable section 7 ... 12 mm
<b>633</b>	incl. 1 cable gland M25 for cable section 13 ... 18 mm
<b>665</b>	incl. 2 cable glands M25 for cable section 13...18 mm and 1 locking screw

## Pictures

### Product picture (catalogue individual photo)



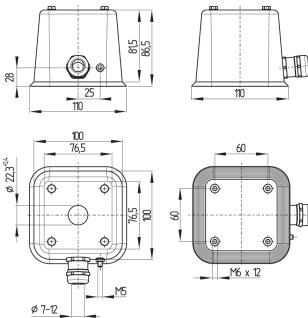
ID: knbg3f07

| 26.4 kB | .png | 74.083 x 71.614 mm - 210 x 203 px - 72 dpi

| 223.0 kB | .jpg | 364.419 x 352.778 mm - 1033 x 1000 px - 72 dpi

| 34.8 kB | .jpg | 123.472 x 119.592 mm - 350 x 339 px - 72 dpi

### Dimensional drawing basic component

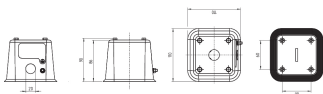


ID: kebg1g01

| 7.0 kB | .png | 74.083 x 72.672 mm - 210 x 206 px - 72 dpi

| 208.5 kB | .jpg | 352.778 x 345.369 mm - 1000 x 979 px - 72 dpi

### Dimensional drawing basic component



ID: kebg1g02

| 1.2 MB | .ai | 349.303 x 104.157 mm - 990 x 295 px - 72 dpi

| 61.2 kB | .jpg | 352.778 x 148.872 mm - 1000 x 422 px - 72 dpi

Schmersal Ltd., Sparrowhawk Close, WR14 1GL Malvern

The details and data referred to have been carefully checked. Images may diverge from original. Further technical data can be found in the manual. Technical amendments and errors possible.

Generated on: 05/02/2024, 09:07