

Please note that the data given here has been taken from the online catalog. For comprehensive information and data, please refer to the user documentation at <http://www.download.phoenixcontact.com>. The General Terms and Conditions of Use apply to Internet downloads.

▶ Extract from the online catalog



The illustration shows the housing versions

Order No.	2713939
Ord designation	ME MAX 22,5 3-3 KMGY
EAN	4017918936259
Pack	10 Pcs.
Customs tariff	85369010
Weight/Piece	0,06466 KG
Catalog page information	Page 139 (NTK-2005)

▶ Product notes

WEEE/RoHS-compliant since: 04/12/2005



IMPORTANT : This date is valid for Customers in Germany only. Date Format is MM/DD/YYYY. Please contact your local in-country Phoenix Contact location or designated business partner for a Logistics Compliant date in your area. In order to guarantee delivery of RoHS-Compliant product, please purchase Phoenix Contact parts from authorized Phoenix Contact representatives and distributors.

ME MAX 22,5 3-3 KMGY



▶ **Technical data**

General

Housing material	PA 6.6
Color	light gray

Dimensions / positions

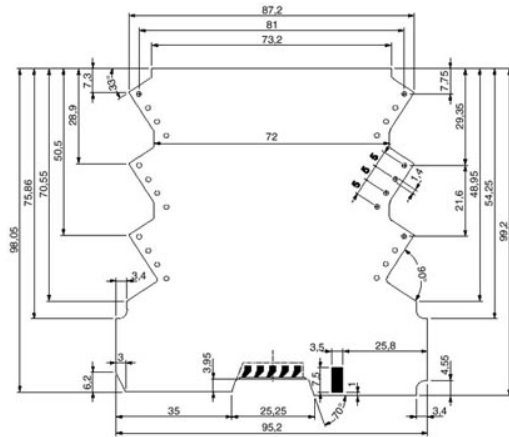
Length	99 mm
Constructional height	114.5 mm
Width	22.5 mm
Number of positions	24

Technical data

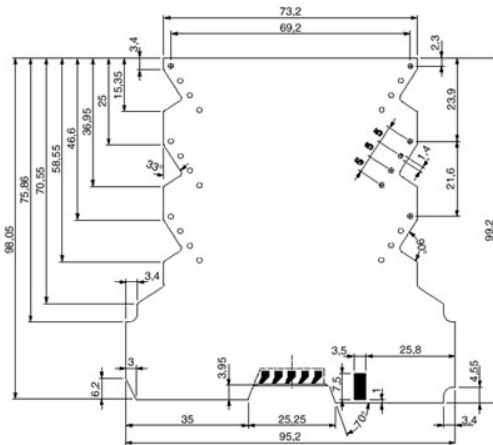
Inflammability class acc. to UL 94	V0
------------------------------------	----

► Drawings

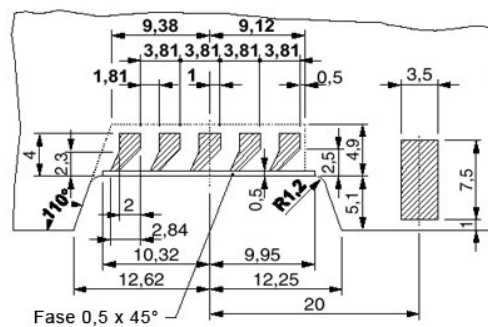
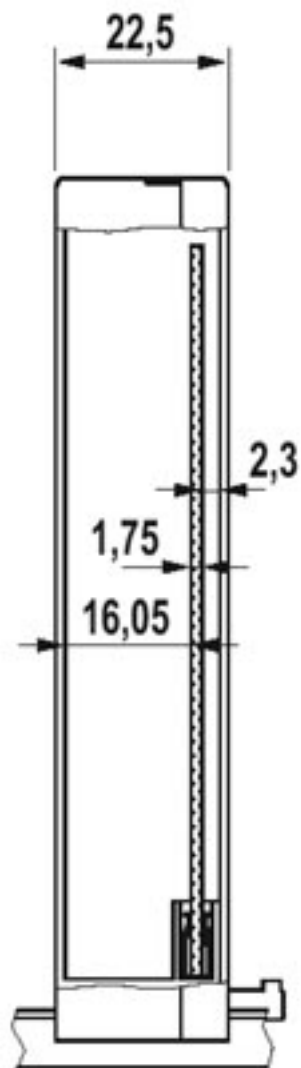
Dimensioned drawing



Dimensional drawing of the ME MAX 3-3 printed circuit board, for printed circuit terminal block connection (MKDSO), view: component side



Dimensional drawing of the ME MAX 3-3 printed circuit board for plug connection (MSTBO), view: component side



Detailed dimensional drawing of the mounting rail bus connector contact pads

► Accessories

Item	Designation	Description
General		
0813789	BMKLT 14X12 WH	Label sheet for laser printer, rounded label corners, sheet format: DIN A4, 1 sheet , labeling field: 14 x 12 mm, color: White
2713722	ME 22,5 TBUS 1,5/ 5-ST-3,81 KMGY	DIN rail bus connector, 5-pos., color: Light gray
2707929	ME MAX B-22,5 KMGY	Cover cap for unoccupied terminal points, color: Light gray
2713777	ME MAX LP SAMPLE MSTBO 2-2	PCB, for custom fitting for COMBICON connection system
2713751	MKDSO 2,5/4-6 SET KMGY	
2713764	MSTBO 2,5/4-6 ST SET KMGY	Kit consisting of COMBICON header and screw connectors for 6 x 4 positions (24-pos.), color: Light gray
Plug/Adapter		
2908294	ME FE-CONTACT	Functional earth ground contact, for intermediate elements.

► Address

PHOENIX CONTACT GmbH & Co. KG
Flachsmarktstr. 8
32825 Blomberg
Germany
Phone +49 5235 3 00
Fax +49 5235 3 41200
<http://www.phoenixcontact.com>
Phoenix Contact
Technical modifications reserved;