

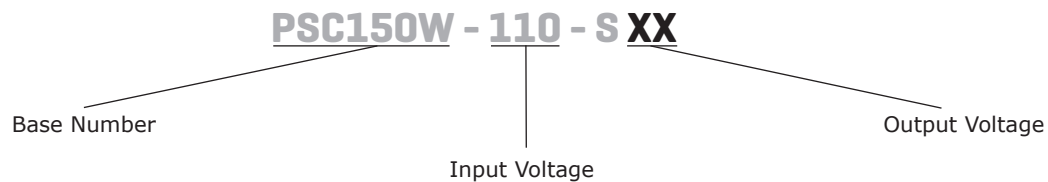
SERIES: PSC150W | DESCRIPTION: DC-DC CONVERTER
FEATURES

- 150 W isolated output
- industry standard 1/4 brick package
- 12:1 input range (14~160 Vdc)
- over current, over temperature, over voltage, short circuit, and input UVLO protections
- remote on/off, output voltage trim, output remote voltage sense
- base plate cooling
- wide operating temperature range (-40 ~ +105°C)
- EN/IEC 62368 certified
- meets EN 50155 and EN 45545-2 railway standards



MODEL	input voltage range (Vdc)	output voltage (Vdc)	output current max (A)	output power max (W)	ripple and noise ¹ max (mVp-p)	efficiency ² typ (%)
PSC150W-110-S12	14~160	12	12.5	150	200	88.5
PSC150W-110-S24	14~160	24	6.25	150	240	87.5
PSC150W-110-S48	14~160	48	3.125	150	480	87.5
PSC150W-110-S54	14~160	54	2.778	150	540	87.5

Note: 1. Ripple and noise are measured at 20 MHz BW with 4.7μF*6 capacitor.
 2. At nominal input and full load.
 3. All specifications are measured at Ta=25°C, nominal input voltage and full output load unless otherwise specified.

PART NUMBER KEY


INPUT

parameter	conditions/description	min	typ	max	units
operating input voltage		14	110	160	Vdc
no load input current				15	mA
surge voltage	0.1s max			200	Vdc
under voltage shutdown	0% ~ 100% load		12		Vdc
capacitance filter	Pi filter				
remote on/off	models ON: (Pin open or 3V < Vr < 12V) models OFF: (Short or 0V < Vr < 1.2V)				
capacitance filter	Pi filter				

OUTPUT

parameter	conditions/description	min	typ	max	units
maximum capacitive load ⁴	12 Vdc output models			5,000	μF
	24 Vdc output models			2,000	μF
	48 & 54 Vdc output models			1,000	μF
line regulation	measured from high line to low line		±0.2		%
load regulation	measured from 0% ~ 100% load		±0.5		%
start-up voltage	0% ~ 100% load			13.2	Vdc
start-up time	at 100% load, nominal Vin	100		300	ms
voltage accuracy			±1		%
switching frequency	at 100% load, Vin range		250		kHz
voltage adjustability	0% ~ 100% load at Vin range Pout ≤ max rated power		±10		%
transient response	75 ~ 100% step load change		500		μs
temperature coefficient				±0.05	%/°C

Note: 4. The capacitive load is test by minimum input and constant resistive load.

PROTECTIONS

parameter	conditions/description	min	typ	max	units
over current protection	at 110 Vdc		150		%
over voltage protection	12 Vdc ouptut model, at 110 Vdc	13.4		18.0	Vdc
	24 Vdc ouptut model, at 110 Vdc	26.9		36.0	Vdc
	48 Vdc ouptut model, at 110 Vdc	53.8		72.0	Vdc
	54 Vdc ouptut model, over voltage 112~150% Vdc	60.5		81.0	Vdc
short circuit protection	auto recovery, continuous				
over temperature protection	case temperature			115	°C

SAFETY AND COMPLIANCE

parameter	conditions/description	min	typ	max	units
isolation voltage	input to output, for 1 minute, 5 mA max	3,000			Vac
	input or output to case (base plate), for 1 minute, 5 mA max	1,500			Vac
isolation capacitance				3,000	pF
safety approvals	certified to 62368: EN, IEC				
EMI ⁵	EN50121-3-2/ EN55032 Class A/B				
ESD	EN 61000-4-2, air ±8kV, contact ±6kV, Criteria A				
radiated immunity	EN 61000-4-3, 10V/m, Criteria A				
conducted immunity	EN 61000-4-6, 10Vrms, Criteria A				
fast transient ⁶	EN 61000-4-4, ±2kV, perf. criteria A				

SAFETY AND COMPLIANCE

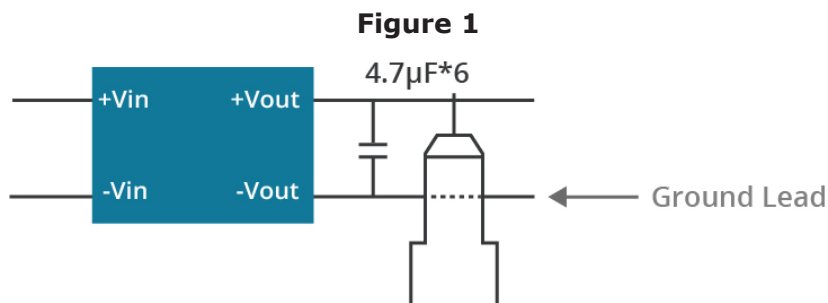
parameter	conditions/description	min	typ	max	units
surge ⁶	EN61000-4-5, ±2kV, perf. criteria A				
magnetic field immunity	EN 61000-4-8, 10 A/m, perf. criteria A				
MTBF	at 25°C	185,000			hours
RoHS	yes				

Note: 5. The EMI need external filter circuit for class A/B.
6. External input capacitor required 100µF/200V x3.

ENVIRONMENTAL

parameter	conditions/description	min	typ	max	units
operating temperature	baseplate temperature, see derating curve	-40		105	°C
storage temperature		-55		125	°C
humidity	non condensing	5		95	%
operating altitude				4,000	m
cooling method	natural convection				

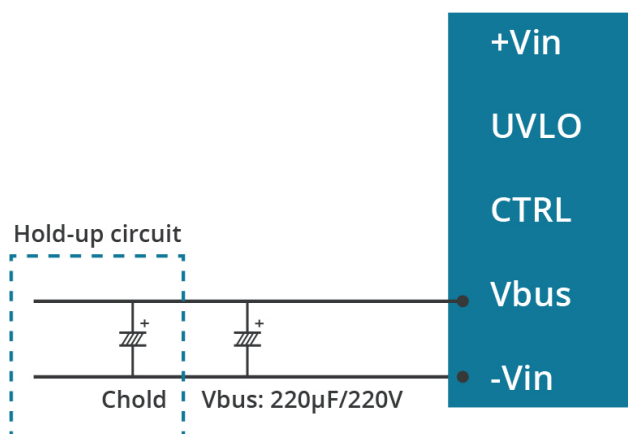
RIPPLE AND NOISE



Note: Measured with 20MHz bandwidth and 4.7µF *6 ceramic capacitor.

HOLD UP TIME

Figure 2



VBUS (+) VS INPUT VOLTAGE

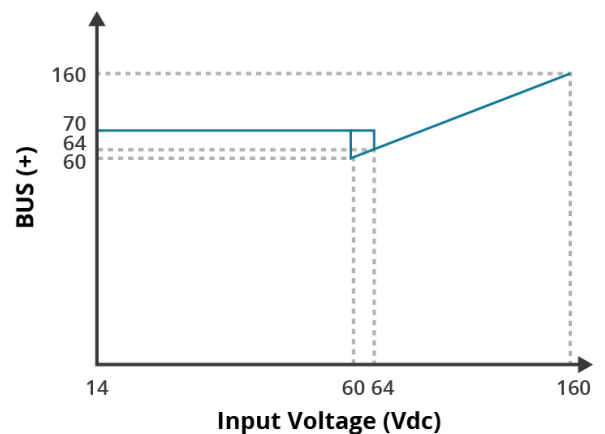


Table 1

Vin	24 V	36 V	48 V	72 V	96 V	110 V
10 ms	1,800 µF	1,800 µF	1,800 µF	1,800 µF	600 µF	500 µF
30 ms	4,800 µF	4,800 µF	4,800 µF	4,800 µF	1,800 µF	1,200 µF

UVLO EXTERNAL RESISTOR

Figure 3

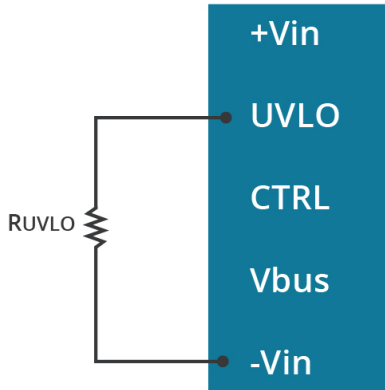


Table 2

UVLO External resistor R_{UVLO} (Ω)	Open	125 K	62 K	27 K
Turn-off treshold	12 V	19.9 V	26.3 V	39.8 V
Turn-on treshold	13.1 V	20.9 V	27.9 V	42 V

Note: The under voltage threshold can set by external resistor placed between the UVLO and -Vin.

EMC CLASS A RECOMMENDED CIRCUIT

Figure 4

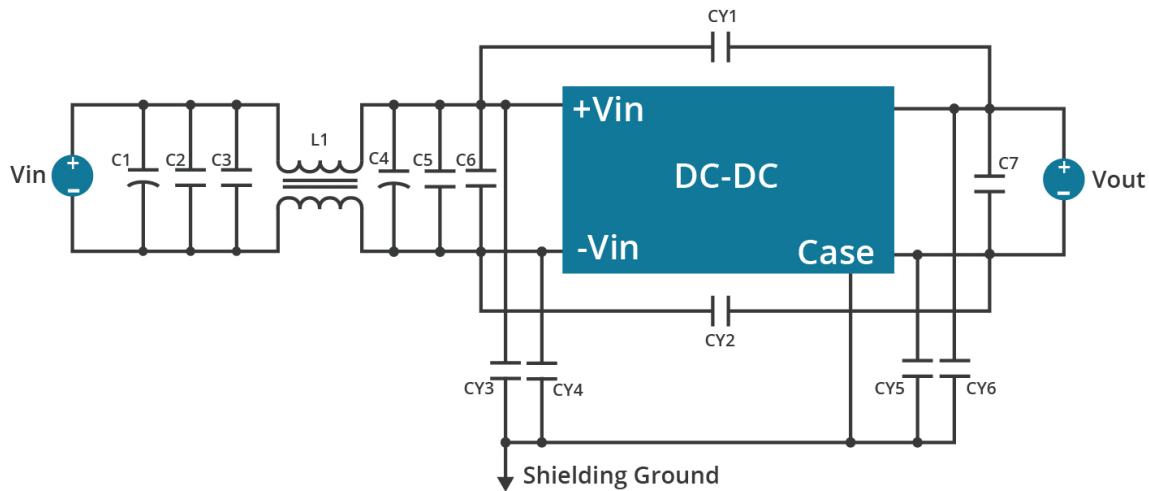


Table 3

Vout	C1, C4	C2, C3, C5, C6	C7	CY1, CY2	CY3, CY4, CY5, CY6	L1
12 V	100 μ F 200V Aluminum Cap	0.68 μ F 1210 250V Ceramic Cap	4.7 μ F 1210 100V x 6 parallel Ceramic Cap	1000pF 2211 5KV Ceramic Cap	1200pF 2211 3KV x 4 parallel Ceramic Cap	Commom Choke A10 2.0mH \pm 35%
24 V	220 μ F 200V Aluminum Cap	0.68 μ F 1210 250V Ceramic Cap	4.7 μ F 1210 100V x 6 Parallel Ceramic Cap	1000pF 2211 5KV Ceramic Cap	1200pF 2211 3KV x 4 parallel Ceramic Cap	Commom Choke A10 2.0mH \pm 35%
48 V	220 μ F 200V Aluminum Cap	0.68 μ F 1210 250V Ceramic Cap	4.7 μ F 1210 100V x 6 Parallel Ceramic Cap	1000pF 2211 5KV Ceramic Cap	1200pF 2211 3KV x 5 parallel Ceramic Cap	Commom Choke A10 2.0mH \pm 35%
54 V						

EMC CLASS B RECOMMENDED CIRCUIT

Figure 5

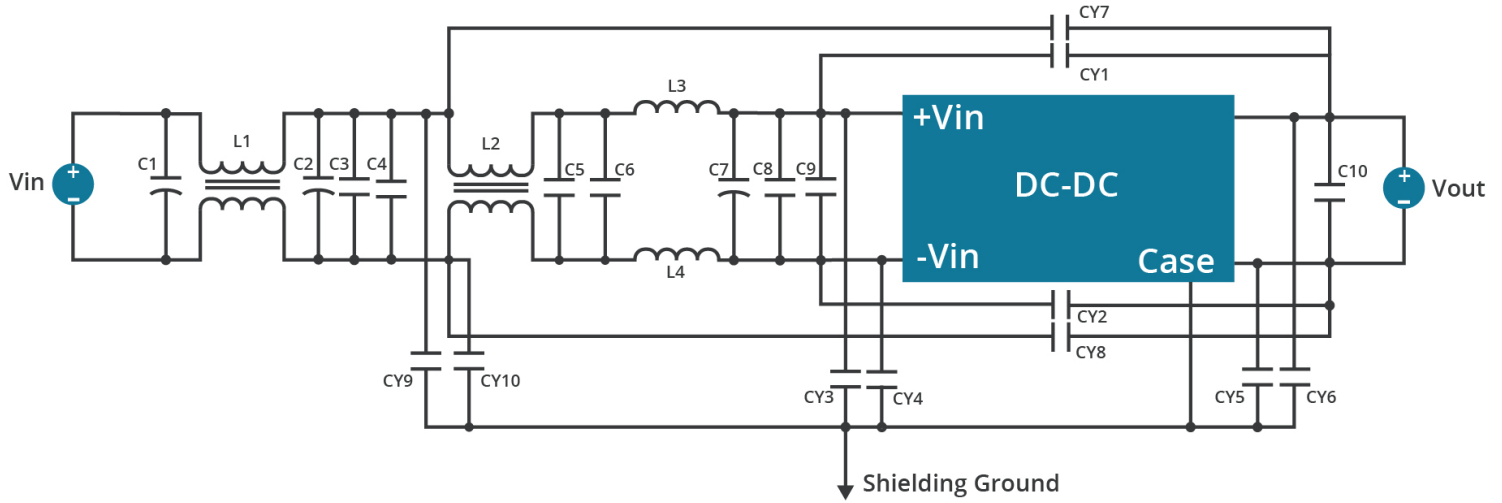


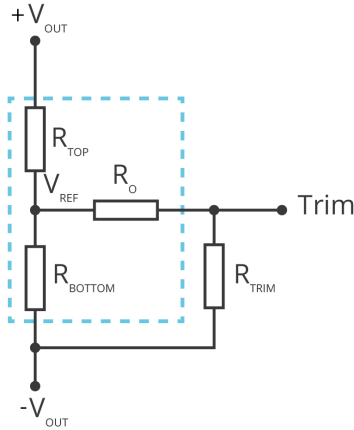
Table 4

Vout	C1, C2, C7	C3, C4, C5, C6, C8, C9	C10	CY1	CY2	CY3, CY4, CY5, CY6	CY7, CY8	CY9, CY10	L1, L2	L3, L4
12 V	100µF 200V Aluminum Cap	0.68µF 1210 250V Ceramic Cap	4.7µF 1210 100V x 6 parallel Ceramic Cap	2200pF 2211 5KV Ceramic Cap	1000pF 2211 5KV Ceramic Cap	2200pF 2211 3KV x 4 parallel Ceramic Cap	470pF 2211 5KV Ceramic Cap	-	Commom Choke A10 2.0mH ±35%	4.7µH
24 V 48 V 54 V	100µF 200V Aluminum Cap	0.68µF 1210 250V Ceramic Cap	4.7µF 1210 100V x 6 Parallel Ceramic Cap	2200pF 2211 5KV Ceramic Cap	1000pF 2211 5KV Ceramic Cap	2200pF 2211 3KV x 6 parallel Ceramic Cap	-	330pF 2211 3KV Ceramic Cap	Commom Choke A10 2.0mH ±35%	4.7µH

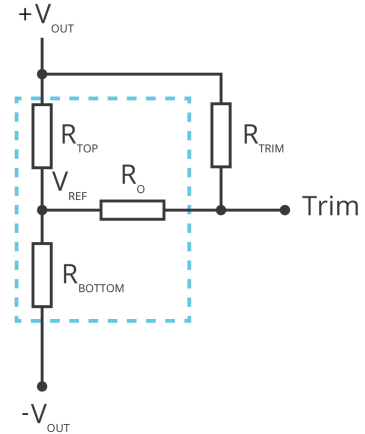
APPLICATION NOTES

Figure 6

Trim up



Trim down



$$R_{TRIM} = \frac{a \cdot R_{BOTTOM}}{R_{BOTTOM} - a} - R_O \quad a = \frac{V_{REF}}{V_{OUT} - V_{REF}} \cdot R_{TOP}$$

Formula for Trim up

$$R_{TRIM} = \frac{a \cdot R_{TOP}}{R_{TOP} - a} - R_O \quad a = \frac{V_{OUT} - V_{REF}}{V_{REF}} \cdot R_{BOTTOM}$$

Formula for Trim down

Table 5

V_{OUT} (Vdc)	R_{TOP} (k Ω)	R_{BOTTOM} (k Ω)	R_O (k Ω)	V_{REF} (V)
12	38	10	68	2.5
24	86	10	76.8	2.5
48	182	10	80.6	2.5
54	206.1	10	82	2.5

Note: Value for R_{TOP} , R_{BOTTOM} , R_O , and V_{REF} refer to Table 6 (fixed internal values).

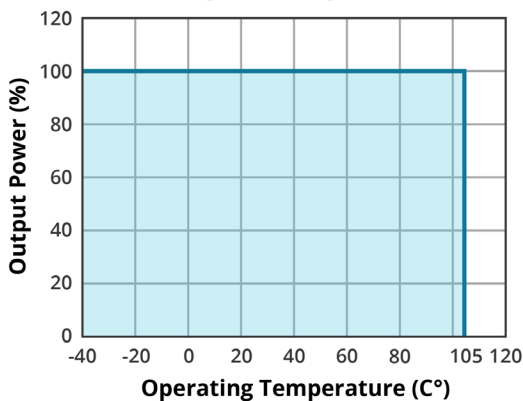
R_{TRIM} : Trim resistance

a: User-defined parameter, no actual meanings

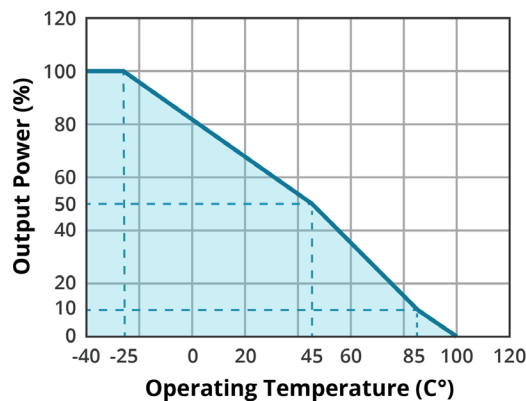
V_{OUT} : Target output voltage

DERATING CURVES

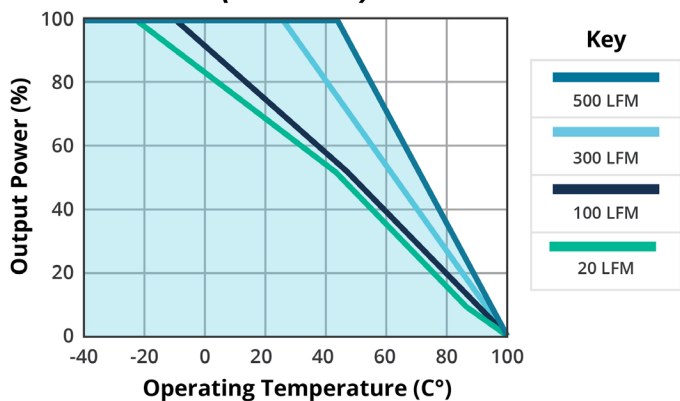
TEMPERATURE DERATING CURVE
baseplate temperature



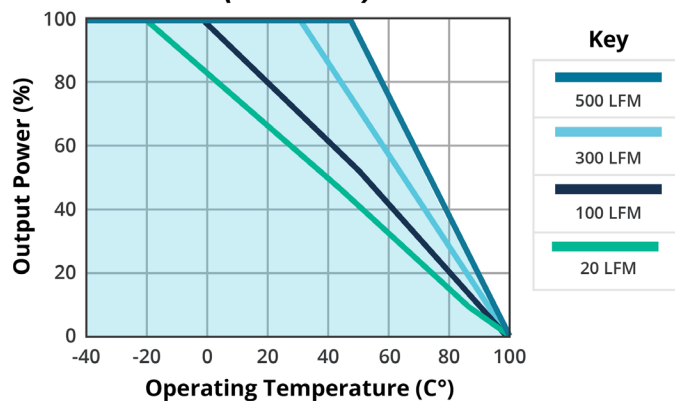
TEMPERATURE DERATING CURVE
without heatsink



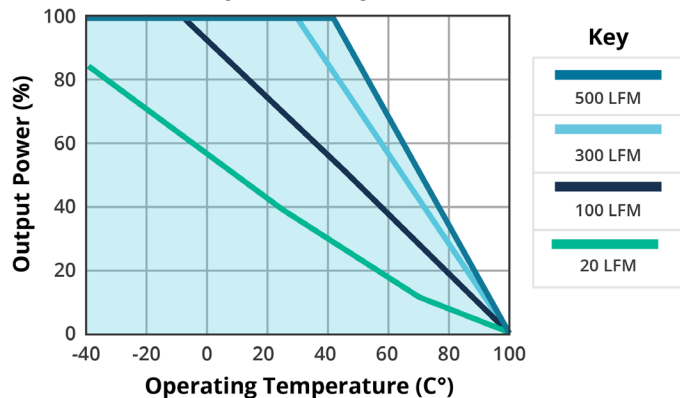
TEMPERATURE DERATING CURVE
PSC150W-110-S12
(at 110 Vin)



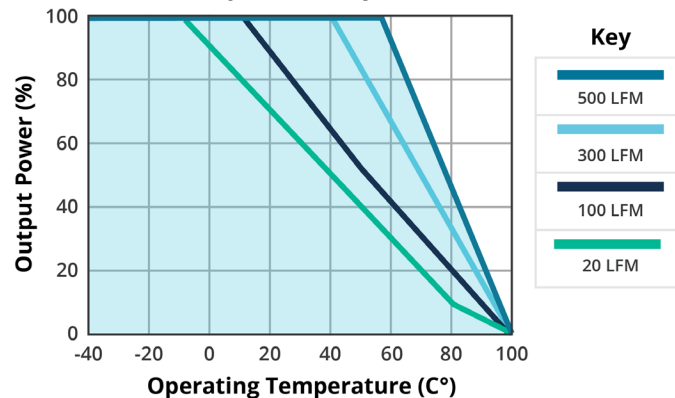
TEMPERATURE DERATING CURVE
PSC150W-110-S24
(at 110 Vin)



TEMPERATURE DERATING CURVE
PSC150W-110-S48
(at 110 Vin)

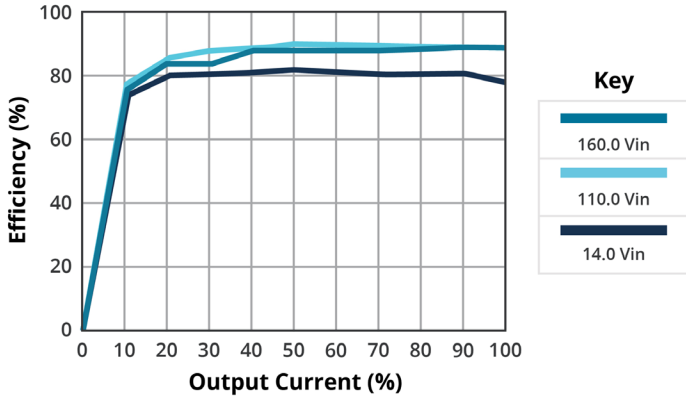


TEMPERATURE DERATING CURVE
PSC150W-110-S54
(at 110 Vin)

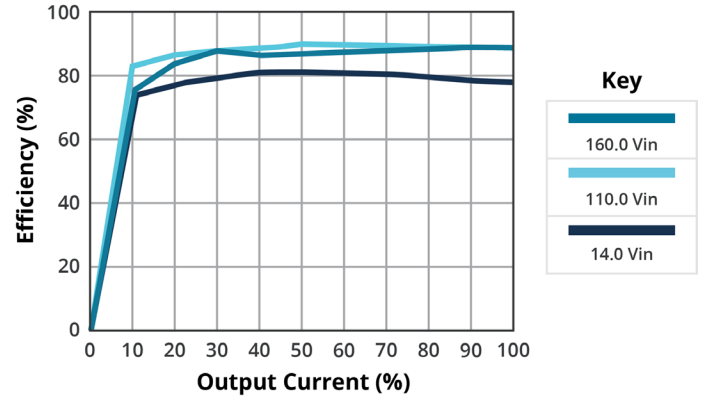


EFFICIENCY CURVES

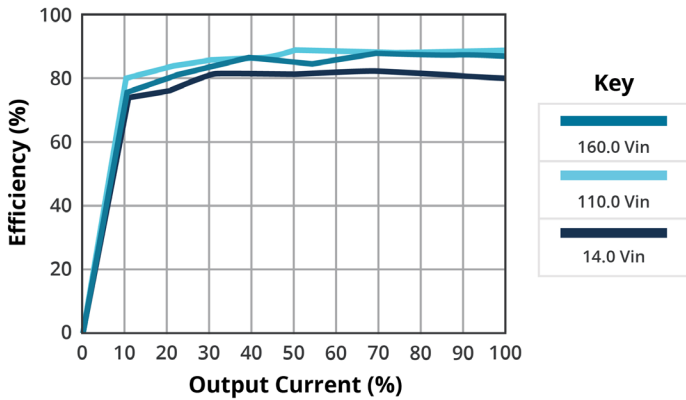
EFFICIENCY VS OUTPUT LOAD
(at 25°C, Vin = 110V, Vo = 12V, Io = 12.5A)



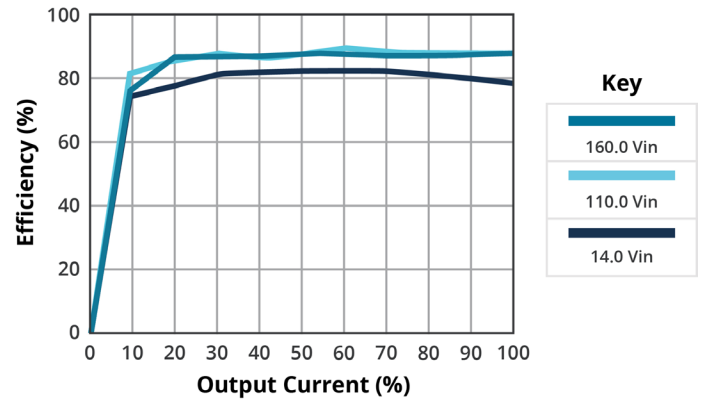
EFFICIENCY VS OUTPUT LOAD
(at 25°C, Vin = 110V, Vo = 24V, Io = 6.25A)



EFFICIENCY VS OUTPUT LOAD
(at 25°C, Vin = 110V, Vo = 48V, Io = 3.125A)



EFFICIENCY VS OUTPUT LOAD
(at 25°C, Vin = 110V, Vo = 54V, Io = 2.778A)



REVISION HISTORY

rev.	description	date
1.0	initial release	02/02/2024

The revision history provided is for informational purposes only and is believed to be accurate.



CUI INC

a bel group

Headquarters
20050 SW 112th Ave.
Tualatin, OR 97062
800.275.4899

Fax 503.612.2383
cui.com
techsupport@cui.com

CUI offers a two (2) year limited warranty. Complete warranty information is listed on our website.

CUI reserves the right to make changes to the product at any time without notice. Information provided by CUI is believed to be accurate and reliable. However, no responsibility is assumed by CUI for its use, nor for any infringements of patents or other rights of third parties which may result from its use.

CUI products are not authorized or warranted for use as critical components in equipment that requires an extremely high level of reliability. A critical component is any component of a life support device or system whose failure to perform can be reasonably expected to cause the failure of the life support device or system, or to affect its safety or effectiveness.