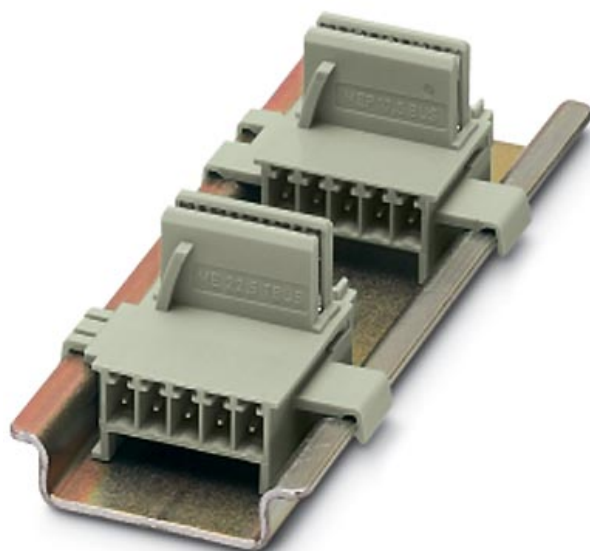


Please note that the data given here has been taken from the online catalog. For comprehensive information and data, please refer to the user documentation at <http://www.download.phoenixcontact.com>. The General Terms and Conditions of Use apply to Internet downloads.

► Extract from the online catalog



Bus connector, gold-plated contacts, for mounting on DIN rail, 5-pos.

Order No.	2713645
Ord designation	ME 17,5 TBUS 1,5/ 5-ST-3,81 KMGY
EAN	4017918914509
Pack	50 Pcs.
Customs tariff	85369010
Weight/Piece	0,00502 KG
Catalog page information	Page 134 (NTK-2005)

► Product notes

WEEE/RoHS-compliant since: 04/01/2005



IMPORTANT : This date is valid for Customers in Germany only. Date Format is MM/DD/YYYY. Please contact your local in-country Phoenix Contact location or designated business partner for a Logistics Compliant date in your area. In order to guarantee delivery of RoHS-Compliant product, please purchase Phoenix Contact parts from authorized Phoenix Contact representatives and distributors.

► Technical data



General

Color	gray
-------	------

Technical data

Connection in acc. with standard	CUL
Nominal voltage U_N	150 V
Nominal current I_N	8 A
Indicator1	CUL1
Inflammability class acc. to UL 94	V0

► Certificates / Approvals

CUL

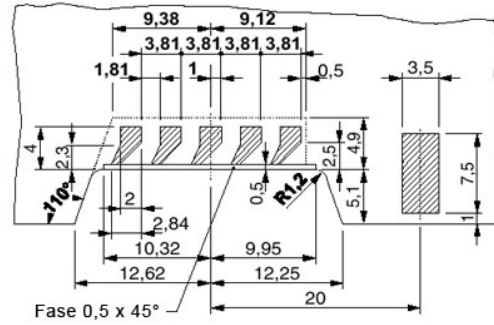
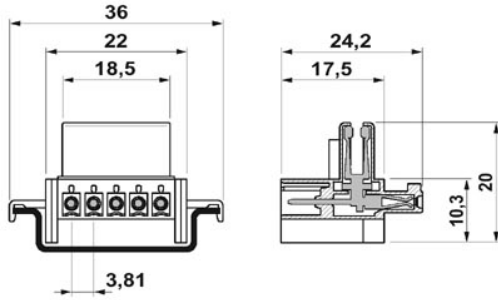
Nominal voltage U_N	150 V
Nominal current I_N	8 A

UL

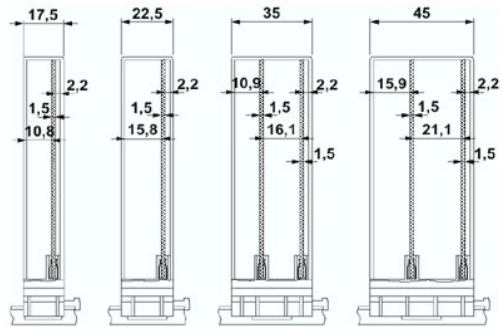
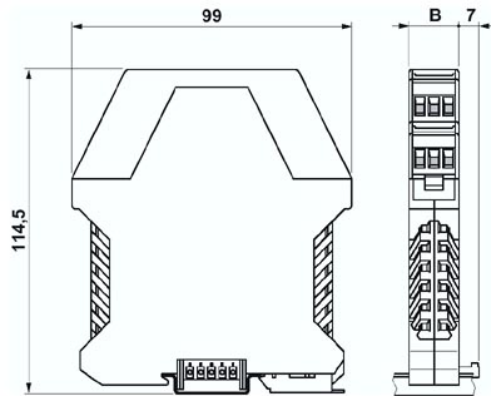
Nominal voltage U_N	150 V
Nominal current I_N	8 A

► Drawings

Dimensioned drawing



Detailed dimensional drawing of the mounting rail bus connector contact pads



► Address

PHOENIX CONTACT GmbH & Co. KG

Flachsmarktstr. 8

32825 Blomberg

Germany

Phone +49 5235 3 00

Fax +49 5235 3 41200

<http://www.phoenixcontact.com>

Phoenix Contact

Technical modifications reserved;