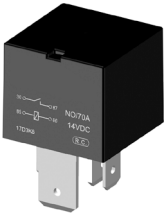


Automotive Relay

multicomp PRO

**RoHS
Compliant**



Features

- General purpose automotive relay
- Dimensions: 26.6mm × 26mm × 22.7mm
- 70A of switching capability
- Contact: 1 Form A
- Available for Plastic sealed and unsealed type
- Quick Connect Terminals and PCB Terminals
- 125°C of operating ambient temperature

Specification

Contact Data		
Contact Form	1 Form A	
Contact Material	Ag Alloy	
Contact Rating	Resistive: NO:70A/14V DC NO:40A/28V DC Inductive: Make150A/14V DC, break 50A/14V DC Lamp: Surge 200A/14V DC, break40A/14V DC	
Contact Resistance	Max.50mΩ (24V DC 1A)	
Load	Max. Switching Voltage	Refer to 'Max.switching power curve'
	Max. Switching Current	Make (NO,lamp) 200A, Break (steady state) 70A (res,13.5V)
	Max. Continuous Current	70A (23°C), 50A (85°C), 30A (125°C)
	Min. Switching Load	1A 6V DC
Life	Electrical	100,000 Cycles
	Mechanical	1,000,000 Cycles (300 cycles/minutes)
Coil Data		
Nominal Coil Power	1.6W(12V), 1.8W(24V)	
Nominal Coil Power (With Resistor)	1.8W(12V), 2.0W(24V)	
General Data		
Insulation Resistance	Min.100MΩ 500V DC	
Dielectric Strength	Between open contacts	550V AC,50/60Hz,1 min
	Between coil and contacts	
Operate Time	Max. 10ms	
Release Time	Max. 10ms	
	Max.20ms (With Diode)	
Operating Temperature	-40°C to +125°C	
Humidity	5-95%RH, 50°C	
Shock Resistanc	294m/s ²	
Vibration Resistance	5Hz° 22.3Hz, 10mm Double Amplitude 22.3Hz° 500Hz, 98m/s ² (10g)	
Weight	Approximately 32g (Without Bracket), Approximately 35g (Bracket)	
Mechanic	Cover Strength: 200N (Pull/Press) Terminal Strength: 100N (Pull/Press) Terminal Bending: 10N (Each Direction)	

Note:Data shown are of initial value

Newark.com/multicomp-pro
Farnell.com/multicomp-pro
sg.element14.com/b/multicomp-pro

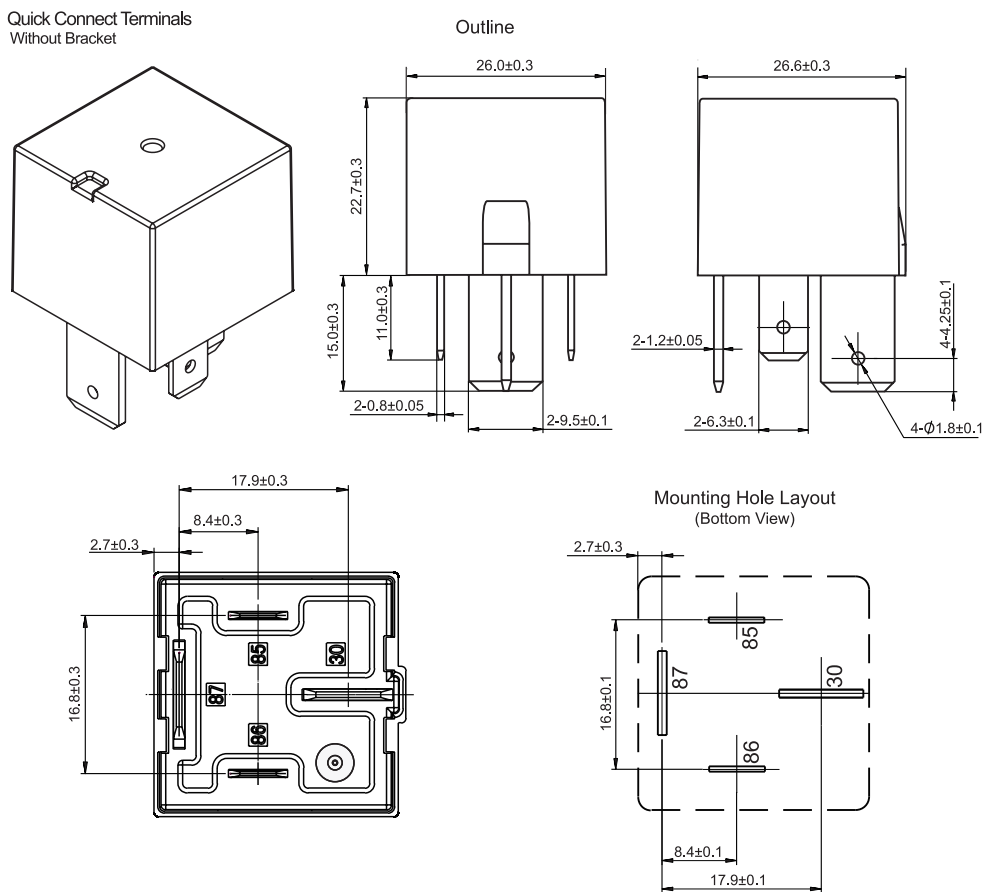
multicomp PRO

Coil Data

Ambient Temperature: 23°C

Model	Nominal Voltage V DC	Coil Resistance $\Omega \pm 10\%$	Parallel Resistance $\Omega \pm 5\%$	Equivalent Resistance $\Omega \pm 10\%$	Operate Voltage $\leq V$ DC	Release Voltage $\geq V$ DC	Coil Power W
MPCMA36N-DC12V-A-R	12	90	--	--	7.8	1.2	1.6
MPCMA36N-DC24V-A-R	24	320	--	--	16	2.4	1.8
MPCMA36N-S-DC12V-A-R	12	90	680	79.5	7.8	1.2	
MPCMA36N-S-DC24V-A-R	24	320	2700	286	16	2.4	2

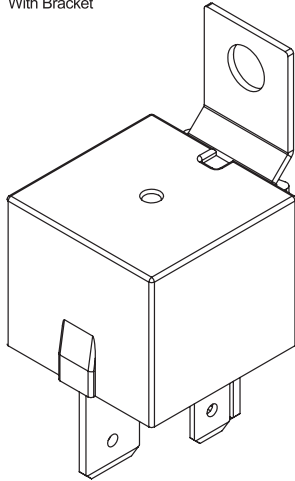
Outline, Wiring Diagram, Mounting Hole Layout



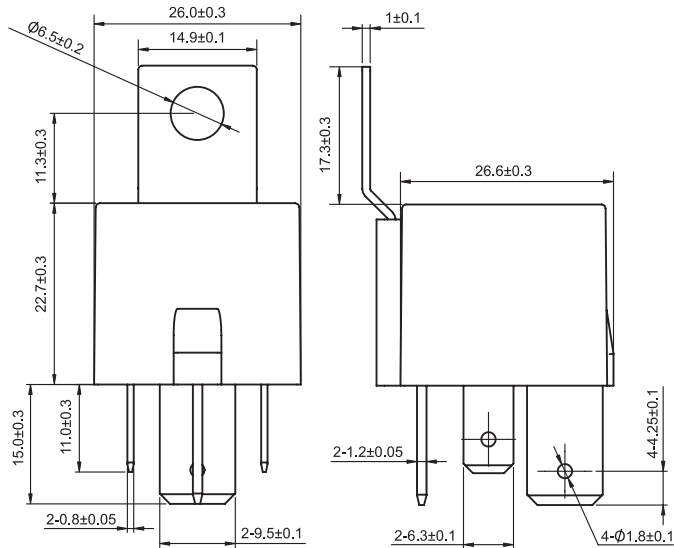
Dimensions : Millimetres

Automotive Relay

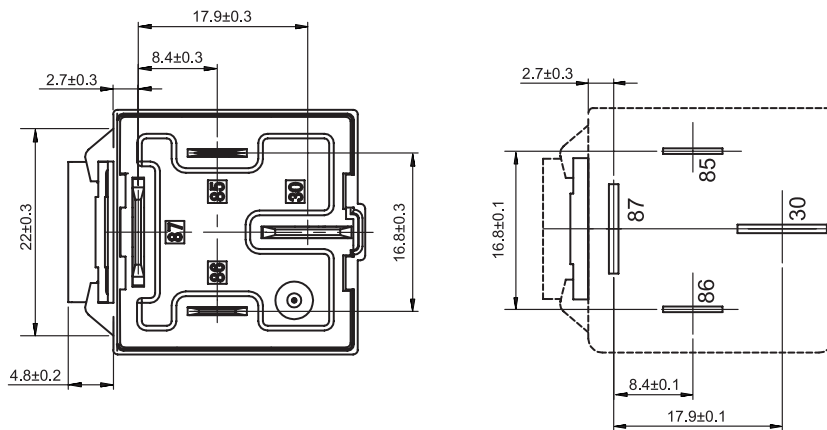
Quick Connect Terminals
With Bracket



Outline

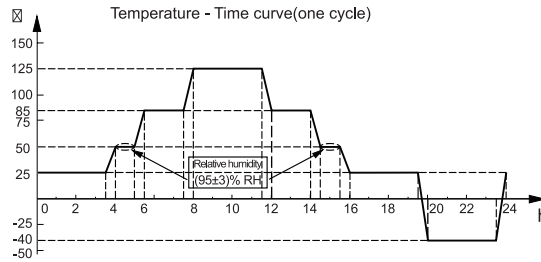


Mounting Hole Layout
(Bottom View)

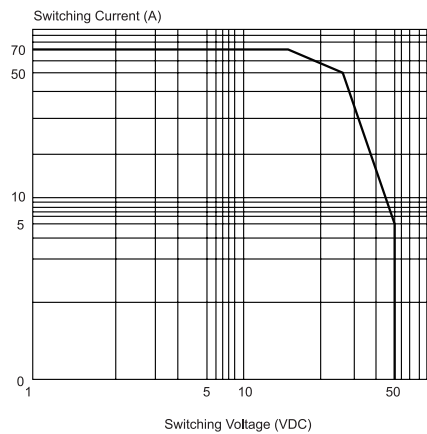


Reference Data

Temperature curve for electrical endurance test



Max. switching power curve



Part Number Table

Description	Part Number
Automotive Relay, Quick Connect Type, NO, 1.8W, 70A, Unsealed	MPCMA36N-DC12V-A-R
Automotive Relay, Quick Connect Type, NO, 2.0W, 70A, Unsealed	MPCMA36N-DC24V-A-R
Automotive Relay, Quick Connect Type, NO, 1.8W, 70A, Sealed	MPCMA36N-S-DC12V-A-R
Automotive Relay, Quick Connect Type, NO, 2.0W, 70A, Sealed	MPCMA36N-S-DC24V-A-R

Important Notice : This data sheet and its contents (the "Information") belong to the members of the AVNET group of companies (the "Group") or are licensed to it. No licence is granted for the use of it other than for information purposes in connection with the products to which it relates. No licence of any intellectual property rights is granted. The Information is subject to change without notice and replaces all data sheets previously supplied. The Information supplied is believed to be accurate but the Group assumes no responsibility for its accuracy or completeness, any error in or omission from it or for any use made of it. Users of this data sheet should check for themselves the Information and the suitability of the products for their purpose and not make any assumptions based on information included or omitted. Liability for loss or damage resulting from any reliance on the Information or use of it (including liability resulting from negligence or where the Group was aware of the possibility of such loss or damage arising) is excluded. This will not operate to limit or restrict the Group's liability for death or personal injury resulting from its negligence. Multicomp Pro is the registered trademark of Premier Farnell Limited 2019.