

EV Charging Connector

multicomp^{PRO}

**RoHS
Compliant**



Specification

Waterproof Rate : IP55

Electrical Characteristics

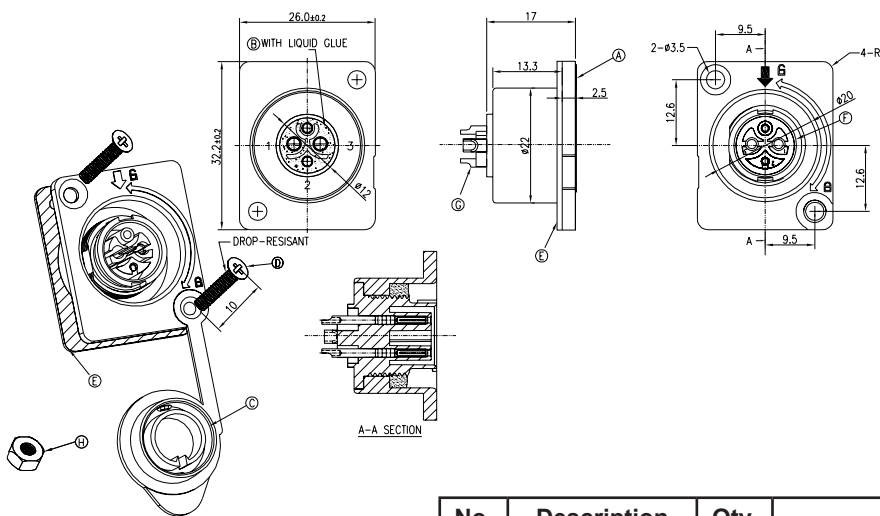
Temperature Range : -20°C to +80°C

Current Rating : 5+10A

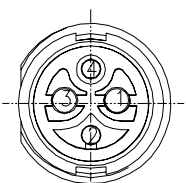
Torque Screwing : 3.5kgf Max.

Life Test : 5000 Cycles

Diagram



PIN OUT



PIN ASSIGNMENTS
FRONT VIEW

No.	Description	Qty.	Material	Plating & Color
A	Housing	1	PA66+30%GF	Black
B	Liquid Glue		N/A	
C	Dust Cap		Hytel 4056	
D	Screw	2	Stainless Steel	N/A
E	Gasket	1	EPDM Adhesive	Black
F	Panel Body		PA66+30%GF	
G	Female Pin	4	Phosphor Bronze	1u" Gold Plating Over Nickel Plating
H	Nut	2	Stainless Steel	N/A

Part Number Table

Description	Part Number
Power Socket, 5A+10A, 2+2 Pins, IP55	MP013742

Dimensions : Millimetres

Important Notice : This data sheet and its contents (the "Information") belong to the members of the AVNET group of companies (the "Group") or are licensed to it. No licence is granted for the use of it other than for information purposes in connection with the products to which it relates. No licence of any intellectual property rights is granted. The Information is subject to change without notice and replaces all data sheets previously supplied. The Information supplied is believed to be accurate but the Group assumes no responsibility for its accuracy or completeness, any error in or omission from it or for any use made of it. Users of this data sheet should check for themselves the Information and the suitability of the products for their purpose and not make any assumptions based on information included or omitted. Liability for loss or damage resulting from any reliance on the Information or use of it (including liability resulting from negligence or where the Group was aware of the possibility of such loss or damage arising) is excluded. This will not operate to limit or restrict the Group's liability for death or personal injury resulting from its negligence. Multicomp Pro is the registered trademark of Premier Farnell Limited 2019.

Newark.com/multicomp-pro
Farnell.com/multicomp-pro
sg.element14.com/b/multicomp-pro

multicomp^{PRO}