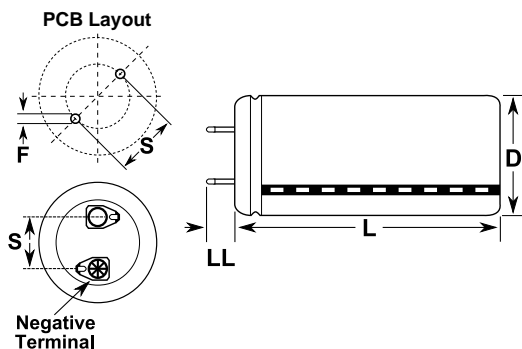


KEMET Part Number: HVZ0E107NF-LT
(USCHVZ0E107NU0)

Capacitor, Double-Layer, 100 F, 2.7 VDC@60C, 2 Pin, Snap-in



| Dimensions (mm) | | |
|-----------------|-----------|-----------|
| Symbol | Dimension | Tolerance |
| D | 25 | +1 |
| L | 50 | +2 |
| S | 10 | +/-0.5 |
| F | 2 | +/-0.1 |

| Packaging Specifications | |
|--------------------------|------|
| Package Kind: | Bulk |
| Package Quantity: | 200 |

| General Information | |
|------------------------|---|
| Supplier: | KEMET |
| Application: | Energy Back-up Capacitors |
| Part Type Description: | Radial Cylindrical Double Layer Capacitor |
| Style: | Snap-in |
| Lead Type: | 2 Pin |
| RoHS: | Yes |

| Specifications | |
|-------------------------|------------------|
| Capacitance: | 100 F |
| Voltage: | 2.7 VDC |
| Tolerance: | +/-30% |
| Rated Temperature: | 60C |
| Temperature Range: | -25/+60C |
| Leakage Condition: | uAmps |
| Current/Ripple Current: | 81 mAmps (30min) |
| Resistance/ESR: | 30 mOhms (1kHz) |